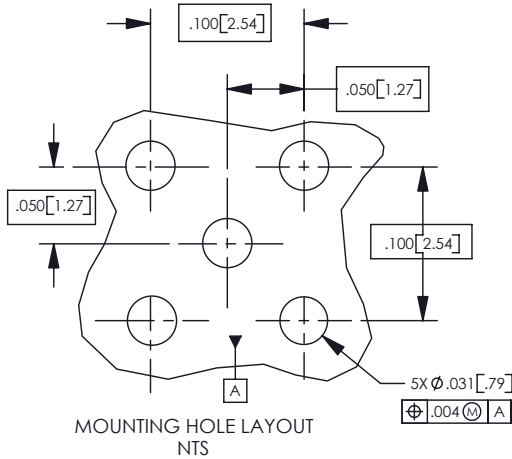
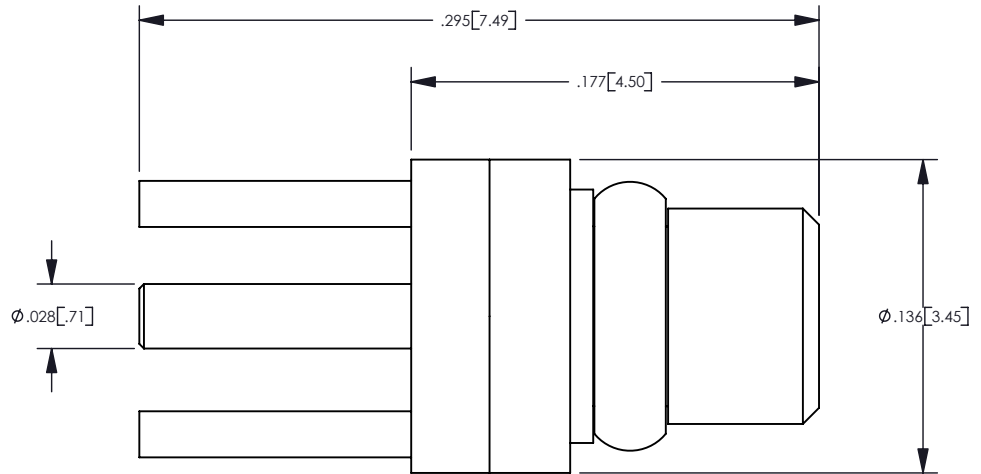
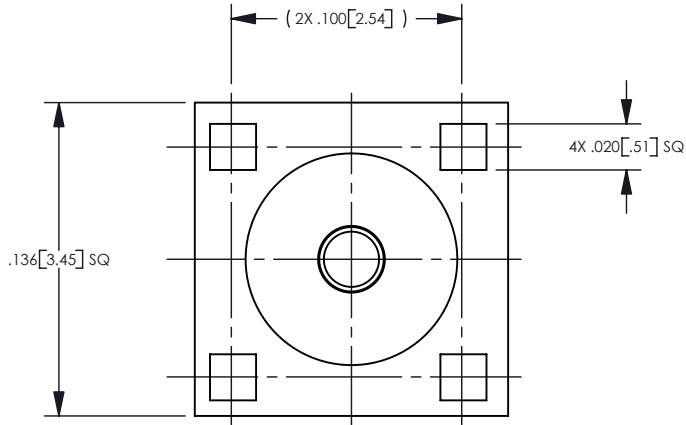
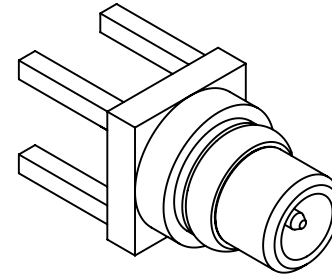


NOTES: UNLESS OTHERWISE SPECIFIED.

1. FOR GENERAL SERIES SPECIFICATIONS SEE SD47-0000
2. MATERIALS:
 BODY AND CONTACT: BRASS PER ASTM B16
 INSULATOR: PTFE PER ASTM D1710
3. FINISHES:
 BODY: .000015 MIN GOLD PER ASTM B4888 OVER
 .000100 MIN COPPER PER ASTM B734 (RoHs)
 CONTACT: .000030 MIN GOLD PER ASTM B4888 OVER
 .000100 MIN COPPER PER ASTM B734 (RoHs)
4. ELECTRICAL SPECIFICATIONS:
 IMPEDANCE: 50 OHMS
 FREQUENCY: DC - 6 GHz

REV	DESCRIPTION	BY DATE	APPD
A	EWRO6-413	DCam 9/12/06	DCam



CATALOG No. 470-040-0040J

PER ASME Y14.5M-1994 UNLESS OTHERWISE SPECIFIED: DIMENSIONS ARE IN INCHES [MM] TOLERANCES: DECIMAL: XX ± .01 [0.3] .XXX ± .005 [0.13] .XXXX ± .XXXX ANGLES: ± 2° SCALE: 12:1				NORTHROP GRUMMAN Winchester Electronics 62 Barnes Industrial Road North Wallingford, CT 06492	
CUSTOMER DRAWING				MMCX PCB STRAIGHT JACK	
DRAWN DCam	DATE 09/12/06	APPROVED DCam	DATE 09/12/06	A SD470-040-0040J SHT 1 OF 1 REV A	
APPROVED MA	DATE 09/13/06	APPROVED BL	DATE 09/13/06		