

2.5 x 1.0mm SMD SURGE PROTECTOR ARRAY

ABSP25



RoHS
Compliant



2.5 x 1.0 x 0.58mm

FEATURES:

- 4 surge protectors in a package
- Outstanding ESD protection
- Very low leakage current
- Bi-directional
- Extremely low capacitance for high speed data transmission applications

APPLICATIONS:

- High speed data ports
- USB 2.0, 3.0
- IEEE 1394
- HDMI
- DVI
- High speed ethernet

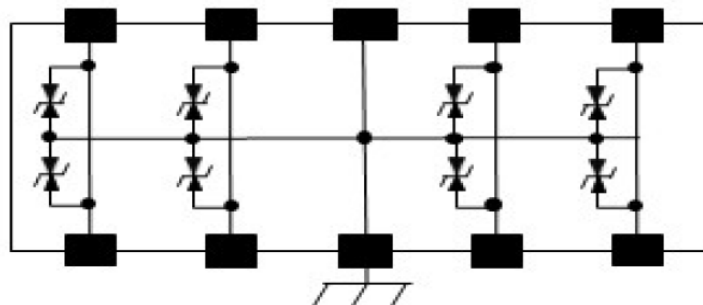
STANDARD SPECIFICATIONS:

ABRACON P/N:	ABSP25
Operating Temperature:	-55 °C to +125 °C
Storage Temperature:	-40 °C to +85 °C

Capacitance	Leakage Current	Peak Voltage	Clamping Voltage	Rated Voltage
0.2pF typ. 0.3pF max between I/O pins 0.3 pF (typ) / 0.4 p.F max between any I/O pin and ground	1 μ A max.	250 (typ) / 500 (max)	30V typ. 100V max.	D.C. 12V

Capacitance:	The capacitance value shall be measured under the conditions specified below: Frequency: 1MHz \pm 10%, Voltage: 1Vrms \pm 0.2Vrms, Temperature: 25°C \pm 2°C
Leakage Current:	The leakage current value shall be measured under the conditions specified below: Voltage: 6Vdc, Temperature: 25°C \pm 2°C
Peak Voltage:	The peak voltage value shall be measured under the following conditions: ESD test conditions: IEC61000-4-2, 8kV contact discharge.
Clamping Voltage:	The clamping voltage value shall be measured at 30ns after initiation of pulse and measured under the conditions specified below: ESD test conditions: IEC61000-4-2, 8kV contact discharge.

CIRCUIT CONFIGURATION:



2.5 x 1.0mm SMD SURGE PROTECTOR ARRAY

ABSP25



RoHS
Compliant



2.5 x 1.0 x 0.58mm

ELECTRICAL PERFORMANCE: - continued:

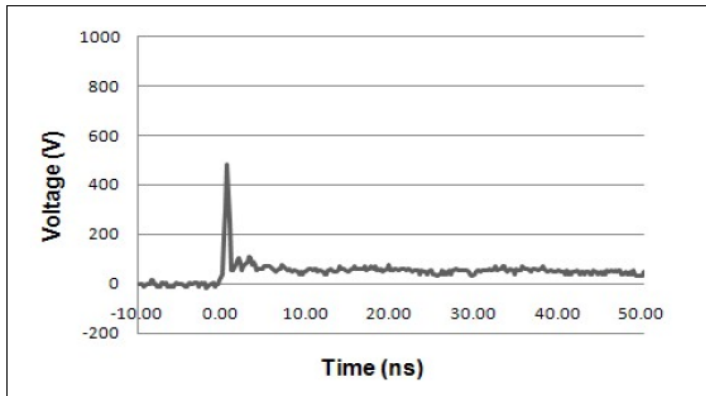


Figure 1. ESD Suppression Voltage Waveform

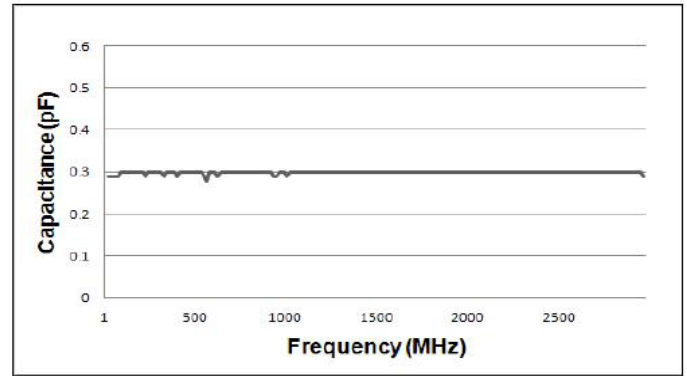


Figure 2. Capacitance

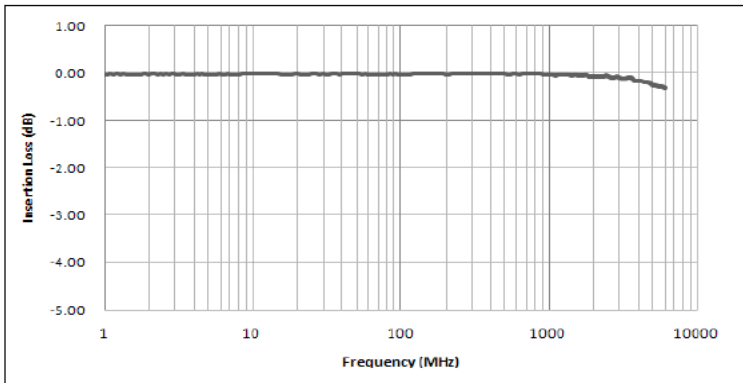


Figure 3. Insertion Loss Diagram

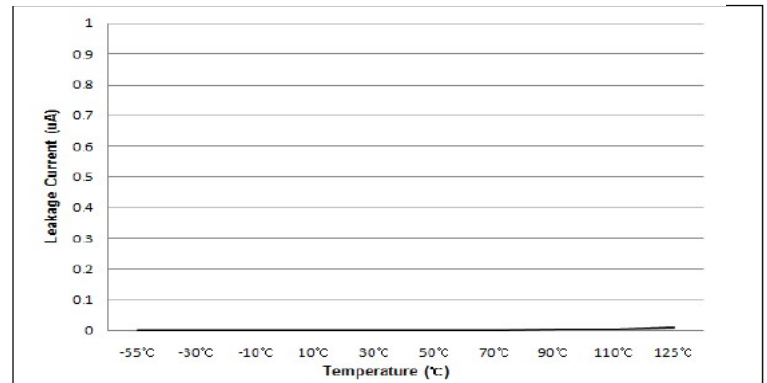


Figure 4. Change in Leakage Current according to temperature

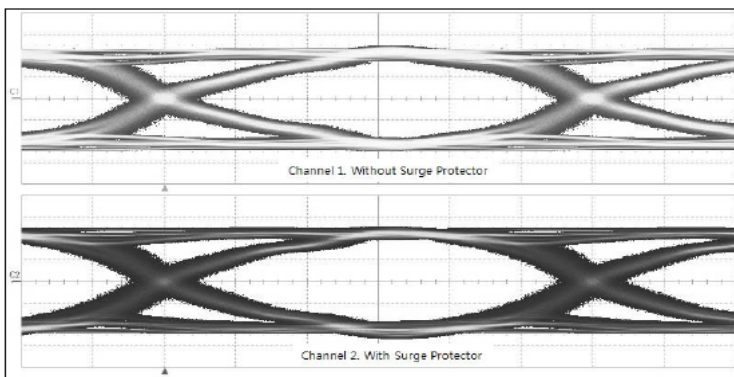


Figure 5. Eye Diagram

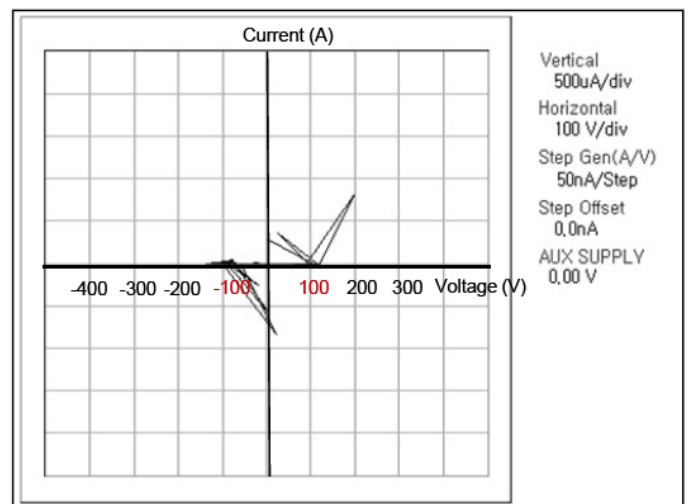


Figure 6. I-V Curve Characteristics

2.5 x 1.0mm SMD SURGE PROTECTOR ARRAY

ABSP25

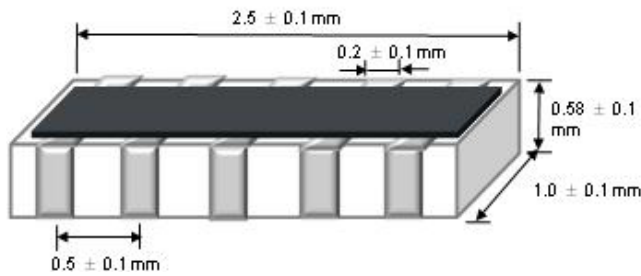


RoHS
Compliant

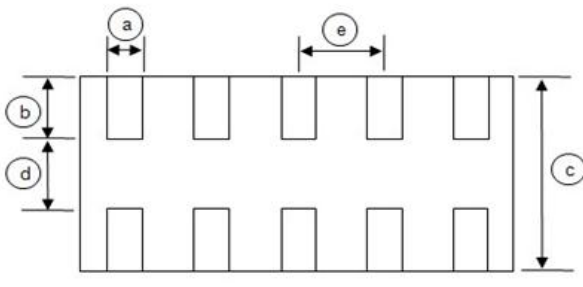


2.5 x 1.0 x 0.58mm

OUTLINE DRAWING:



Recommended Land Pattern

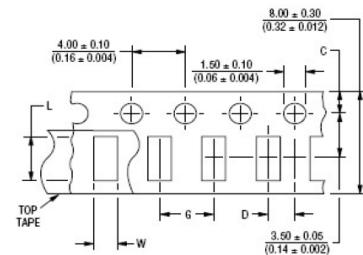


	a	b	c	d	e
Size (mm)	0.20	0.575	1.55	0.4	0.50

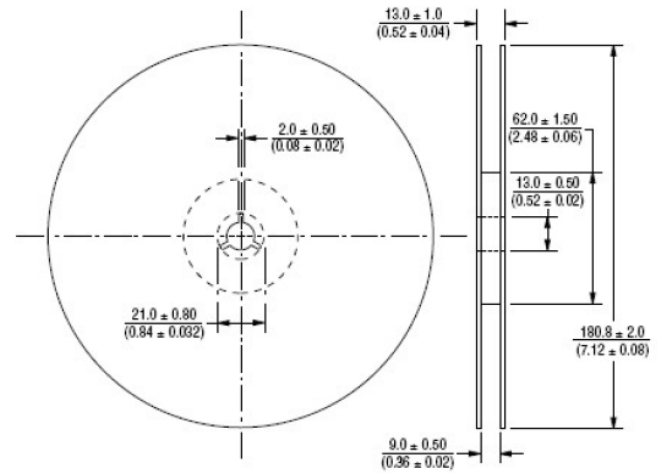
Dimensions: mm

TAPE & REEL:

T= tape and reel:
(3,000 pcs per reel)

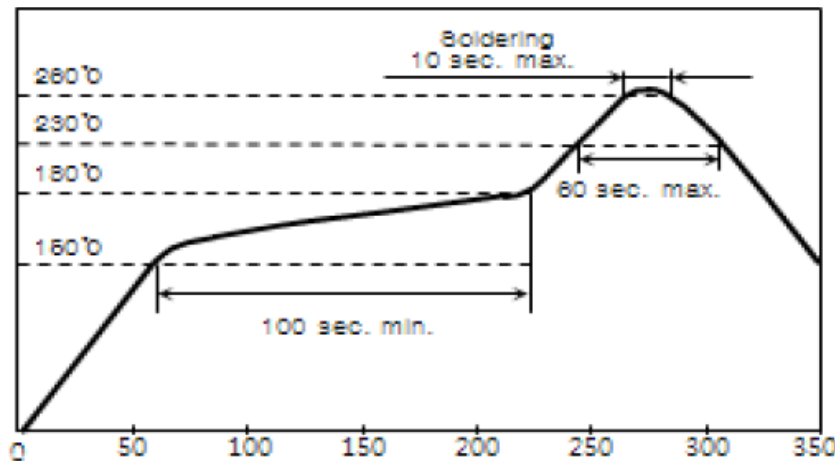


	C	D	L	W	G
Size (mm)	1.75±0.10	2.00±0.05	2.70±0.05	1.23±0.05	4.00±0.10



Dimensions: mm

REFLOW PROFILE:



NOTE: Abracon manufactured products are intended for general commercial and industrial use. For applications requiring high reliability and/or presenting extreme operating environment, written consent & authorization from Abracon is required.

ABRACON IS
ISO9001:2008
CERTIFIED



ABRACON
CORPORATION

Visit www.abracon.com for Terms & Conditions of Sale **Revised: 03.23.10**
30332 Esperanza, Rancho Santa Margarita, California 92688
tel 949-546-8000 | fax 949-546-8001 | www.abracon.com