

# Low Input Current, High Gain Optocouplers

## Technical Data

|                  |                  |
|------------------|------------------|
| <b>6N139</b>     | <b>6N138</b>     |
| <b>HCPL-0701</b> | <b>HCPL-0700</b> |
| <b>HCNW139</b>   | <b>HCNW138</b>   |

### Features

- **High Current Transfer Ratio**  
– 2000% Typical (4500% Typical for HCNW139/138)
- **Low Input Current Requirements** – 0.5 mA
- **TTL Compatible Output** – 0.1 V  $V_{OL}$  Typical
- **Performance Guaranteed over Temperature** 0°C to 70°C
- **Base Access Allows Gain Bandwidth Adjustment**
- **High Output Current** – 60 mA
- **Safety Approval**  
UL Recognized – 2500 V rms for 1 Minute and 5000 V rms\* for 1 Minute per UL 1577  
CSA Approved  
VDE 0884 Approved with  $V_{IORM} = 1414$  V peak for HCNW139 and HCNW138
- **Available in 8-Pin DIP or SOIC-8 Footprint or Widebody Package**
- **MIL-STD-1772 Version Available (HCPL-5700/1)**

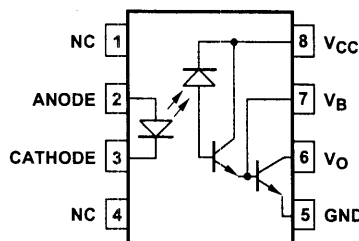
### Applications

- **Ground Isolate Most Logic Families** – TTL/TTL, CMOS/TTL, CMOS/CMOS, LSTTL/TTL, CMOS/LSTTL
- **Low Input Current Line Receiver**
- **High Voltage Insulation (HCNW139/138)**
- **EIA RS-232C Line Receiver**
- **Telephone Ring Detector**
- **117 V ac Line Voltage Status Indicator** – Low Input Power Dissipation
- **Low Power Systems** – Ground Isolation

### Description

These high gain series couplers use a Light Emitting Diode and an integrated high gain photodetector to provide extremely high current transfer ratio between input and output. Separate pins for the photodiode and output stage result in TTL compatible saturation voltages and high speed operation. Where desired the  $V_{CC}$  and  $V_O$  terminals may be tied together to achieve conventional photodarlington operation. A base access terminal allows a gain bandwidth adjustment to be made.

### Functional Diagram



| TRUTH TABLE |       |
|-------------|-------|
| LED         | $V_O$ |
| ON          | LOW   |
| OFF         | HIGH  |

**ORIGINAL  
ONLY WHEN STAMPED  
IN RED**

\*5000 V rms/1 minute rating is for HCNW139/138 and Option 020 (6N139/138) products only. A 0.1  $\mu$ F bypass capacitor connected between pins 8 and 5 is recommended.

**CAUTION:** It is advised that normal static precautions be taken in handling and assembly of this component to prevent damage and/or degradation which may be induced by ESD.

The 6N139, HCPL-0701, and CNW139 are for use in CMOS, LSTTL or other low power applications. A 400% minimum current transfer ratio is guaranteed over 0 to 70°C operating range for only 0.5 mA of LED current.

The 6N138, HCPL-0700, and HCNW138 are designed for use mainly in TTL applications. Current Transfer Ratio (CTR) is 300% minimum over 0 to 70°C for an LED current of 1.6 mA

(1 TTL Unit load ). A 300% minimum CTR enables operation with 1 TTL Load using a 2.2 kΩ pull-up resistor.

Selection for lower input current down to 250 μA is available upon request.

The HCPL-0701 and HCPL-0700 are surface mount devices packaged in an industry standard SOIC-8 footprint.

The SOIC-8 does not require “through holes” in a PCB. This package occupies approximately one-third the footprint area of the standard dual-in-line package. The lead profile is designed to be compatible with standard surface mount processes.

The HCNW139 and HCNW138 are packaged in a widebody encapsulation that provides creep-age and clearance dimensions suitable for safety approval by regulatory agencies worldwide.

**Selection Guide**

| 8-Pin DIP<br>(300 Mil)       |                                     | Small Outline SO-8                    |                                     | Widebody<br>Package<br>(400 mil) | Minimum<br>Input ON<br>Current<br>(I <sub>F</sub> ) | Minimum<br>CTR | Absolute<br>Maxi-<br>mum<br>V <sub>CC</sub> | Hermetic   |
|------------------------------|-------------------------------------|---------------------------------------|-------------------------------------|----------------------------------|---|----------------|---|--|
| Single<br>Channel<br>Package | Dual<br>Channel<br>Package<br>HCPL- | Single<br>Channel<br>Package<br>HCPL- | Dual<br>Channel<br>Package<br>HCPL- | Single<br>Channel<br>Package     |   |                |   | Single and<br>Dual<br>Channel<br>Packages<br>HCPL-                                       |
| 6N139                        | 2731 <sup>[1]</sup>                 | 0701                                  | 0731                                | HCNW139                          | 0.5 mA  | 400%           | 18 V  |  |
| 6N138                        | 2730 <sup>[1]</sup>                 | 0700                                  | 0730                                | HCNW138                          | 1.6 mA  | 300%           | 7 V   |  |
| HCPL-4701 <sup>[1]</sup>     | 4731 <sup>[1]</sup>                 | 070A <sup>[1]</sup>                   | 073A <sup>[1]</sup>                 |                                  | 40 μA   | 800%           | 18 V  |  |
|                              |                                     |                                       |                                     |                                  | 0.5 mA  | 300%           | 20 V  | 5701 <sup>[1]</sup><br>5700 <sup>[1]</sup><br>5731 <sup>[1]</sup><br>5730 <sup>[1]</sup> |

**Note:**

1. Technical data are on separate Agilent publications.

**ORIGINAL  
ONLY WHEN STAMPED  
IN RED**

**Ordering Information**

Specify Part Number followed by Option Number (if desired).

Example:

6N139#XXX

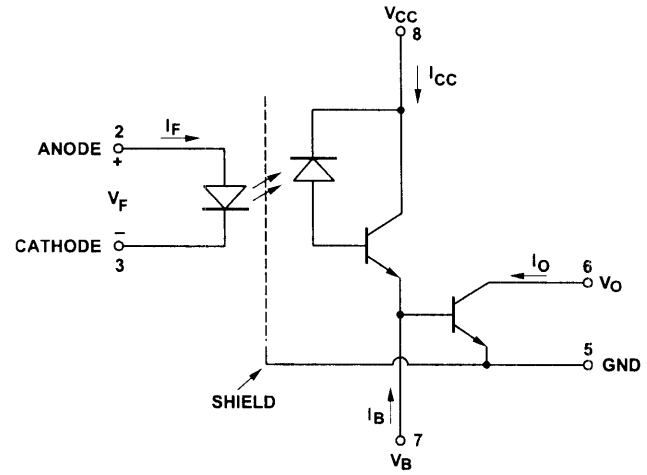
- 020 = 5000 V rms/1 Minute UL Rating Option\*
- 300 = Gull Wing Surface Mount Option†
- 500 = Tape and Reel Packaging Option

Option data sheets available. Contact your Agilent sales representative or authorized distributor for information.

\*For 6N139 and 6N138 only.

†Gull wing surface mount option applies to through hole parts only.

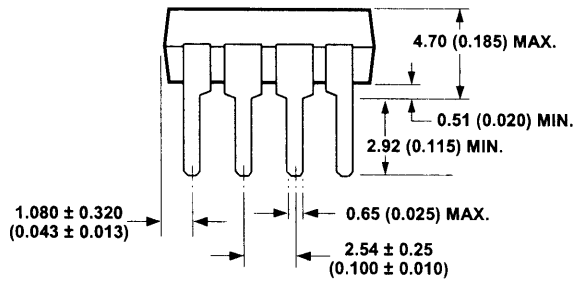
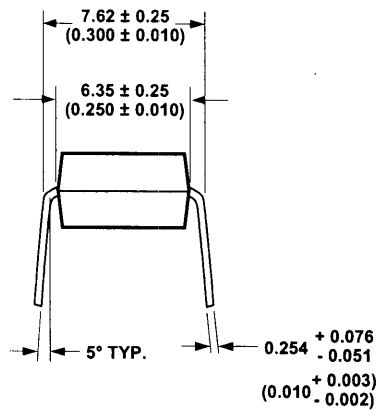
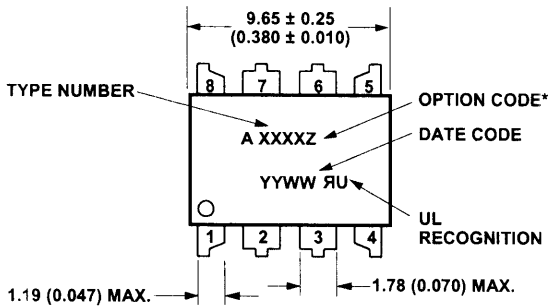
**Schematic**



**ORIGINAL  
ONLY WHEN STAMPED  
IN RED**

**Package Outline Drawings**

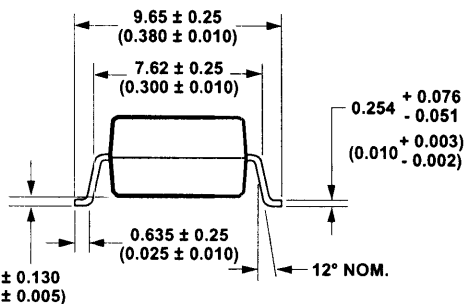
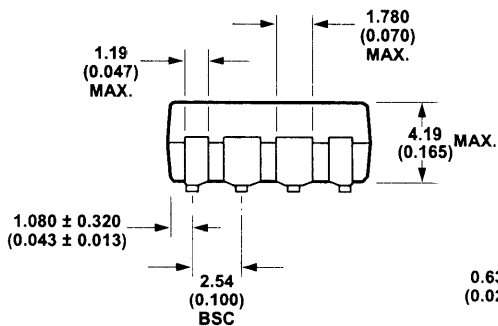
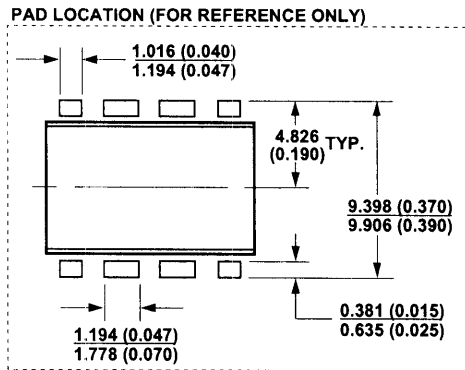
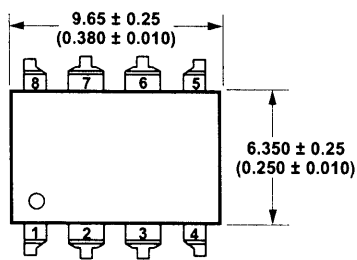
**8-Pin DIP Package (6N139/6N138)\*\***



DIMENSIONS IN MILLIMETERS AND (INCHES).  
\*MARKING CODE LETTER FOR OPTION NUMBERS  
"L" = OPTION 020  
OPTION NUMBERS 300 AND 500 NOT MARKED.

\*\*JEDEC Registered Data.

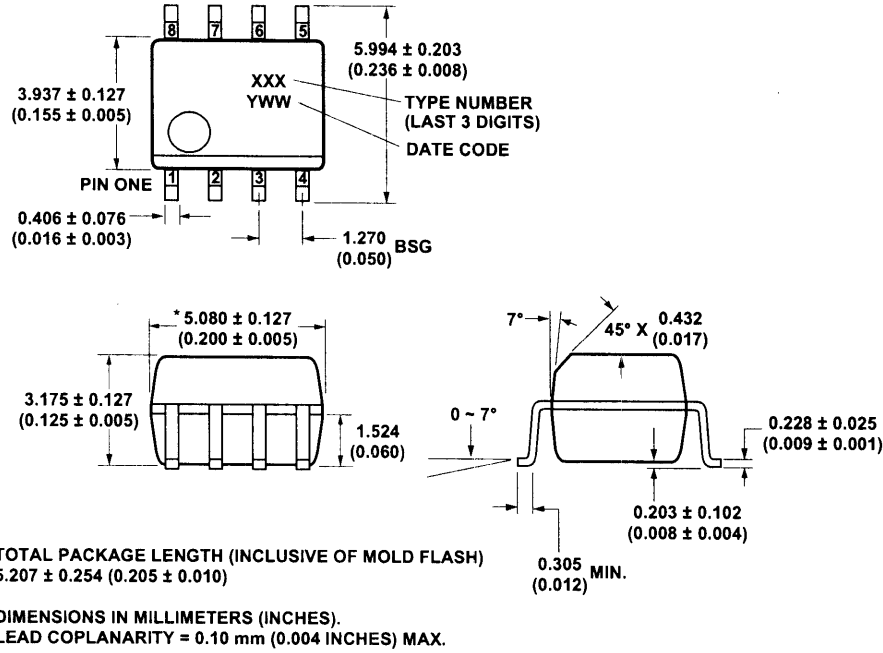
**8-Pin DIP Package with Gull Wing Surface Mount Option 300 (6N139/6N138)**



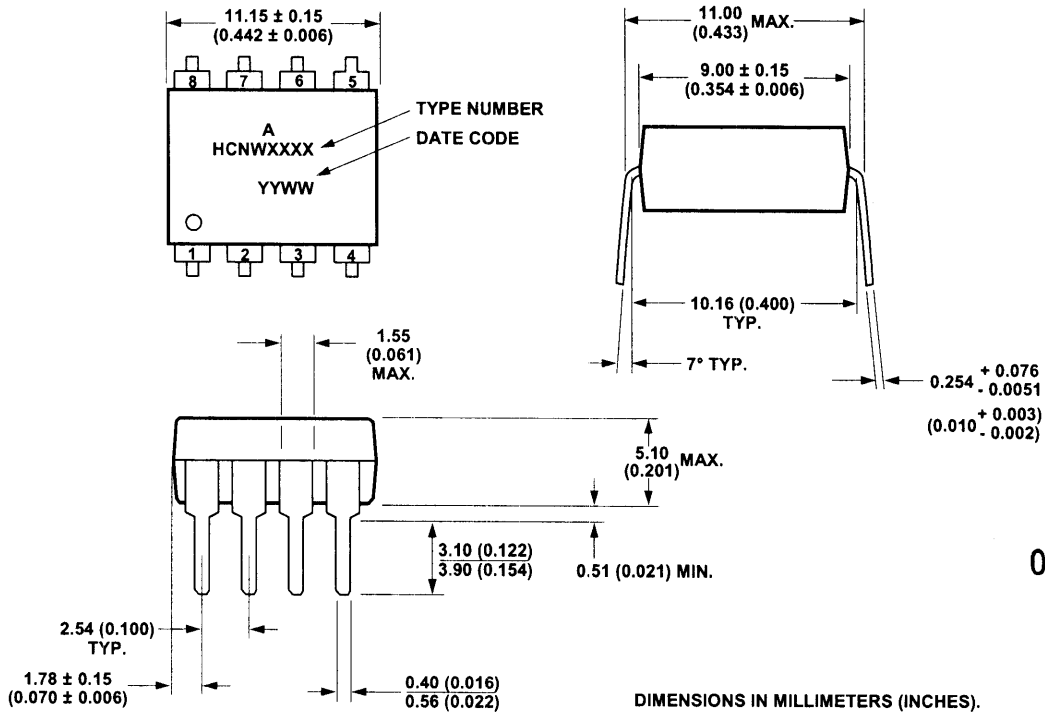
DIMENSIONS IN MILLIMETERS (INCHES).  
LEAD COPLANARITY = 0.10 mm (0.004 INCHES).

ORIGINAL  
ONLY WHEN STAMPED  
IN RED

Small Outline SO-8 Package (HCPL-0701/HCPL-0700)

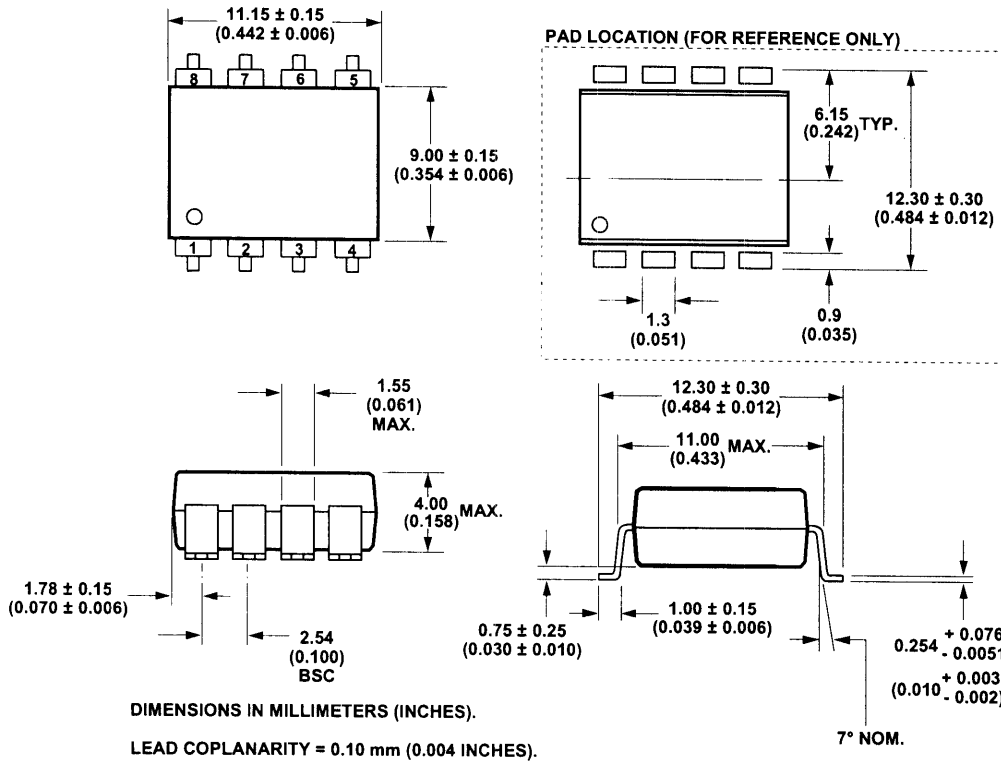


8-Pin Widebody DIP Package (HCNW139/HCNW138)

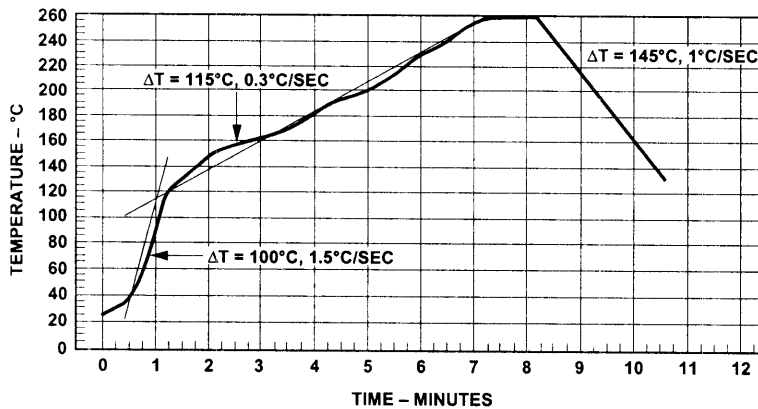


ORIGINAL  
 ONLY WHEN STAMPED  
 IN RED

8-Pin Widebody DIP Package with Gull Wing Surface Mount Option 300 (HCNW139/HCNW138)



Solder Reflow Temperature Profile (HCPL-07XX and Gull Wing Surface Mount Option 300 Parts)



Note: Use of nonchlorine activated fluxes is highly recommended.

ORIGINAL  
ONLY WHEN STAMPED  
IN RED

**Regulatory Information**

The 6N139/138, HCNW139/138, and HCPL-0701/0700 have been approved by the following organizations:

**CSA**

Approved under CSA Component Acceptance Notice #5, File CA 88324.

**VDE**

Approved according to VDE 0884/06.92 (HCNW139/138 only).

**UL**

Recognized under UL 1577, Component Recognition Program, File E55361.

**Insulation and Safety Related Specifications**

| Parameter   | Symbol | 8-Pin DIP<br>(300 Mil)<br>Value | SO-8<br>Value | Widebody<br>(400 Mil)<br>Value | Units | Conditions   |
|---|--------|---------------------------------|---------------|--------------------------------|-------|--|
| Minimum External Air Gap (External Clearance)     | L(101) | 7.1                             | 4.9           | 9.6                            | mm    | Measured from input terminals to output terminals, shortest distance through air.  |
| Minimum External Tracking (External Creepage)     | L(102) | 7.4                             | 4.8           | 10.0                           | mm    | Measured from input terminals to output terminals, shortest distance path along body.  |
| Minimum Internal Plastic Gap (Internal Clearance) |        | 0.08                            | 0.08          | 1.0                            | mm    | Through insulation distance, conductor to conductor, usually the direct distance between the photoemitter and photodetector inside the optocoupler cavity. |
| Minimum Internal Tracking (Internal Creepage)     |        | NA                              | NA            | 4.0                            | mm    | Measured from input terminals to output terminals, along internal cavity.  |
| Tracking Resistance (Comparative Tracking Index)  | CTI    | 200                             | 200           | 200                            | Volts | DIN IEC 112/VDE 0303 Part 1  |
| Isolation Group                                   |        | IIIa                            | IIIa          | IIIa                           |       | Material Group (DIN VDE 0110, 1/89, Table 1)   |

Option 300 - surface mount classification is Class A in accordance with CECC 00802.

ORIGINAL  
ONLY WHEN STAMPED  
IN RED

**VDE 0884 Insulation Related Characteristics (HCNW139 and HCNW138)**

| Description  | Symbol         | Characteristic | Units              |
|--|----------------|----------------|--------------------|
| Installation Classification per DIN VDE 0110/1.89, Table 1<br>for rated mains voltage $\leq 600$ V rms<br>for rated mains voltage $\leq 1000$ V rms  |                | I-IV           |                    |
|  |                | I-III          |                    |
| Climatic Classification  |                | 55/100/21      |                    |
| Pollution Degree (DIN VDE 0110/1.89)   |                | 2              |                    |
| Maximum Working Insulation Voltage   | $V_{IORM}$     | 1414           | V peak             |
| Input to Output Test Voltage, Method b*<br>$V_{PR} = 1.875 \times V_{IORM}$ , 100% Production Test with $t_p = 1$ sec,<br>Partial Discharge $< 5$ pC   | $V_{PR}$       | 2652           | V peak             |
| Input to Output Test Voltage, Method a*<br>$V_{PR} = 1.5 \times V_{IORM}$ , Type and Sample Test,<br>$t_p = 60$ sec, Partial Discharge $< 5$ pC  | $V_{PR}$       | 2121           | V peak             |
| Highest Allowable Overvoltage*<br>(Transient Overvoltage, $t_{ini} = 10$ sec)  | $V_{IOTM}$     | 8000           | V peak             |
| Safety Limiting Values<br>(Maximum values allowed in the event of a failure,<br>also see Figure 11, Thermal Derating curve.)<br>Case Temperature<br>Current (Input Current $I_F$ , $P_S = 0$ )<br>Output Power | $T_S$          | 175            | $^{\circ}\text{C}$ |
|  | $I_{S,INPUT}$  | 400            | mA                 |
|  | $P_{S,OUTPUT}$ | 700            | mW                 |
| Insulation Resistance at $T_S$ , $V_{IO} = 500$ V  | $R_S$          | $> 10^9$       | $\Omega$           |

\*Refer to the front of the optocoupler section of the current catalog, under Product Safety Regulations section, (VDE 0884) for a detailed description.

Note: Isolation characteristics are guaranteed only within the safety maximum ratings which must be ensured by protective circuits in application.

ORIGINAL  
ONLY WHEN STAMPED  
IN RED

**Absolute Maximum Ratings\*** (No Derating Required up to 85°C)

| Parameter   | Symbol        | Min.  | Max. | Units |
|---|---------------|---|------|-------|
| Storage Temperature   | $T_S$         | -55   | 125  | °C    |
| Operating Temperature**   | $T_A$         | -40   | 85   | °C    |
| Average Forward Input Current                                       | $I_{F(AVG)}$  |   | 20   | mA    |
| Peak Forward Input Current<br>(50% Duty Cycle, 1 ms Pulse Width)    | $I_{FPK}$     |   | 40   | mA    |
| Peak Transient Input Current<br>( $< 1 \mu s$ Pulse Width, 300 pps) | $I_{F(TRAN)}$ |   | 1.0  | A     |
| Reverse Input Voltage   | $V_R$         |   | 5    | V     |
|   | HCNW139/138   |   | 3    | V     |
| Input Power Dissipation   | $P_I$         |   | 35   | mW    |
| Output Current (Pin 6)  | $I_O$         |   | 60   | mA    |
| Emitter Base Reverse Voltage (Pin 5-7)                              | $V_{EB}$      |   | 0.5  | V     |
| Supply Voltage and Output Voltage<br>(6N139, HCPL-0701, HCNW139)    | $V_{CC}$      | -0.5  | 18   | V     |
| Supply Voltage and Output Voltage<br>(6N138, HCPL-0700, HCNW138)    | $V_{CC}$      | -0.5  | 7    | V     |
| Output Power Dissipation  | $P_O$         |   | 100  | mW    |
| Total Power Dissipation   | $P_T$         |   | 135  | mW    |
| Lead Solder Temperature (for Through Hole Devices)                  |               | 260°C for 10 sec., 1.6 mm below seating plane |      |       |
|   | HCNW139/138   | 260°C for 10 sec., up to seating plane        |      |       |
| Reflow Temperature Profile<br>(for SOIC-8 and Option #300)          |               | See Package Outline Drawings section          |      |       |

\*JEDEC Registered Data for 6N139 and 6N138.

\*\*0°C to 70°C on JEDEC Registration.

**Recommended Operating Conditions**

| Parameter                   | Symbol       | Min. | Max. | Units |
|-----------------------------|--------------|------|------|-------|
| Power Supply Voltage        | $V_{CC}$     | 4.5  | 18   | V     |
| Forward Input Current (ON)  | $I_{F(ON)}$  | 0.5  | 12.0 | mA    |
| Forward Input Voltage (OFF) | $V_{F(OFF)}$ | 0    | 0.8  | V     |
| Operating Temperature       | $T_A$        | 0    | 70   | °C    |

ORIGINAL  
ONLY WHEN STAMPED  
IN RED

**Electrical Specifications**

0°C ≤ T<sub>A</sub> ≤ 70°C, 4.5 V ≤ V<sub>CC</sub> ≤ 18 V, 0.5 mA ≤ I<sub>F(ON)</sub> ≤ 12 mA, 0 V ≤ V<sub>F(OFF)</sub> ≤ 0.8 V, unless otherwise specified. All Typicals at T<sub>A</sub> = 25°C. See Note 7.

| Parameter                                  | Sym.                            | Device                          | Min. | Typ.** | Max. | Units | Test Conditions  | Fig.                    | Note    |                         |
|--|---------------------------------|---------------------------------|------|--------|------|-------|--|-------------------------|---------|-------------------------|
| Current Transfer Ratio                     | CTR                             | 6N139<br>HCPL-0701              | 400* | 2000   | 5000 | %     | I <sub>F</sub> = 0.5 mA<br>V <sub>CC</sub> = 4.5 V<br>V <sub>O</sub> = 0.4 V | 2, 3                    | 1, 2, 4 |                         |
|  |                                 | HCNW139                         | 400  | 4500   |      |       |  |                         |         |                         |
|  |                                 | 6N139<br>HCPL-0701              | 500* | 1600   | 2600 |       | I <sub>F</sub> = 1.6 mA  |                         |         |                         |
|  |                                 | HCNW139                         | 500  | 3000   |      |       |  |                         |         |                         |
|  |                                 |                                 |      | 300    | 1600 |       |  |                         |         | I <sub>F</sub> = 5.0 mA |
|  |                                 |                                 |      | 200    | 850  |       |  |                         |         | I <sub>F</sub> = 12 mA  |
|  |                                 | 6N138<br>HCPL-0700              | 300* | 1600   | 2600 |       | I <sub>F</sub> = 1.6 mA  |                         |         |                         |
|  |                                 | HCNW138                         |      | 1500   |      |       |  |                         |         |                         |
| Logic Low Output Voltage                   | V <sub>OL</sub>                 | 6N139<br>HCPL-0701<br>HCNW139   |      | 0.1    | 0.4  | V     | I <sub>F</sub> = 0.5 mA,<br>I <sub>O</sub> = 2 mA                            | V <sub>CC</sub> = 4.5   | 1       | 2                       |
|  |                                 |                                 |      |        |      |       | I <sub>F</sub> = 1.6 mA,<br>I <sub>O</sub> = 8 mA                            |                         |         |                         |
|  |                                 |                                 |      |        |      |       | I <sub>F</sub> = 5.0 mA,<br>I <sub>O</sub> = 15 mA                           |                         |         |                         |
|  |                                 |                                 | 0.2  |        |      |       | I <sub>F</sub> = 12 mA,<br>I <sub>O</sub> = 24 mA                            |                         |         |                         |
|  |                                 | 6N138<br>HCPL-0700<br>HCNW138   |      | 0.1    |      |       | I <sub>F</sub> = 1.6 mA,<br>I <sub>O</sub> = 4.8 mA                          |                         |         |                         |
| Logic High Output Current                  | I <sub>OH</sub>                 | 6N139<br>HCPL-0701<br>HCNW139   |      | 0.05   | 100  | μA    | V <sub>O</sub> = V <sub>CC</sub> = 18 V                                      | I <sub>F</sub> = 0 mA   |         | 2                       |
|  |                                 | 6N138<br>HCPL-0700<br>HCNW138   |      | 0.1    | 250  |       | V <sub>O</sub> = V <sub>CC</sub> = 7 V                                       |                         |         |                         |
| Logic Low Supply Current                   | I <sub>CCL</sub>                | 6N138/139<br>HCPL-0701/<br>0700 |      | 0.4    | 1.5  | mA    | I <sub>F</sub> = 1.6 mA, V <sub>O</sub> = Open,<br>V <sub>CC</sub> = 18 V    | 10                      | 2       |                         |
|  |                                 | HCNW139<br>HCNW138              |      | 0.5    | 2    |       |  |                         |         |                         |
| Logic High Supply Current                  | I <sub>CCH</sub>                | 6N138/139<br>HCPL-0701/<br>0700 |      | 0.01   | 10   | μA    | I <sub>F</sub> = 0 mA, V <sub>O</sub> = Open,<br>V <sub>CC</sub> = 18 V      |                         | 2       |                         |
|  |                                 | HCNW139<br>HCNW138              |      |        | 1    |       |  |                         |         |                         |
| Input Forward Voltage                      | V <sub>F</sub>                  | 6N138<br>6N139                  | 1.25 | 1.40   | 1.7* | V     | T <sub>A</sub> = 25°C  | I <sub>F</sub> = 1.6 mA | 4, 8    |                         |
|  |                                 | HCPL-0701<br>HCPL-0700          |      |        | 1.75 |       |  |                         |         |                         |
|  |                                 | HCNW139<br>HCNW138              | 1.0  | 1.45   | 1.85 |       | T <sub>A</sub> = 25°C  |                         |         |                         |
|  |                                 |                                 | 0.95 |        | 1.95 |       |  |                         |         |                         |
| Input Reverse Breakdown Voltage            | BVR                             |                                 | 5.0* |        |      | V     | I <sub>R</sub> = 10 μA, T <sub>A</sub> = 25°C                                |                         |         |                         |
|  |                                 | HCNW139<br>HCNW138              | 3.0  |        |      |       | I <sub>R</sub> = 100 μA, T <sub>A</sub> = 25°C                               |                         |         |                         |
| Temperature Coefficient of Forward Voltage | $\frac{\Delta V_F}{\Delta T_A}$ |                                 |      | -1.8   |      | mV/°C | I <sub>F</sub> = 1.6 mA  | 8                       |         |                         |
| Input Capacitance                          | C <sub>IN</sub>                 |                                 |      | 60     |      | pF    | f = 1 MHz, V <sub>F</sub> = 0 V  |                         |         |                         |
|  |                                 | HCNW139<br>HCNW138              |      | 90     |      |       |  |                         |         |                         |

\*JEDEC Registered Data for 6N139 and 6N138.

\*\*All typical values at T<sub>A</sub> = 25°C and V<sub>CC</sub> = 5 V, unless otherwise noted.

ORIGINAL  
ONLY WHEN STAMPED  
IN RED

**Switching Specifications (AC)**Over recommended operating conditions ( $T_A = 0$  to  $70^\circ\text{C}$ ),  $V_{CC} = 5$  V, unless otherwise specified.

| Parameter  | Sym.  | Device                        | Min.                          | Typ.** | Max.  | Units         | Test Conditions                           | Fig.                 | Note |   |    |      |
|--|---|-------------------------------|-------------------------------|--------|-------|---------------|---|----------------------|------|---|----|------|
| Propagation Delay<br>Time to Logic Low at<br>Output  | $t_{PHL}$   | 6N139                         |                               | 5      | 25*   | $\mu\text{s}$ | $T_A = 25^\circ\text{C}$                  | 5, 6,<br>7, 9,<br>12 | 2, 4 |   |    |      |
|  |   | HCPL-0701                     |                               |        | 30    |               | $I_F = 0.5$ mA,<br>$R_l = 4.7$ k $\Omega$ |                      |      |   |    |      |
|  |   | HCNW139                       |                               |        |       |               |   |                      |      |   |    |      |
|  |   | 6N139<br>HCPL-0701            |                               | 0.2    | 1*    | $\mu\text{s}$ | $T_A = 25^\circ\text{C}$                  |                      |      |   |    |      |
|  |   |                               |                               |        | 2     |               | $I_F = 12$ mA,<br>$R_l = 270$ $\Omega$    |                      |      |   |    |      |
|  |   |                               | HCNW139                       |        |       |               | 1.1                                       |                      |      |   |    |      |
|  |   | 6N138<br>HCPL-0700<br>HCNW138 |                               | 1.6    | 10*   | $\mu\text{s}$ | $T_A = 25^\circ\text{C}$                  |                      |      |   |    |      |
|  |   |                               |                               |        | 15    |               | $I_F = 1.6$ mA,<br>$R_l = 2.2$ k $\Omega$ |                      |      |   |    |      |
|  |   |                               | HCNW138                       |        |       |               | 11  |                      |      |   |    |      |
| Propagation Delay<br>Time to Logic High<br>at Output | $t_{PLH}$   | 6N139                         |                               | 18     | 60*   | $\mu\text{s}$ | $T_A = 25^\circ\text{C}$                  | 5, 6,<br>7, 9,<br>12 | 2, 4 |   |    |      |
|  |   | HCPL-0701                     |                               |        | 90    |               | $I_F = 0.5$ mA,<br>$R_l = 4.7$ k $\Omega$ |                      |      |   |    |      |
|  |   | HCNW139                       |                               |        | 115   |               |   |                      |      |   |    |      |
|  |   | 6N139<br>HCPL-0701<br>HCNW139 |                               | 2      | 7*    | $\mu\text{s}$ | $T_A = 25^\circ\text{C}$                  |                      |      |   |    |      |
|  |   |                               |                               |        | 10    |               | $I_F = 12$ mA,<br>$R_l = 270$ $\Omega$    |                      |      |   |    |      |
|  |   |                               | HCNW139                       |        |       |               | 1.1                                       |                      |      |   |    |      |
|  |   | 6N138<br>HCPL-0700<br>HCNW138 |                               | 10     | 35*   | $\mu\text{s}$ | $T_A = 25^\circ\text{C}$                  |                      |      |   |    |      |
|  |   |                               |                               |        | 50    |               | $I_F = 1.6$ mA,<br>$R_l = 2.2$ k $\Omega$ |                      |      |   |    |      |
|  |   |                               | 6N138<br>HCPL-0700<br>HCNW139 |        |       |               | 70  |                      |      |   |    |      |
|  | Common Mode<br>Transient Immunity<br>at Logic High Output | $ CM_H $                      |                               | 1000   | 10000 |               | V/ $\mu\text{s}$                          |                      |      | $I_F = 0$ mA,<br>$T_A = 25^\circ\text{C}$<br>$R_l = 2.2$ k $\Omega$<br>$ V_{CM}  = 10$ Vp-p   | 13 | 5, 6 |
|  | Common Mode<br>Transient Immunity<br>at Logic Low Output  | $ CM_L $                      |                               | 1000   | 10000 |               | V/ $\mu\text{s}$                          |                      |      | $I_F = 1.6$ mA,<br>$T_A = 25^\circ\text{C}$<br>$R_l = 2.2$ k $\Omega$<br>$ V_{CM}  = 10$ Vp-p | 13 | 5, 6 |

\*JEDEC Registered Data for 6N139 and 6N138.

\*\*All typical values at  $T_A = 25^\circ\text{C}$  and  $V_{CC} = 5$  V, unless otherwise noted.ORIGINAL  
ONLY WHEN STAMPED  
IN RED

## Package Characteristics

| Parameter                                 | Sym.             | Min.                             | Typ.**           | Max. | Units | Test Conditions                                | Fig. | Note |
|---|------------------|----------------------------------|------------------|------|-------|--|------|------|
| Input-Output Momentary Withstand Voltage† | V <sub>ISO</sub> | 2500                             |                  |      | V rms | RH < 50%, t = 1 min.,<br>T <sub>A</sub> = 25°C |      | 3, 8 |
|   |                  | Option 020<br>HCNW139<br>HCNW138 | 5000             |      |       |  |      |      |
| Resistance (Input-Output)                 | R <sub>I-O</sub> |                                  | 10 <sup>12</sup> |      | Ω     | V <sub>I-O</sub> = 500 Vdc<br>RH < 45%         |      | 3    |
| Capacitance (Input-Output)                | C <sub>I-O</sub> |                                  | 0.6              |      | pF    | f = 1 MHz                                      |      | 3    |

\*\*All typicals at T<sub>A</sub> = 25°C, unless otherwise noted.

†The Input-Output Momentary Withstand Voltage is a dielectric voltage rating that should not be interpreted as an input-output continuous voltage rating. For the continuous voltage rating refer to the VDE 0884 Insulation Characteristics Table (if applicable), your equipment level safety specification or Agilent Application Note 1074 entitled "Optocoupler Input-Output Endurance Voltage."

## Notes:

- DC CURRENT TRANSFER RATIO (CTR) is defined as the ratio of output collector current, I<sub>O</sub>, to the forward LED input current, I<sub>F</sub>, times 100%.
- Pin 7 Open.
- Device considered a two-terminal device. Pins 1, 2, 3, and 4 shorted together and Pins 5, 6, 7, and 8 shorted together.
- Use of a resistor between pin 5 and 7 will decrease gain and delay time. Significant reduction in overall gain can occur when using resistor values below 47 kΩ. For more information, please contact your local HP Components representative.
- Common mode transient immunity in a Logic High level is the maximum toler-

- able (positive) dV<sub>CM</sub>/dt of the common mode pulse, V<sub>CM</sub>, to assure that the output will remain in a Logic High state (i.e., V<sub>O</sub> > 2.0 V). Common mode transient immunity in a Logic Low level is the maximum tolerable (negative) dV<sub>CM</sub>/dt of the common mode pulse, V<sub>CM</sub>, to assure that the output will remain in a Logic Low state (i.e., V<sub>O</sub> < 0.8 V).
- In applications where dV/dt may exceed 50,000 V/μs (such as static discharge) a series resistor, R<sub>CC</sub>, should be included to protect the detector IC from destructively high surge currents. The recommended value is R<sub>CC</sub> = 220 Ω.
  - Use of a 0.1 μF bypass capacitor connected between pins 8 and 5 adjacent to the device is recommended.

- In accordance with UL 1577, each optocoupler is proof tested by applying an insulation test voltage 3000 V rms for 1 second (leakage detection current limit, I<sub>I-O</sub> < 5 μA). This test is performed before the 100% production test shown in the VDE 0884 Insulation Related Characteristics Table, if applicable.
- In accordance with UL 1577, each optocoupler is proof tested by applying an insulation test voltage > 6000 V rms for 1 second (leakage detection current limit, I<sub>I-O</sub> < 5 μA). This test is performed before the 100% production test for partial discharge (method b) shown in the VDE 0884 Insulation Related Characteristics Table, if applicable.

ORIGINAL  
ONLY WHEN STAMPED  
IN RED

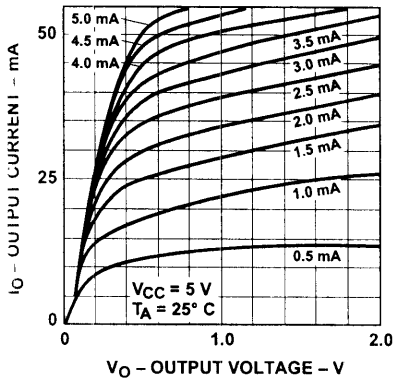


Figure 1. 6N138/6N139 DC Transfer Characteristics.

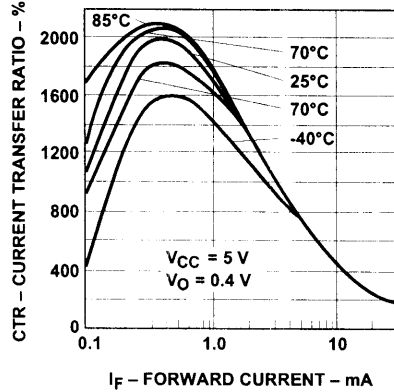


Figure 2. Current Transfer Ratio vs. Forward Current 6N138/6N139.

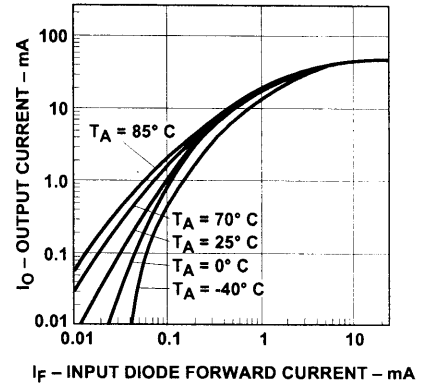


Figure 3. 6N138/6N139 Output Current vs. Input Diode Forward Current.

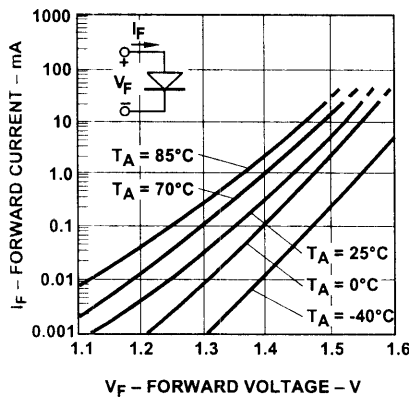


Figure 4. Input Diode Forward Current vs. Forward Voltage.

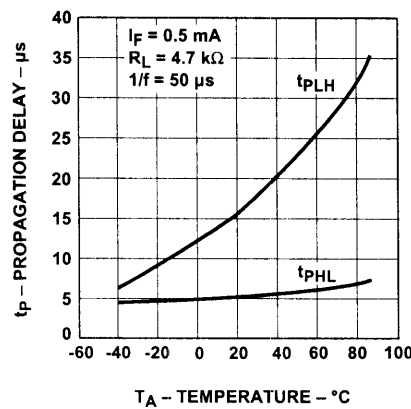


Figure 5. Propagation Delay vs. Temperature.

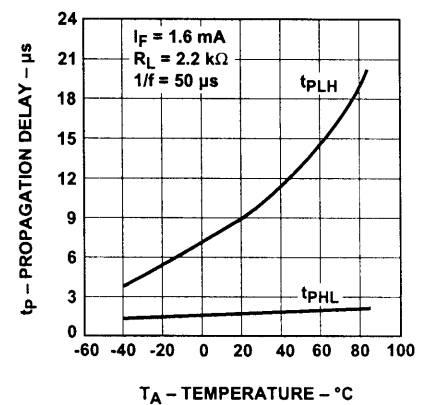


Figure 6. Propagation Delay vs. Temperature.

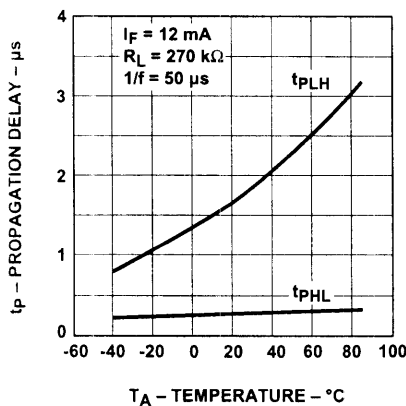


Figure 7. Propagation Delay vs. Temperature.

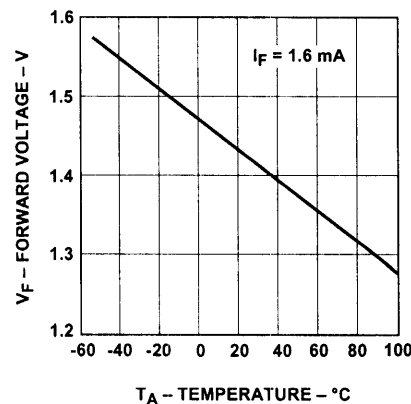


Figure 8. Forward Voltage vs. Temperature.

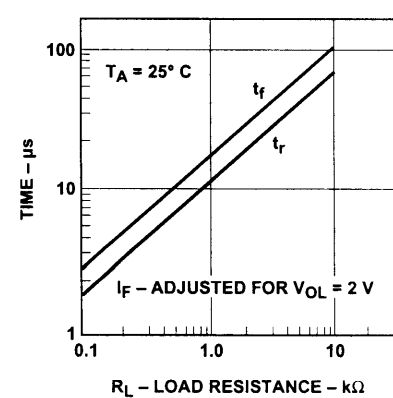


Figure 9. Nonsaturated Rise and Fall Times vs. Load Resistance.

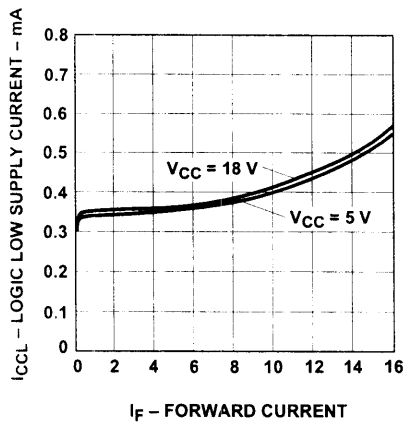


Figure 10. Logic Low Supply Current vs. Forward Current.

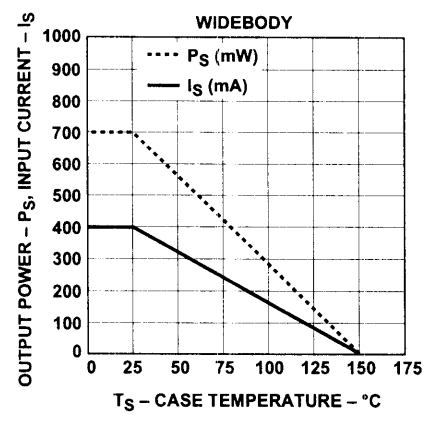


Figure 11. Thermal Derating Curve, Dependence of Safety Limiting Value with Case Temperature per VDE 0884.

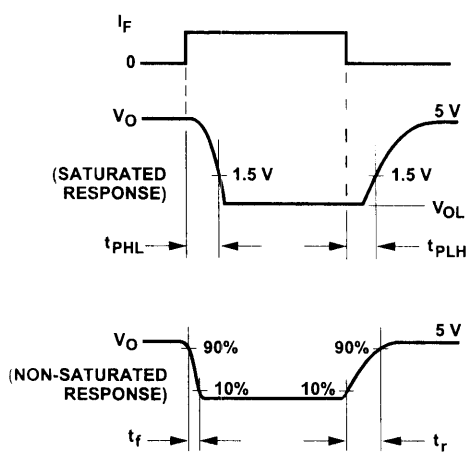
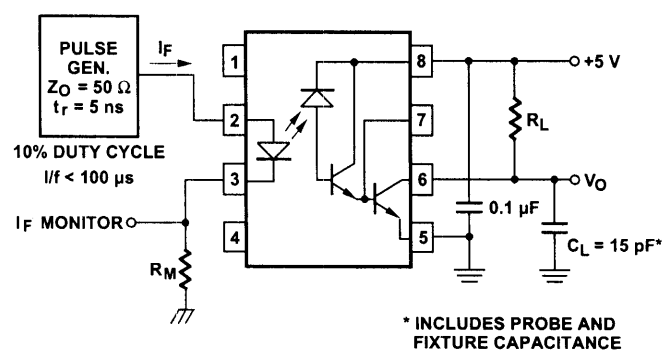


Figure 12. Switching Test Circuit.



ORIGINAL  
ONLY WHEN STAMPED  
IN RED

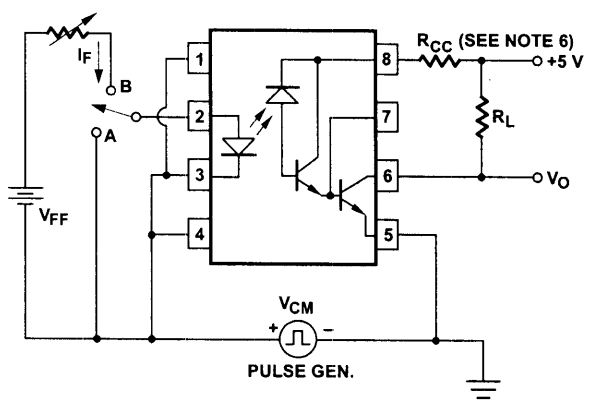
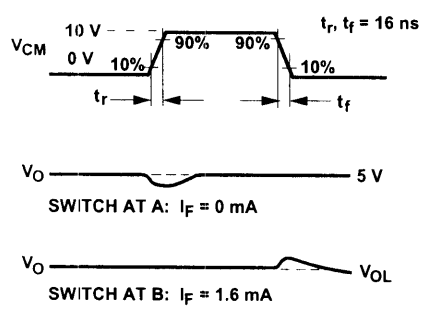


Figure 13. Test Circuit for Transient Immunity and Typical Waveforms.

ORIGINAL  
ONLY WHEN STAMPED  
IN RED

VICOR ITEM NUMBER 26109

REV #0



Agilent Technologies

ORIGINAL  
ONLY WHEN STAMPED  
IN RED

*www.semiconductor.agilent.com*

Data subject to change.

Copyright © 2001 Agilent Technologies, Inc.

September 6, 2001

Obsoletes 5968-1085E (5/00)

5988-4109EN