

Diodes

Silicon tuning diodes

Glass package DO 35

Type	Characteristics ($T_A = 25^\circ\text{C}$)					Applications	Figure
	C_T pF	V_R V	C_{T1}/C_{T2}	V_{R1}/V_{R2}	r_s Ω		
BB 409	4.5 ... 5.6	25	5 ... 6.5	3 : 25	0.3	VHF tuners	4
BB 505 B	1.85 ... 2.25	28	7.7 ... 9.4	1 : 28	0.62 (≤ 0.7)	UHF tuners	
BB 505 G	1.8 ... 2.4	28	7.5 ... 9.5	1 : 28	0.8 (≤ 1)	VHF tuners	
BB 609 A	2.5 ... 3.0	28	12 ... 15	1 : 28	0.7 (≤ 1)	VHF (CATV/hyperband) tuners	
BB 609 B	2.8 ... 3.2	28	12 ... 15	1 : 28	0.7 (≤ 1)		
BB 610	3.75	28	≥ 19	1 : 28	1.4		

Plastic package TO 92

BB 112	440 ... 520	1	≥ 18	1 : 8.5	1.4	AM tuners for car radios	5
BB 204 green	34 ... 39	3	2.55 ... 2.8	3 : 30	0.2 (≤ 0.4)	FM tuners for car radios	6
BB 204 blue	37 ... 42	3	2.55 ... 2.8	3 : 30	0.2 (≤ 0.4)		
BB 304 red	42 ... 43.5	2	1.65 ... 1.75	2 : 8	0.2 (≤ 0.4)		
BB 304 yellow	43 ... 44.5	2	1.65 ... 1.75	2 : 8	0.2 (≤ 0.4)		
BB 304 white	44 ... 45.5	2	1.65 ... 1.75	2 : 8	0.2 (≤ 0.4)		
BB 304 green	45 ... 46.5	2	1.65 ... 1.75	2 : 8	0.2 (≤ 0.4)		
BB 304 blue	46 ... 47.5	2	1.65 ... 1.75	2 : 8	0.2 (≤ 0.4)		
BB 314	44.75	2	2.2	2 : 8	0.25		

DO 35 DHD

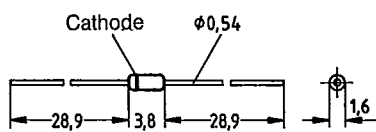


Figure 4

TO 92

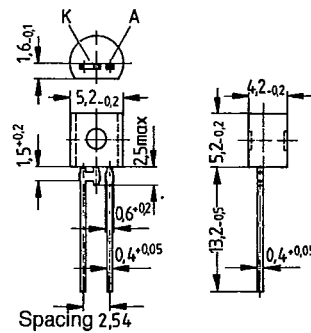


Figure 5

TO 92

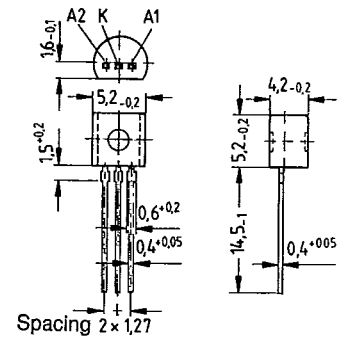


Figure 6

Diodes

SMD

Silicon tuning diodes

Miniature plastic package

Type	Characteristics ($T_A = 25^\circ\text{C}$)					Applications	Figure
	C_T pF	V_R V	C_{T1}/C_{T2}	V_{R1}/V_{R2}	r_s Ω		
▼ BB 515 B	1.85 ... 2.25	28	8 ... 9.5	1 : 28	0.55	UHF tuners	7
▼ BB 515 G	1.8 ... 2.4	28	7.5 ... 9.5	1 : 28	0.75 (≤ 1)	VHF tuners	
▼ BB 619 A	2.5 ... 3	28	≥ 12	1 : 28	0.65	VHF (CATV/hyperband) tuners	
▼ BB 619 B	2.8 ... 3.2	28	≥ 12	1 : 28	0.65		
▼ BB 620	3.75	28	≥ 19	1 : 28	1.3		

Plastic package SOT 23

▼ BB 801	1	28	9	1 : 28	1	Indoor unit (TV SAT)	8
▼ BB 804	42 ... 47.5	2	1.7	2 : 8	0.25	FM tuners for car radios	9
▼ BB 814	44.75	2	2.2	2 : 8	0.25		

Mini-plast

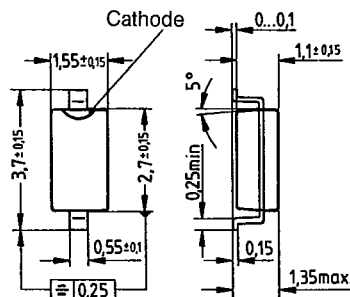


Figure 7

SOT 23

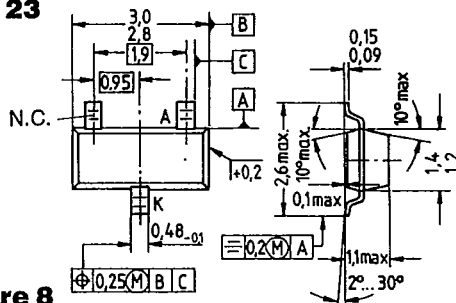


Figure 8

SOT 23

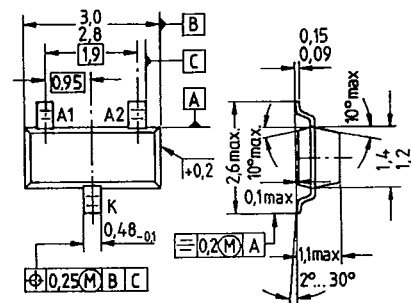


Figure 9