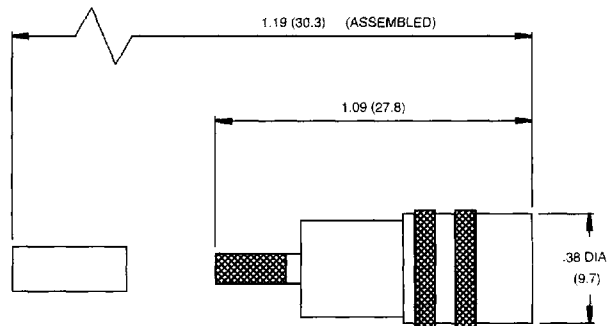


TYPE 43 Series (75 ohm SMB)

Straight Latching Socket



Cable Type	Cable Attachment Inner	Cable Attachment Outer	BT Reference	Part Number
BT2001	Solder	Crimp	Socket 43/1BS	B67 A44 T280 XMP
BT2002	Solder	Crimp	Socket 43/2BS	B67 A44 T117 XMP
BT2003	Solder	Crimp	Socket 43/3BS	B67 A44 T062 XMP
RG179	Solder	Crimp	Socket 43/4BS	B67 A44 T022 XMP
BT3002	Solder	Crimp	Socket 43/SBS	B67 A44 T437 XMP
RG59	Solder	Crimp		B67 A44 TA25 XMP
BT2001	Crimp	Crimp	Socket 43/1 FS	B67 A64 T280 XMP
BT2002	Crimp	Crimp	Socket 43/2FS	B67 A64 T117 XMP
BT2003	Crimp	Crimp	Socket 43/3FS	B67 A64 T062 XMP
RG179	Crimp	Crimp	Socket 43/4FS	B67 A64 T022 XMP
BT3002	Crimp	Crimp	Socket 43/5FS	B67 A64 T437 XMP
RG59	Crimp	Crimp		B67 A64 TA25 XMP

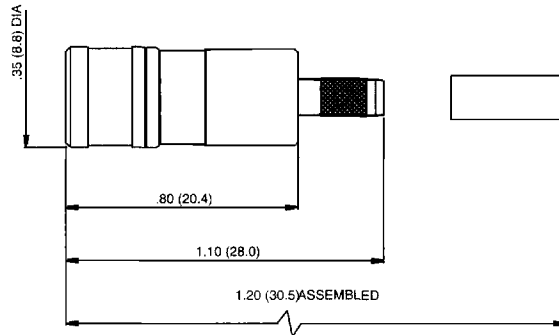
Dimensions are in decimal inches, metric equivalents (to the nearest 0.1 mm) are given in parenthesis for general information only.

M/A-COM, Inc.

North America: Tel. (800) 366-2266 ■ Asia/Pacific: Tel. +85 2 2111 8088 ■ Europe: Tel. +44 (1344) 869 595
 Fax (800) 618-8883 Fax +85 2 2111 8087 Fax +44 (1344) 300 020

TYPE 43 Series (75 ohm SMB)

Straight Snap-On Socket



Cable Type	Cable Attachment		BT Reference	Part Number
	Inner	Outer		
BT2001	Solder	Crimp	Socket 43/1AS	B67 A53 T280 XMP
BT2002	Solder	Crimp	Socket 43/2AS	B67 A53 T117 XMP
BT2003	Solder	Crimp	Socket 43/3AS	B67 A53 T062 XMP
RG179	Solder	Crimp	Socket 43/4AS	B67 A53 T022 XMP
BT3002	Solder	Crimp	Socket 43/5AS	B67 A53 T437 XMP
RG59	Solder	Crimp		B67 A53 TA25 XMP
BT2001	Crimp	Crimp	Socket 43/1 ES	B67 A54 T280 XMP
BT2002	Crimp	Crimp	Socket43/2ES	B67 A54 T117 XMP
BT2003	Crimp	Crimp	Socket 43/3ES	B67 A54 T062 XMP
RG179	Crimp	Crimp	Socket 43/4ES	B67 A54 T022 XMP
BT3002	Crimp	Crimp	Socket 43/5ES	B67 A54 T437 XMP
RG59	Crimp	Crimp		B67 A54 TA25 XMP

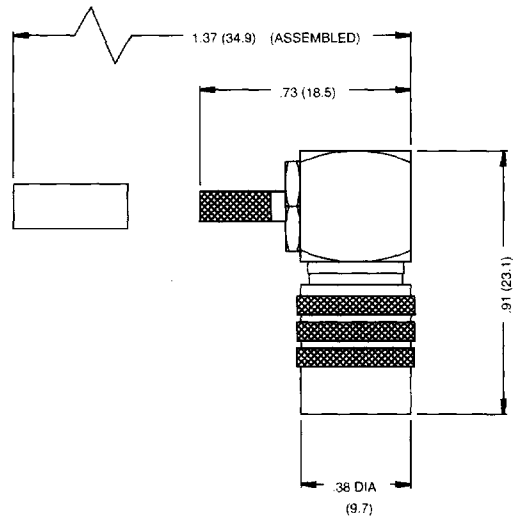
Dimensions are in decimal inches, metric equivalents (to the nearest 0.1 mm) are given in parenthesis for general information only.

M/A-COM, Inc.

North America: Tel. (800) 366-2266 ■ Asia/Pacific: Tel. +85 2 2111 8088 ■ Europe: Tel. +44 (1344) 869 595
 Fax (800) 618-8883 Fax +85 2 2111 8087 Fax +44 (1344) 300 020

TYPE 43 Series (75 ohm SMB)

Right-Angled Latching Socket



Cable Type	Cable Attachment		BT Reference	Part Number
	Inner	Outer		
BT2001	Solder	Crimp	Socket 43/1C	B67 B44 T280 XMP
BT2002	Solder	Crimp	Socket 43/2C	B67 B44 T117 XMP
BT2003	Solder	Crimp	Socket 43/3C	B67 B44 T062 XMP
RG179	Solder	Crimp	Socket 43/4C	B67 B44 T022 XMP
BT3002	Solder	Crimp	Socket 43/5C	B67 B44 T437 XMP
RG59	Solder	Crimp		B67 B44 TA25 XMP
AT&T734A	Solder	Crimp		B67 B44 T734 XMP
AT&T735A	Solder	Crimp		B67 B44 T437 XMP

Dimensions are in decimal inches, metric equivalents (to the nearest 0.1 mm) are given in parenthesis for general information only.

M/A-COM, Inc.

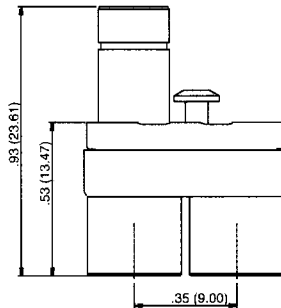
North America: Tel. (800) 366-2266
Fax (800) 618-8883

Asia/Pacific: Tel. +85 2 2111 8088
Fax +85 2 2111 8087

Europe: Tel. +44 (1344) 869 595
Fax +44 (1344) 300 020

TYPE 43 Series (75 ohm SMB)

Right-Angled Snap-On Socket



Cable Type	Cable Attachment Inner	Cable Attachment Outer	BT Reference	Part Number
BT2001	Solder	Crimp	Socket 43/1D	B67 B42 T280 XMP
BT2002	Solder	Crimp	Socket 43/2D	B67 B42 T117 XMP
BT2003	Solder	Crimp	Socket 43/3D	B67 B42 T062 XMP
RG179	Solder	Crimp	Socket 43/4D	B67 B42 T022 XMP
BT3002	Solder	Crimp	Socket 43/5D	B67 B42 T437 XMP
RG59	Solder	Crimp		B67 B42 TA25 XMP

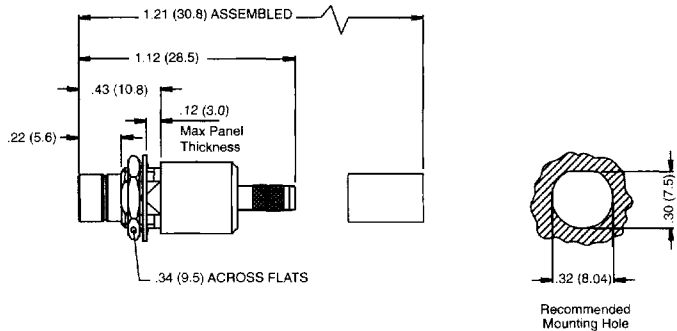
Dimensions are in decimal inches, metric equivalents (to the nearest 0.1 mm) are given in parenthesis for general information only.

M/A-COM, Inc.

North America: Tel. (800) 366-2266 ■ Asia/Pacific: Tel. +85 2 2111 8088 ■ Europe: Tel. +44 (1344) 869 595
Fax (800) 618-8883 Fax +85 2 2111 8087 Fax +44 (1344) 300 020

TYPE 43 Series (75 ohm SMB)

Straight Bulkhead Plug



Cable Type	Cable Attachment		BT Reference	Part Number
	Inner	Outer		
BT2001	Solder	Crimp	Plug 43/1AS	B67 H46 T280 XMP
BT2002	Solder	Crimp	Plug 43/2AS	B67 H46 T117 XMP
BT2003	Solder	Crimp	Plug 43/3AS	B67 H46 T062 XMP
RG179	Solder	Crimp	Plug 43/4AS	B67 H46 T022 XMP
BT3002	Solder	Crimp	Plug 43/5AS	B67 H46 T437 XMP
RG59	Solder	Crimp		B67 H46 TA25 XMP
BT2001	Crimp	Crimp	Plug 43/1FS	B67 H66 T280 XMP
BT2002	Crimp	Crimp	Plug 43/2FS	B67 H66 T117 XMP
BT2003	Crimp	Crimp	Plug 43/3FS	B67 H66 T062 XMP
RG179	Crimp	Crimp	Plug 43/4FS	B67 H66 T022 XMP
BT3002	Crimp	Crimp	Plug 43/5FS	B67 H66 T437 XMP
RG59	Crimp	Crimp		B67 H66 TA25 XMP

Dimensions are in decimal inches, metric equivalents (to the nearest 0.1 mm) are given in parenthesis for general information only.

M/A-COM, Inc.

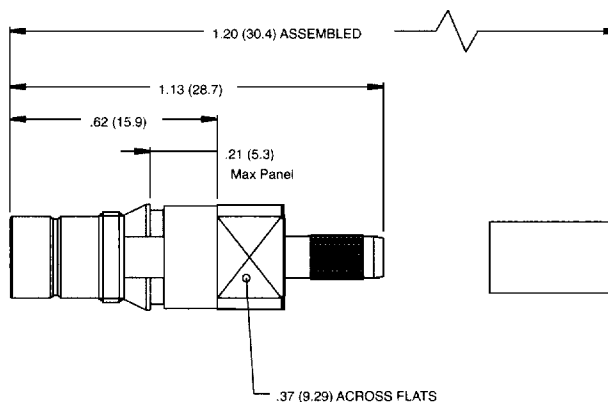
North America: Tel. (800) 366-2266
Fax (800) 618-8883

Asia/Pacific: Tel. +85 2 2111 8088
Fax +85 2 2111 8087

Europe: Tel. +44 (1344) 869 595
Fax +44 (1344) 300 020

TYPE 43 Series (75 ohm SMB)

Straight DDF Plug



Cable Type	Cable Attachment Inner	Cable Attachment Outer	BT Reference	Part Number
BT2001	Solder	Crimp	Plug 43/1CTIS	B67 H44 T280 XMP
BT2002	Solder	Crimp	Plug 43/2CTIS	B67 H44 T117 XMP
BT2003	Solder	Crimp	Plug 43/3CTIS	B67 H44 T062 XMP
RG179	Solder	Crimp	Plug 43/4CTIS	B67 H44 T022 XMP
BT3002	Solder	Crimp	Plug 43/5CTIS	B67 H44 T437 XMP
RG59	Solder	Crimp		B67 H44 TA25 XMP
BT2001	Crimp	Crimp	Plug 43/1GTIS	B67 H64 T280 XMP
BT2002	Crimp	Crimp	Plug 43/2GTIS	B67 H64 T117 XMP
BT2003	Crimp	Crimp	Plug 43/3GTIS	B67 H64 T062 XMP
RG179	Crimp	Crimp	Plug 43/4GTIS	B67 H64 T022 XMP
BT3002	Crimp	Crimp	Plug 43/5GTIS	B67 H64 T437 XMP
RG59	Crimp	Crimp		B67 H64 TA25 XMP

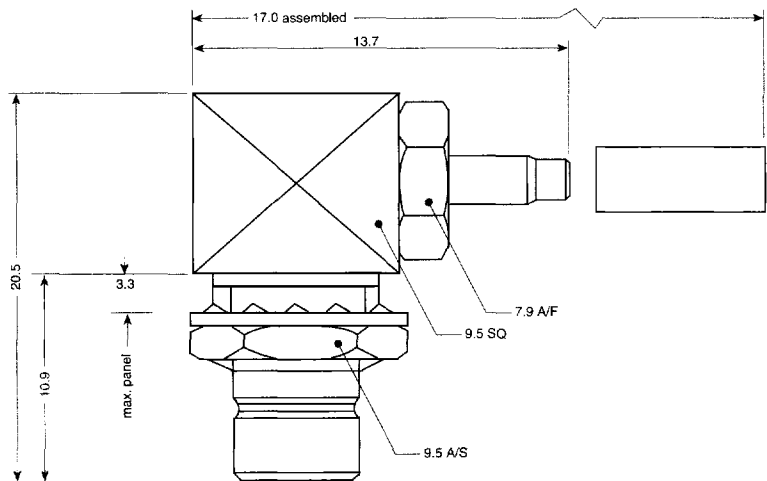
Dimensions are in decimal inches, metric equivalents (to the nearest 0.1 mm) are given in parenthesis for general information only.

M/A-COM, Inc.

North America: Tel. (800) 366-2266 ■ Asia/Pacific: Tel. +85 2 2111 8088 ■ Europe: Tel. +44 (1344) 869 595
 Fax (800) 618-8883 Fax +85 2 2111 8087 Fax +44 (1344) 300 020

TYPE 43 Series (75 ohm SMB)

Right-Angled Bulkhead Plug



Cable Type	Cable Attachment		BT Reference	Part Number
	Inner	Outer		
BT2001	Solder	Crimp	Plug 43/1B	B67 H49 T280 XMP
BT2002	Solder	Crimp	Plug 43/2B	B67 H49 T117 XMP
BT2003	Solder	Crimp	Plug 43/3B	B67 H49 T062 XMP
RG179	Solder	Crimp	Plug 43/4B	B67 H49 T022 XMP
BT3002	Solder	Crimp	Plug 43/5B	B67 H49 T437 XMP
RG59	Solder	Crimp		B67 H49 TA25 XMP

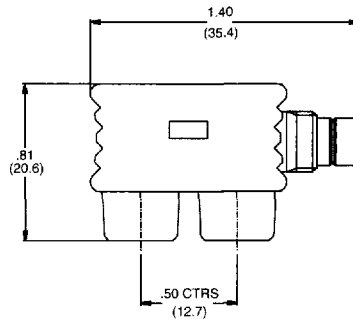
Dimensions are in decimal inches, metric equivalents (to the nearest 0.1 mm) are given in parenthesis for general information only.

M/A-COM, Inc.

North America: Tel. (800) 366-2266 ■ Asia/Pacific: Tel. +85 2 2111 8088 ■ Europe: Tel. +44 (1344) 869 595
 Fax (800) 618-8883 Fax +85 2 2111 8087 Fax +44 (1344) 300 020

TYPE 43 Series (75 ohm SMB)

U Links



BT Reference	Part Number
Link 43/13A	B67 Z29 T999 XMP
Link 43/13B -30dB	B67 Z31 T999 XMP

Straight Bulkhead Receptacles

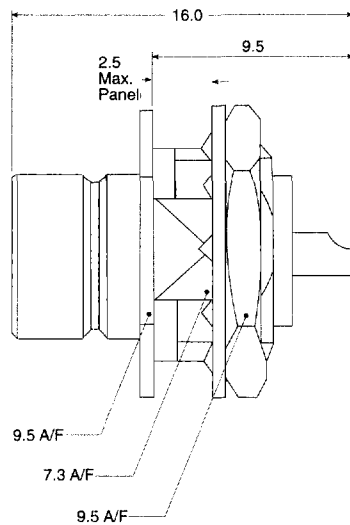


Figure 1

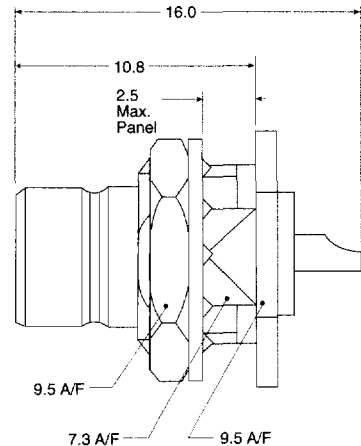


Figure 2

Figure	Description	Part Number
1	Front Mount	B67 M18 G999 X99
2	Rear Mount	B67 M08 G999 X99

Dimensions are in decimal inches, metric equivalents (to the nearest 0.1 mm) are given in parenthesis for general information only.

M/A-COM, Inc.

North America: Tel. (800) 366-2266 ■ Asia/Pacific: Tel. +85 2 2111 8088 ■ Europe: Tel. +44 (1344) 869 595
 Fax (800) 618-8883 Fax +85 2 2111 8087 Fax +44 (1344) 300 020

TYPE 43 Series (75 ohm SMB)

Printed Circuit Board Plugs

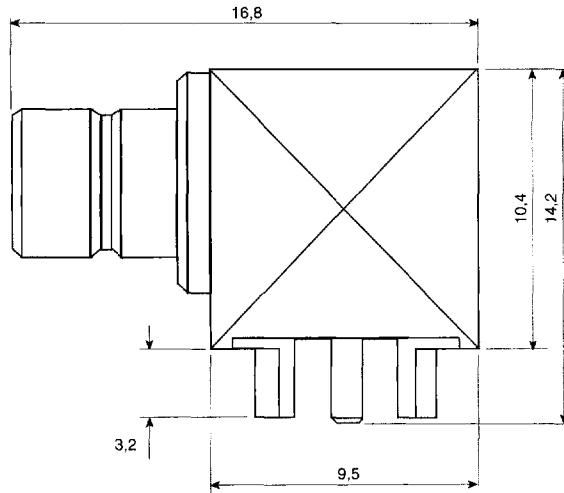


Figure 1

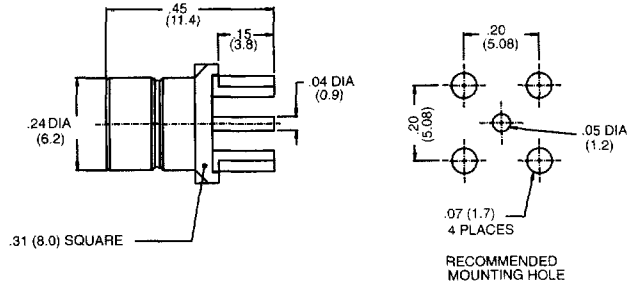


Figure 2

Figure	BT Reference	Part Number
1	Plug 43/1 D	B67 N08 T999 XTY
2	Plug 43/1E	B67 N10 T999 XTY

Dimensions are in decimal inches, metric equivalents (to the nearest 0.1 mm) are given in parenthesis for general information only.

M/A-COM, Inc.

North America: Tel. (800) 366-2266 ■ Asia/Pacific: Tel. +85 2 2111 8088 ■ Europe: Tel. +44 (1344) 869 595
 Fax (800) 618-8883 Fax +85 2 2111 8087 Fax +44 (1344) 300 020

TYPE 43 Series (75 ohm SMB)

Adapters

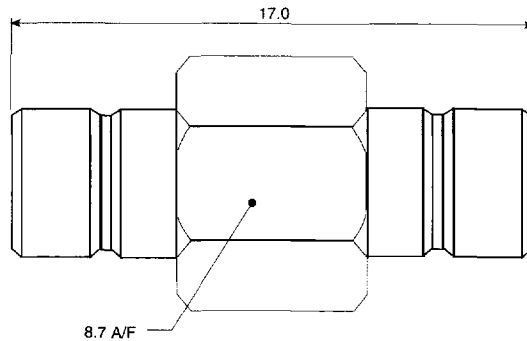


Figure 1

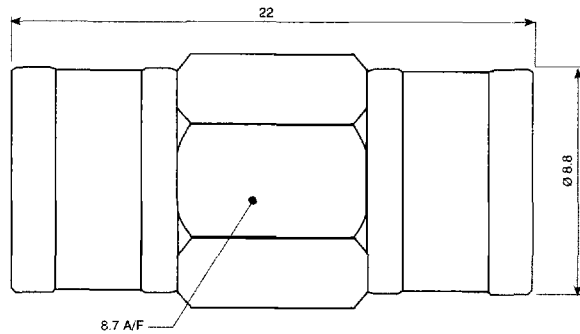


Figure 2

Figure	Description	Part Number
1	Plug/Plug	B67 P34 G999 X99
2	Socket/Socket	B67 P32 G999 X99

Dimensions are in decimal inches, metric equivalents (to the nearest 0.1 mm) are given in parenthesis for general information only.

M/A-COM, Inc.

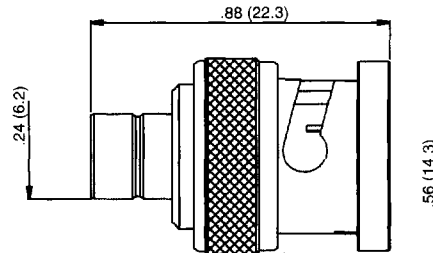
North America: Tel. (800) 366-2266
Fax (800) 618-8883

Asia/Pacific: Tel. +85 2 2111 8088
Fax +85 2 2111 8087

Europe: Tel. +44 (1344) 869 595
Fax +44 (1344) 300 020

TYPE 43 Series (75 ohm SMB)

Between Series Adapter



BT Reference	Part Number
Adapter 76A	A57 P01 T999 X99

TOOLING

Description	Part Number
Stripper 8A	127706-98
Stripper 9A	127711-98
Stripper Blades (5)	127877-44
Nippers 3A	127712-44
Pliers 19A	30056
Pliers 6A	30059

Dimensions are in decimal inches, metric equivalents (to the nearest 0.1 mm) are given in parenthesis for general information only.

M/A-COM, Inc.

North America: Tel. (800) 366-2266 ■ Asia/Pacific: Tel. +85 2 2111 8088 ■ Europe: Tel. +44 (1344) 869 595
Fax (800) 618-8883 Fax +85 2 2111 8087 Fax +44 (1344) 300 020