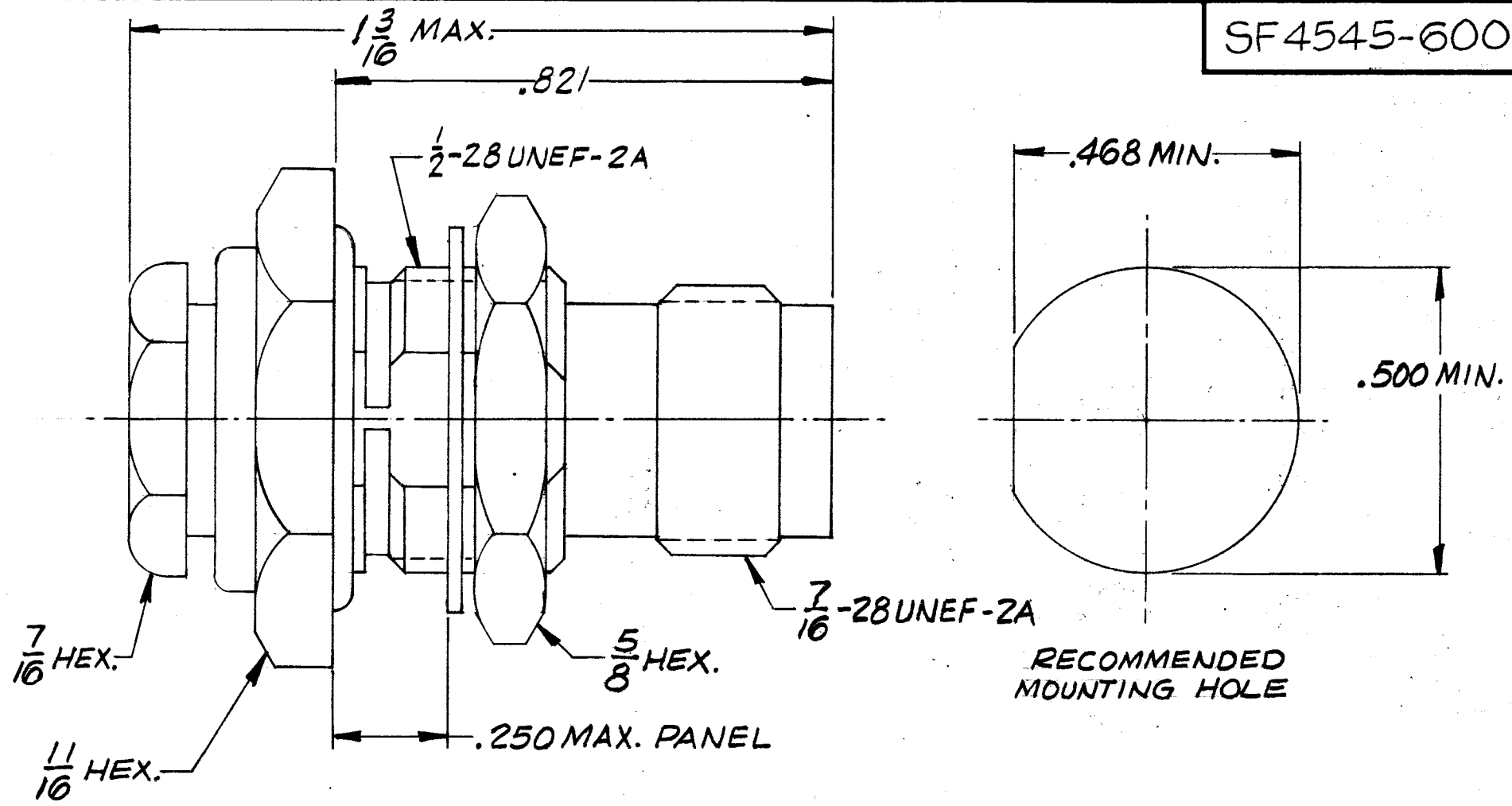


SF4545-6002



RECOMMENDED MOUNTING HOLE

SYM	DESCRIPTION	DATE	APPR.	UNLESS OTHERWISE SPECIFIED 1. REMOVE ALL BURRS 2. BREAK ALL CORNERS & EDGES .005 R MAX. 3. CHAMFER 1ST & LAST THREADS 45° 4. SURFACE ROUGHNESS 63 MIL-STD-10 5. DIAMETERS ON COMMON CENTERS TO BE CONCENTRIC WITHIN T.I.R. 6. ALL DIMENSIONS ARE AFTER PLATING DIMENSIONS ARE IN INCHES TOLERANCES <table border="1"> <tr> <td>DECIMALS</td> <td>FRACTIONAL</td> <td>ANGULAR</td> </tr> <tr> <td>.X ± .030</td> <td></td> <td>X' ± 1'0"</td> </tr> <tr> <td>.XX ± .015</td> <td>± 1/64</td> <td></td> </tr> <tr> <td>.XXX ± .005</td> <td></td> <td>X'X' ± 15'</td> </tr> </table>	DECIMALS	FRACTIONAL	ANGULAR	.X ± .030		X' ± 1'0"	.XX ± .015	± 1/64		.XXX ± .005		X'X' ± 15'	SOLITRON/MICROWAVE PORT SALERNO, FLORIDA	REF. ENGINEERING DATA DRAWING
DECIMALS	FRACTIONAL	ANGULAR																
.X ± .030		X' ± 1'0"																
.XX ± .015	± 1/64																	
.XXX ± .005		X'X' ± 15'																
-	RELEASE-F6061	9-21-77	DGG		MATERIAL	TITLE PTNC BULKHEAD CABLE JACK FOR RG-142/U												
				FINISH														
				SCALE	DRAWING NO.													
				95077	SF4545-6002													
				APPROVED DGG DATE 9/22/77	SHEET NO 1 OF 3 SHEETS													

SF4545-6002

NOTES:

1. MATING:

Interface Dimensions per Mil-C-39012/TNC Series and Solitron/Microwave MD-110.

2. MATERIALS:

All metal parts except for Contact: Cres per QQ-S-764, Class 303, Cond. A.
 Contact: Beryllium Copper per QQ-C-530, Cond. H.
 Insulators: Teflon per Mil-P-19468.
 O'Ring: Silicone Rubber per ZZ-R-765, Class II B, Grade 50 or 60.

3. FINISH:

All metal parts except for Contact: Passivate per QQ-P-35A, Type I.
 Contact: Gold per Mil-G-45204, Type II, Class 2, over Copper per Mil-C-14550, Class 4.

4. Connector Accommodates RG-142/U Cable.

5. For Cable Assembly Instructions see S/m 300-80-001, Trim 1.

SYM	DESCRIPTION	DATE	APPR.	UNLESS OTHERWISE SPECIFIED 1. REMOVE ALL BURRS 2. BREAK ALL CORNERS & EDGES .005 R MAX. 3. CHAMFER 1ST & LAST THREADS 45° 4. SURFACE ROUGHNESS 63 ✓ MIL-STD-10 5. DIAMETERS ON COMMON CENTERS TO BE CONCENTRIC WITHIN T.I.R. 6. ALL DIMENSIONS ARE AFTER PLATING	SOLITRON / MICROWAVE PORT SALERNO, FLORIDA	REF.
-	REL F-6061	9/77	DGG		MATERIAL	ENGINEERING DATA DRAWING
				DIMENSIONS ARE IN INCHES TOLERANCES	FINISH	TITLE PTNC BULKHEAD CABLE JACK FOR RG-142/U
				DECIMALS FRACTIONAL ANGULAR .X ± .030 X' ± 1'0" .XX ± .015 ± 1/64 X'X' ± 15" .XXX ± .005	SCALE	DRAWING NO.
				DRAWN R. GARVIN DATE 9-13-77	CODE IDENT. NO.	SF4545-6002
				CHECKED DATE	95077	A
				APPROVED DGG DATE 9/22/77		SHEET NO 2 OF 3 SHEETS

REQUIREMENT	RATING	REQUIREMENT	RATING
Nominal Impedance (ohms)	50	Vibration	MIL-STD-202 method 204 Cond. D (20G's)
Frequency Range (ghz)	DC-15.0		
Voltage Rating (max. vrms)	335	Shock	MIL-STD-202 method 213 Cond. I (100G's)
Temperature Rating (degrees centigrade)	-65 To +165	Temperature Cycling	MIL-STD-202 method 102 - Cond. C (-65°C To + 200°C)
VSWR (max.)	1.10 +.010xFGHZ		
Insertion Loss (dB max.)	.04 x√FGHZ	Corrosion	MIL-STD-202 method 101 Cond. B (48 hrs.)
RF Leakage (min. dB down)	100dB-FGHZ		
RF High Potential (max. vrms)	670 AT 5MHZ	Moisture Resistance	MIL-STD-202 method 106 less step 7b
Dielectric Withstanding Voltage (max. vrms)	1000		
Insulation Resistance (min. megohms)	5000	Barometric Pressure (Altitude)	MIL-STD-202 method 105 Cond. C (70,000 ft.) (250 vrms)
Contact Resistance Center Contact (max. milliohms)	1.5		
Outer Contact (max. milliohms)	.2	Hermeticity	N/A
Center Contact Axial Forces Insertion (max. ounces)	24.0		
Withdrawal (min. ounces)	2.0	Captivation (Lbs. Min. Axial Force)	6
Connector Durability (min. cycles)	500		
Connector Engagement & Disengagement (max. inch lbs.)	2.0		

REMARKS: 1.) RECOMMENDED MATING TORQUE: 30-35 INCH POUNDS