

NOTES: UNLESS OTHERWISE SPECIFIED

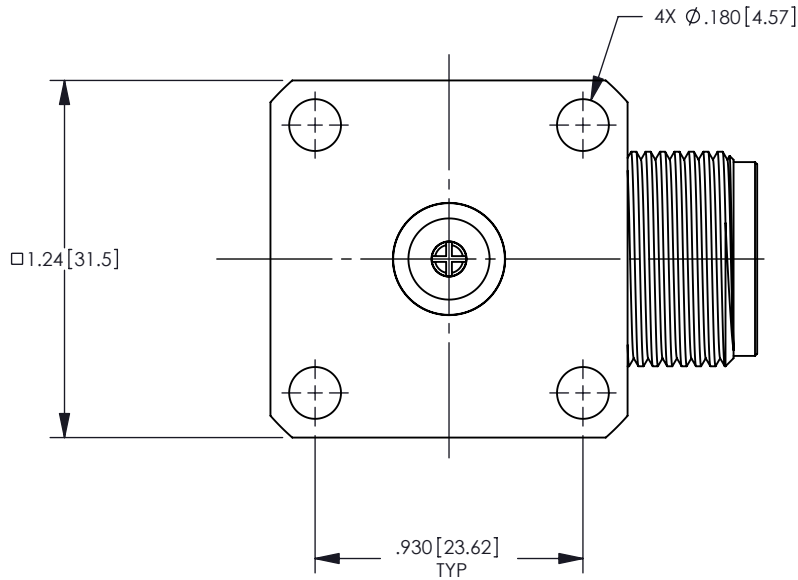
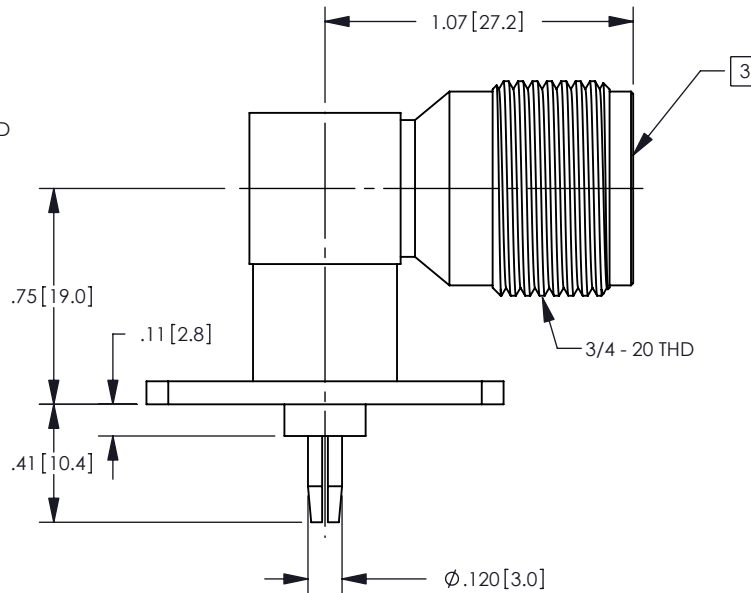
1. MATERIAL SPECIFICATIONS:
 CONTACTS: COPPER ALLOY
 OTHER METAL PARTS: BRASS
 INSULATORS: TEFLON

2. FINISH SPECIFICATIONS:
 CONTACTS: SILVER PLATED

ALL OTHER METAL PARTS: NICKEL PLATED

3 HN(F) INTERFACE PER MIL-STD-348, 317-2.

REV	DESCRIPTION	BY DATE	APPD
01	EWR07-2202	RAF 01/05/07	XXX



CATALOG P/N: 993-051-0020N

PER ASME Y14.5M-1994 UNLESS OTHERWISE SPECIFIED: DIMENSIONS ARE IN INCHES [MM] TOLERANCES: DECIMAL: .XX [X.X] ± .01 [0.3] .XXX [X.XX] ± .005 [0.13] .XXXX [X.XXX] ± .XXXX ANGLES: ± 2° SCALE: 2:1				<p>Winchester Electronics Corporation 62 Barnes Industrial Road North Wallingford, Connecticut 06492</p>	
CUSTOMER DRAWING					
DRAWN DATE APPROVED DATE RAF 1/05/07 XXX XX/XX/XX			CONNECTOR, COAXIAL, RF SERIES: HN(f) TO QC(m) ADAPTER, RIGHT ANGLE		
APPROVED DATE APPROVED DATE XXX XX/XX/XX XXX XX/XX/XX			A SD993-051-0020N SHT 1 OF 1		REV 01