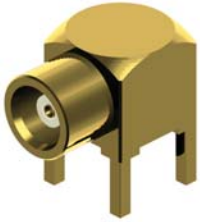


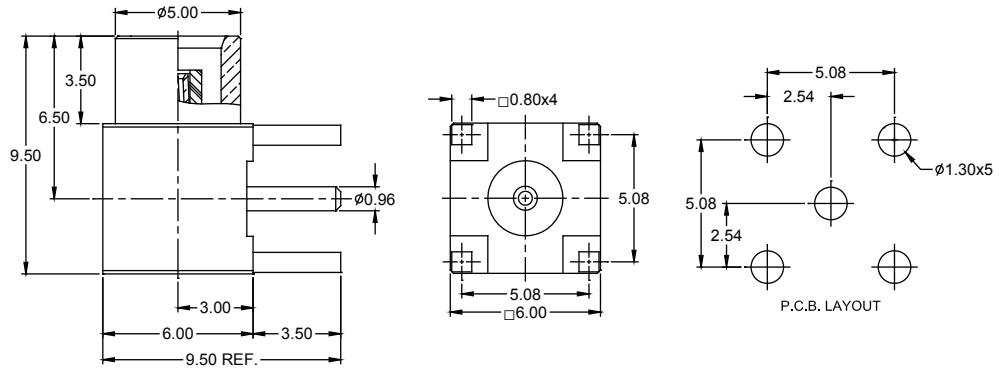
RF Connectors MCX Series



R/A THT JACK



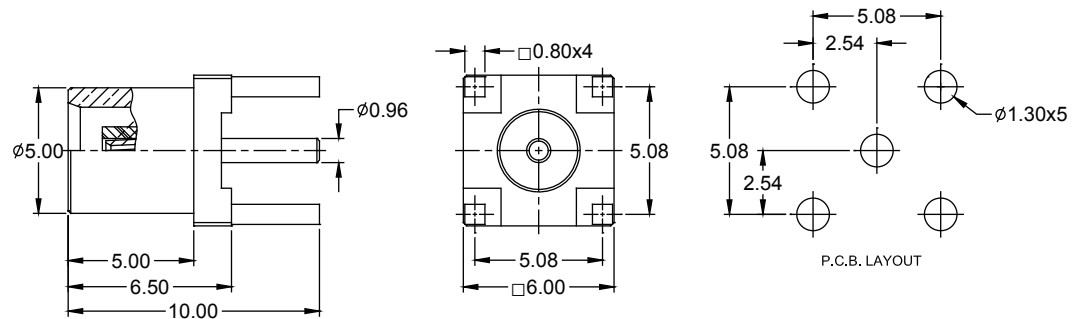
Order Code
RFJ-MCR-B1N592-58



STRAIGHT THT JACK



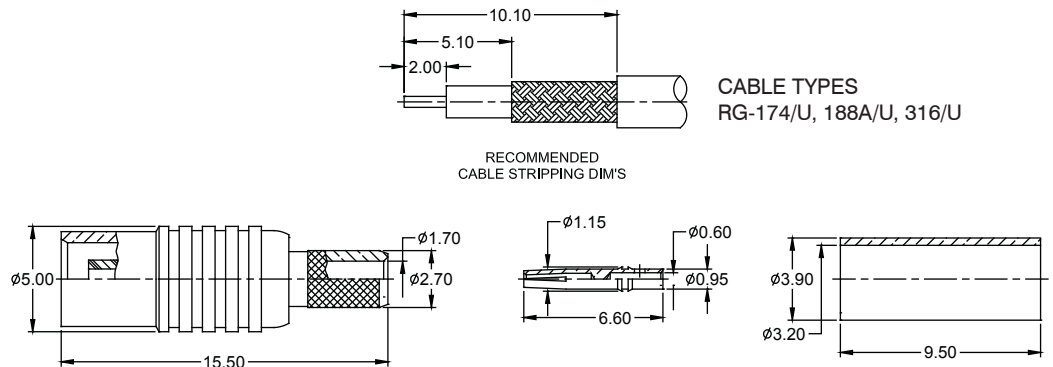
Order Code
RFJ-MCS-B1N592-58



CRIMP JACK



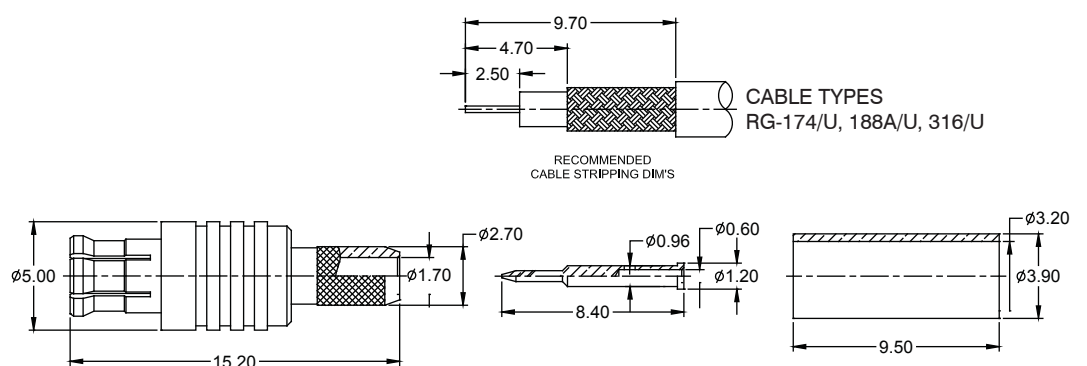
Order Code
RFJ-MCS-C1N502-58



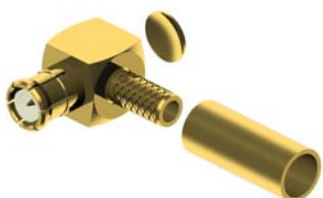
CRIMP PLUG



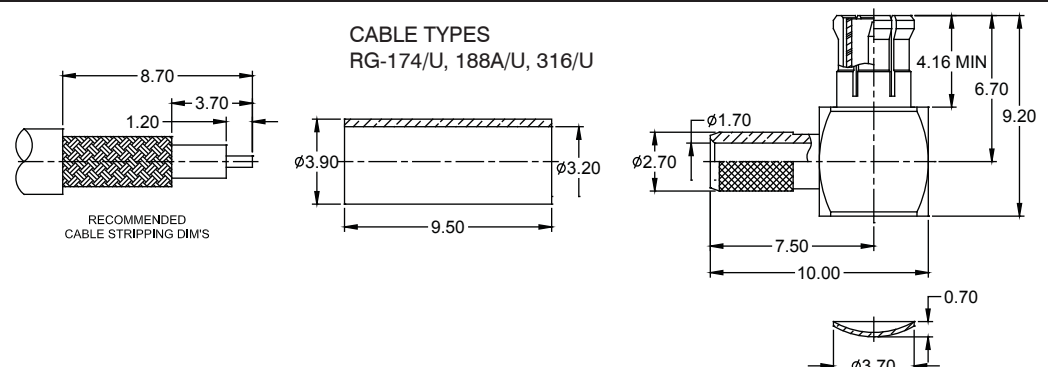
Order Code
RFP-MCS-C1N502-58



R/A CRIMP PLUG



Order Code
RFP-MCR-C1N502-58



Other MCX types available on request