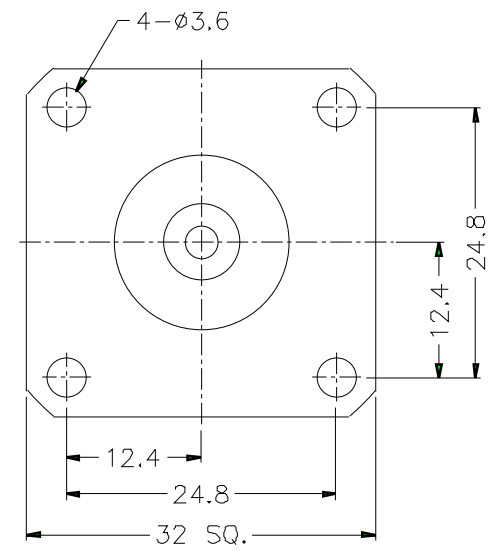
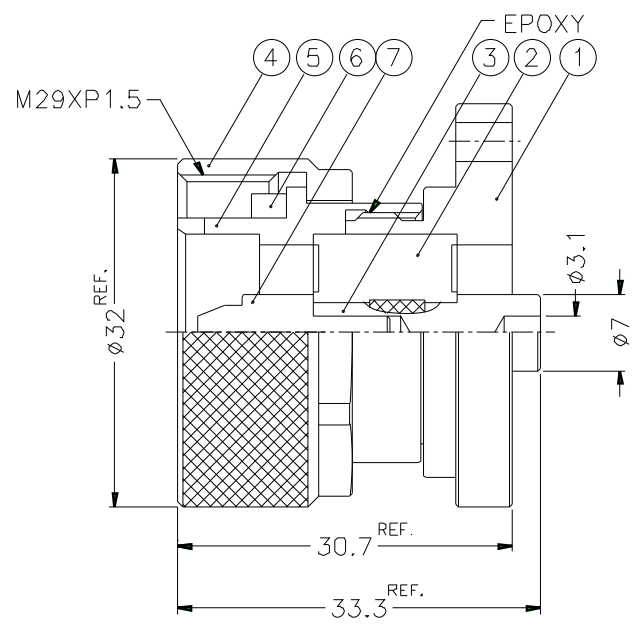


1			2			3			4			5			6			7			8		
REVISIONS																							
ISS	ZONE	DESCRIPTION\PER REQUEST\DATE																					



NOTES: FINISH (PLATING THICKNESS IN MICRO-INCHES)  
 1. BRASS PER QQ-B-626  
 2. SILVER PL. 120 MIN. THICK OVER COPPER STRIKE  
 3. SILVER PL. 200 MIN. THICK OVER COPPER STRIKE  
 4. TEFLON MIL-P-19468

7 CONTACT PIN						NOTE 1	NOTE 3	1	7162071A1-5	DIMENSIONS ARE IN MILLIMETERS		PART NO. 7161551A2-120STS-50		<h1>Amphenol</h1> <p>TITLE 7/16 PANEL RECEPTACLE PLUG          CENTER CONTACT WITH SOLDER BUCKET</p> <p>DRAWING NO. KJ-7161551A2-120STS-50</p> <p>ITEM NO.</p>					
6 GASKET						SILICONE	RED	1	GS-25/205X35	UNLESS OTHERWISE SPECIFIED TOLERANCES		APPROVED						DATE 10-11-01'	
5 CONTACT BODY						NOTE 1	NOTE 2	1	7162071A1-1	0.5-6 = ±0.2		CHECKED						DATE 10-11-01'	
4 SHELL						NOTE 1	NOTE 2	1	7161141A1-7	6-30 = ±0.4		DRAWN						DATE 10-11-01'	
3 CONTACT PIN						NOTE 1	NOTE 3	1	7161551A2-3	30-120 = ±0.6									
2 INSULATOR						NOTE 4	NATURAL	1	7161551B1-2T-50	120-315 = ±1									
1 HOUSING						NOTE 1	NOTE 2	1	7161551B1-1	315-1000 = ±1.6									
NO.	DESCRIPTION	MATERIAL	FINISH	Q'TY	DRAWING NO.	SCALE 1.5/1	ISSUE	A	FILE NO.										

1			2			3			4			5			6			7			8		
---	--	--	---	--	--	---	--	--	---	--	--	---	--	--	---	--	--	---	--	--	---	--	--