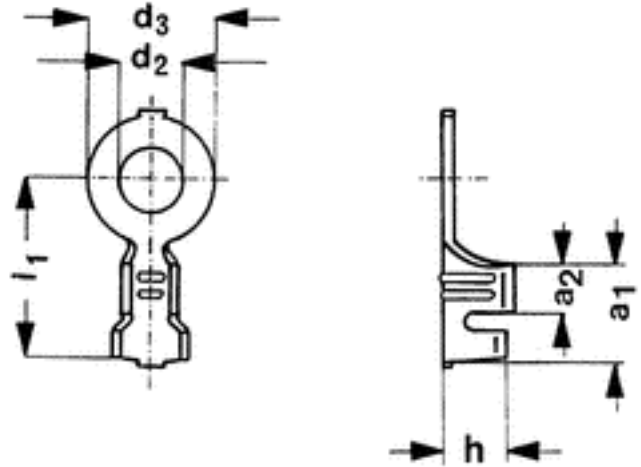




Characteristics and dimensions of terminals

Part number	25044.123.009
Specification	Claw terminal ring type
Material	CuZn
Form	Chain form
Transport	Longitudinal transport
Single part	X
Packing unit / piece	10000
Section area (mm ²)	0.50-1.00
Material thickness (mm)	0.50
a ₁	5.00
a ₂	2.50
d ₂	6.30
d ₃	9.00
h	3.60
l ₁	10.50



Note: The drawing only gives an overview of the geometry of the part. The crimp area is shown as supplied in strip form. A technical drawing is available on request.

[Contents of your inquiry](#)

Packing Units (per 10000 pieces)

CW