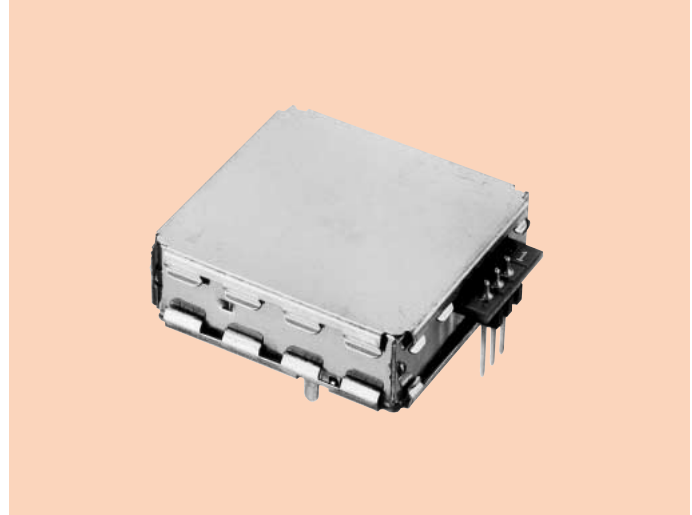


Data Receiving Module WMF-R14

Telecommunication component

FEATURES

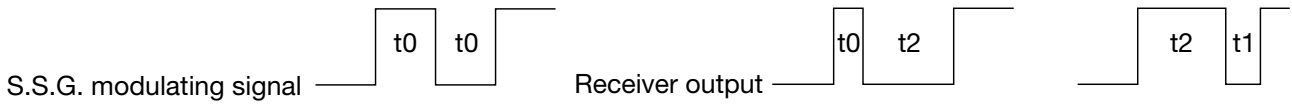
1. Light weight and thin type.
2. 5V supply voltage.
3. Low current consumption 6mA (typ.).
4. Transmission rate 2400 BPS.
5. Parts have been reduced to a large extent by using original IC.
6. Applicable over a wide temperature range (-30~+80°C) with high sensitivity.



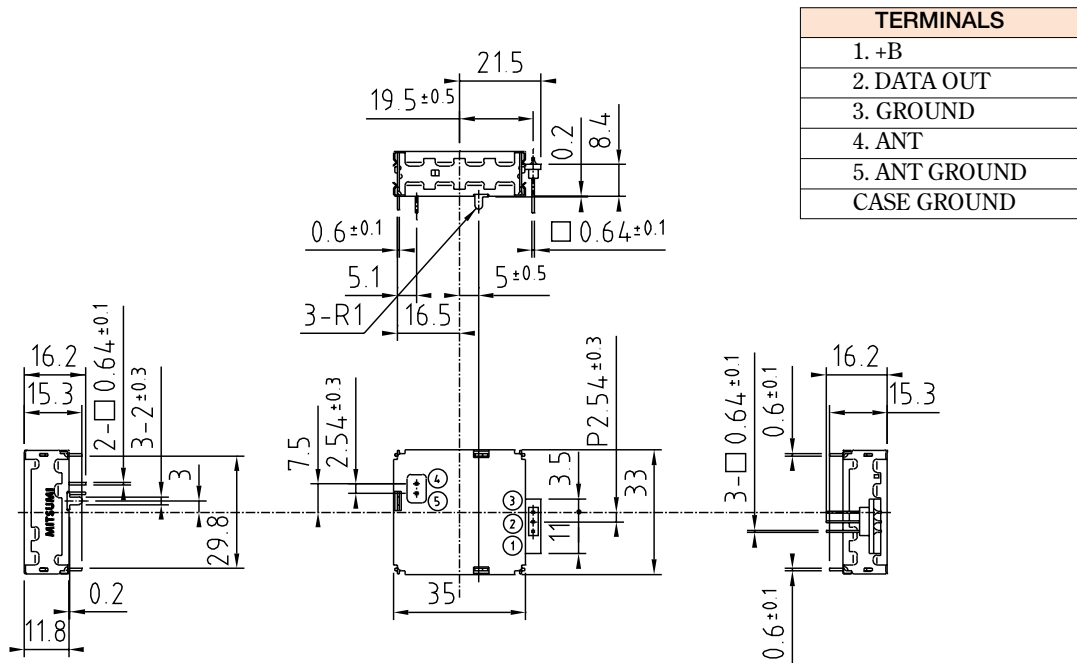
SPECIFICATIONS

Item	Specifications				Remarks
	min.	typ.	max.	unit	
Receiving Frequency	313.830	313.850	313.870	MHz	In case of *1t = 500μs
Frequency Response	min.	100		Hz	Condition *1 will apply
	max.		600		
Sensitivity		1	7	dBμ	
Image Rejection		35		dB	
Spurious Response	35			dB	
Freq. Drift vs. Ambient Temp. *A	-20	0	+20	kHz	
Supply Voltage	4.5	5.0	5.5	V	
Current Consumption		5.5	9	mA	
(Special Item)					
Withstanding Discharge	10			kV	Plus and minus electric discharges shall be performed ten times respectively after the rubber sheet has been placed on the steel plate and the hot pin has been inserted into the phonojack on the module (capacity : 200pF)

- *A Condition $20 \pm 25^{\circ}\text{C}$
- *1 Assuming the receiver is given $30\text{dB}\mu$ at a deviation of 40kHz DEV having a S.S.G. deviating signal of t_0 , the cycle of the receiver shall meet the requirements, $t_1 \geq t_0 \times 0.9$ and $t_2 \leq t_0 \times 1.1$.



DIMENSIONS



TERMINALS	
1.	+B
2.	DATA OUT
3.	GROUND
4.	ANT
5.	ANT GROUND
CASE GROUND	

Unit : mm