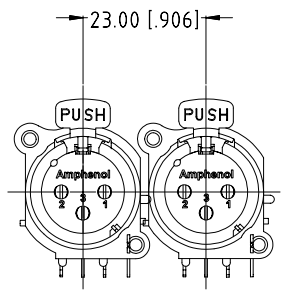
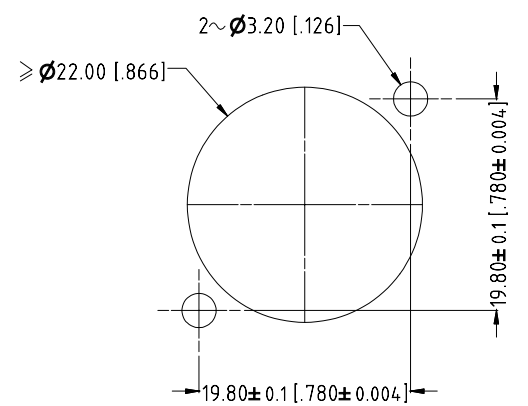


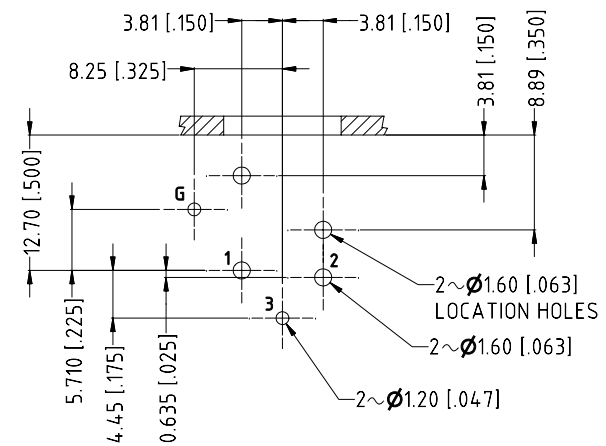
**ISO VIEW**  
SCALE 1:1



**MIN MOUNTING PITCH**  
SCALE 1:1



**PANEL CUT OUT**  
REAR VIEW



**PCB LAYOUT**  
COMPONENT SIDE  
TOLERANCE: ± 0.05mm [.002"]

UNLESS OTHERWISE SPECIFIED TOLERANCE TO BE:		THIS DOCUMENT IS THE PROPERTY OF AMPHENOL AUSTRALIA PTY. LTD. NO PART THEREOF MAY BE REPRODUCED AND USED WITHOUT THE PRIOR WRITTEN CONSENT OF THE OWNER				1	UPDATE FROM CUSTOMER DRAWING ADD PAGE 1 OF 2 FOR ASSEMBLY DRAWING	L.V	12-06-03	0185
LINEAR	ANGULAR					0	FIRST ISSUE	L.V	06-03-01	----
X ± 0.5	X' ± 1					REV.	CHANGE DETAILS	BY	DATE	CHG/No
XX ± 0.1	XX' ± 30'	CAD FILE: 55010040000221	DRN: L.V	DATE: 06-03-01	TITLE: AC3FAH2-AU A-TYPE HORIZ CUSTOMER DWG					
XXX ± 0.05	XXX' ± 15'	MATL: SEE COMPONENT	CKD: M.N.H	DATE: 20-06-03						
DO NOT SCALE		FINISH: SEE COMPONENT	APP'D: P.M	DATE: 30-06-03						
DIMENSIONS IN MILLIMETRES		THIRD ANGLE PROJECTION		SCALE: 2:1 UOS	PART No: 55010040-000	SIZE: A3	55010040-000-2		SHEET 2/2	

**Amphenol**  
Amphenol Australia Pty Ltd, 2 Fineweave Blvd, Keyborough, Vic3173