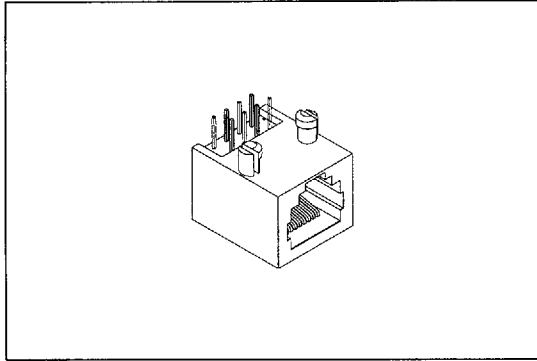


# 8949-B SERIES MODULAR JACK



### Material:

Housing: 30% Glass filled PBT UL94V-0.

Contacts: Phosphor Bronze.

Plating: Selective Gold plated on contact area over 50 $\mu$ " Nickel.

### Electrical Characteristics:

Current Rating: 2 AMP.

Insulator Resistance: 5000M  $\Omega$  min. at DC 500V.

Contact Resistance: 30m $\Omega$  max. at DC 100mA.

Operating Temperature: -55°C ~ +105°C.

Capacitance: 1.5pF max between adjacent contacts.

### Features:

- \* UL recognized, CSA listed.
- \* 50 $\mu$ " gold meets FCC 68 requirements.
- \* Available in 4, 6, 8, 10 position housing.
- \* Industry compatible profiles and foot prints.
- \* Available in selective loading.
- \* Contact pre-loaded and self aligned.

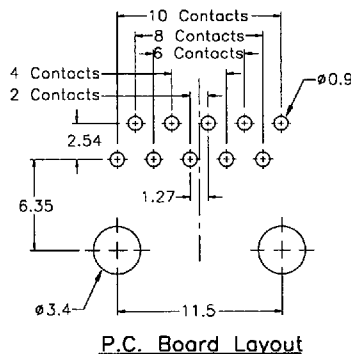
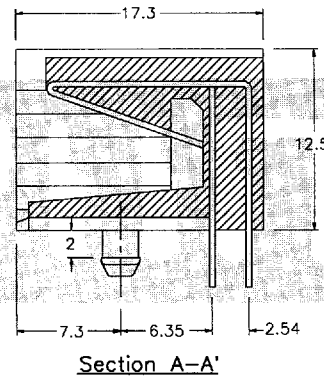
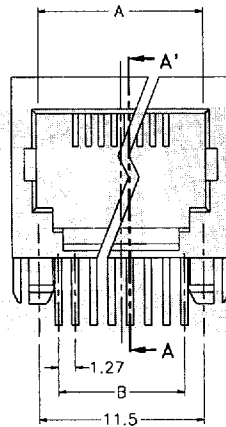
### Mechanical Characteristics:

Durability: 250 cycles.

Retention Force: 7.7kg between jack & plug.

### Max Total Mating

- Force: 2 contacts loaded -- 350g.
- 4 contacts loaded -- 500g.
- 6 contacts loaded -- 750g.
- 8 contacts loaded -- 900g.
- 10 contacts loaded -- 1100g.



No. of Position	No. of Contacts	Dimensions	
		A	B
4	4	7.80	3.81
6	2	9.80	1.27
6	4	9.80	3.81
6	6	9.80	6.35
8	8	11.80	8.89
10	10	11.80	11.43

## Ordering information

8949-B 10

Series 10: 10 Position Housing  
8: 8 Position Housing  
6: 6 Position Housing  
4: 4 Position Housing

10

10: 10 Contacts Loaded  
8: 8 Contacts Loaded  
6: 6 Contacts Loaded  
4: 4 Contacts Loaded  
2: 2 Contacts Loaded

/50

50: 50 $\mu$ " Gold Plated  
30: 30 $\mu$ " Gold Plated  
15: 15 $\mu$ " Gold Plated  
6: 6 $\mu$ " Gold Plated