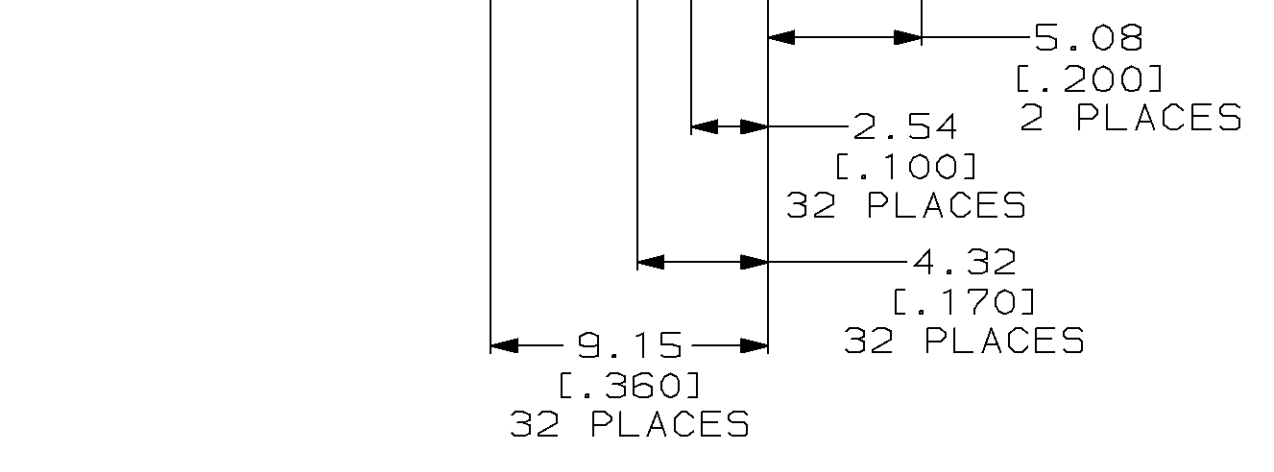
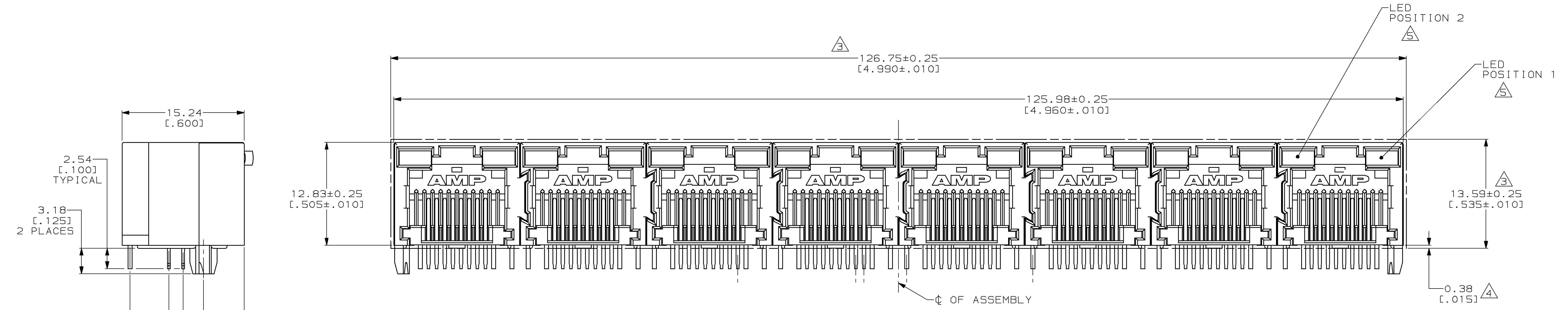


- MATERIAL:**
 HOUSING - HIGH TEMPERATURE THERMOPLASTIC, BLACK, UL94V-0.
 TERMINALS - .36[.014] THICK PHOS BRONZE PLATED WITH 3.81µm[.000150] MINIMUM THICK BRIGHT TIN LEAD IN SOLDER AREA. 1.27µm[.000050] MINIMUM GOLD IN LOCALIZED PLATE AREA. ENTIRE TERMINAL PLATED WITH 1.27µm[.000050] MINIMUM THICK NICKEL.
 LIGHT EMITTING DIODE (LED) - DIFFUSED EPOXY LENS, .51 x .51[.020 x .020] CARBON STEEL WIREFRAME LEADS PREPLATED WITH 2.29µm[.000090] SILVER OVER 1.02µm[.000040] NICKEL UNDERPLATE OVER 2.03µm[.000080] COPPER UNDERPLATE. POST-PLATED WITH 6.35-13.97µm[.000250-.000550] THICK TIN-LEAD.
- JACK CAVITY CONFORMS TO FCC RULES AND REGULATIONS PART 68, SUBPART F.
 - SUGGESTED PANEL OPENING DIMENSIONS.
 - SUGGESTED CLEARANCE BETWEEN BOTTOM OF CONNECTOR AND BOTTOM PANEL OPENING.
 - SEE TABLE FOR COLOR OF LEDs AND NUMBER REQUIRED.
 - THIS MODULAR JACK WITH INTEGRATED LED IS NOT IR REFLOW SOLDERING PROCESS COMPATIBLE.

SUGGESTED PRINTED CIRCUIT BOARD LAYOUT (COMPONENT SIDE)



ORANGE/GREEN	ORANGE/GREEN	406540-7
YELLOW	YELLOW	406540-6
GREEN	GREEN	406540-5
GREEN	YELLOW	406540-4
YELLOW	-	406540-3
-	GREEN	406540-2
YELLOW	GREEN	406540-1
POSITION 2	POSITION 1	PART NUMBER

INDICATOR COLOR FOR EACH HOUSING

THIS DRAWING IS A CONTROLLED DOCUMENT.		DWN T. SPRINKLE 23SEP97	AMP Incorporated Harrisburg, PA 17105-3608	
DIMENSIONS: mm [INCHES]		CHK T. SPRINKLE 23SEP97	AMP M. DERSTINE 23SEP97	
TOLERANCES UNLESS OTHERWISE SPECIFIED:		NAME		
0 PLC	±	PRODUCT SPEC		
1 PLC	±	108-1163-4		
2 PLC	+0.25(.01)	APPLICATION SPEC		
3 PLC	+0.13(.005)	114-2154		
4 PLC	±	WEIGHT		
ANGLES	±	A1 00779 C-406540		
FINISH		SCALE 4:1 SHEET 1 OF 1 REV A		
MATERIAL		CUSTOMER DRAWING		