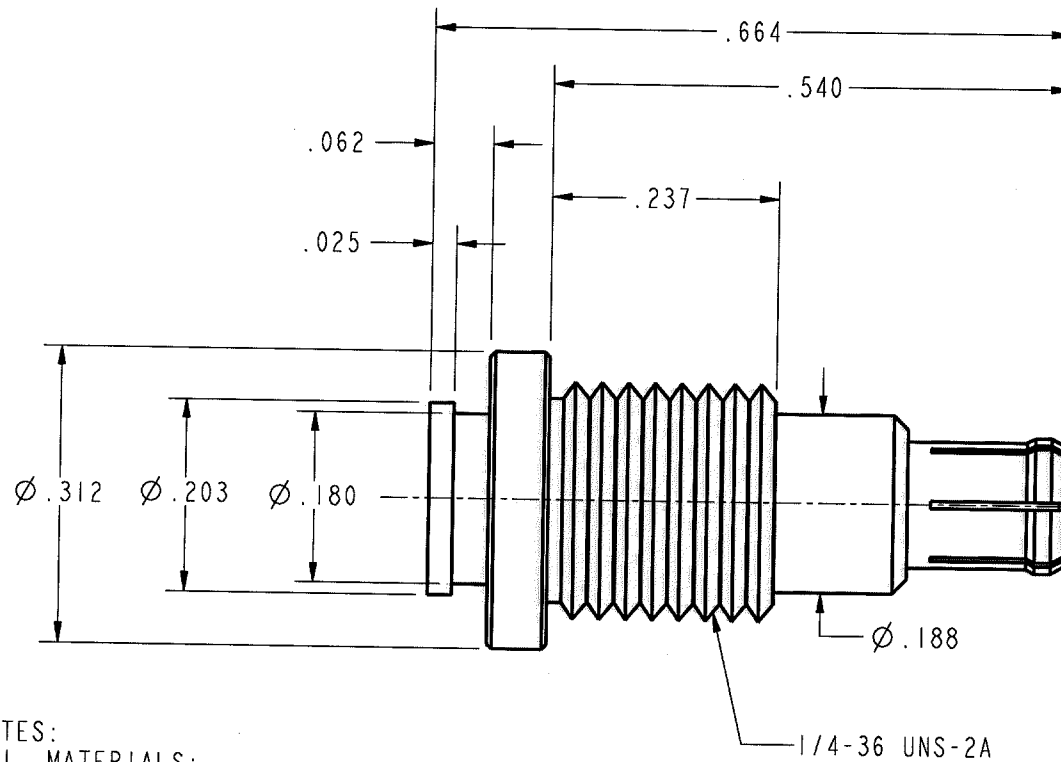


THIS INFORMATION IS PROPRIETARY AND CONFIDENTIAL. IT IS DISCLOSED TO YOU ON THE CONDITION THAT NO FURTHER DISCLOSURE IS MADE TO OTHER THAN RETCONN PERSONNEL WITHOUT WRITTEN AUTHORIZATION FROM RETCONN INC.

FSCM  
ODWJ4

CONTROLLED  
DOCUMENT

DWG. NO.  
450-074-0041N



NOTES:

1. MATERIALS:

BODY, NUT AND CONTACT: BRASS PER ASTM B16  
INSULATOR: TEFLON PER ASTM D1710  
OUTER CONTACT: BERYLLIUM COPPER PER ASTM B196  
LOCKWASHER: PHOSPHOR BRONZE PER ASTM B103

2. FINISH:

CONTACT: .000015 MIN. GOLD PER MIL-G-45204 OVER .000100  
MIN. COPPER PER MIL-C-14550  
ALL OTHER METAL PARTS: .000100 MIN. NICKEL PER QQ-N-290  
OVER COPPER FLASH

SALES DRAWING

**RETCONN** A SUBSIDIARY OF SPM  
199 W. PEARL ROAD TORRINGTON, CT 06790  
TEL. (860) 489-1220 FAX (860) 496-7307

TITLE MCX BULKHEAD PLUG

REV	DESCRIPTION OF CHANGE	DATE	DRN	APPR
B	ECN 2217	3/22/99	KJT	JMC
A	ECN 2201	3/3/99	KJT	JMC
-	RELEASED PER NPR 1221A	2/16/99	KJT	JMC

UNLESS OTHERWISE SPECIFIED  
ALL DIMENSIONS ARE NOMINAL AND  
FOR REFERENCE ONLY.  
DIMENSIONS IN INCHES  
DO NOT SCALE PRINT

MATERIAL:

FINISH:

DRAWN KJT	DATE 1/29/99	CHECKED JED	SCALE 5/1	SHEET 1 OF 1
APPR. JMC	DWG. NO. 450-074-0041N			REV. B

REVISIONS