



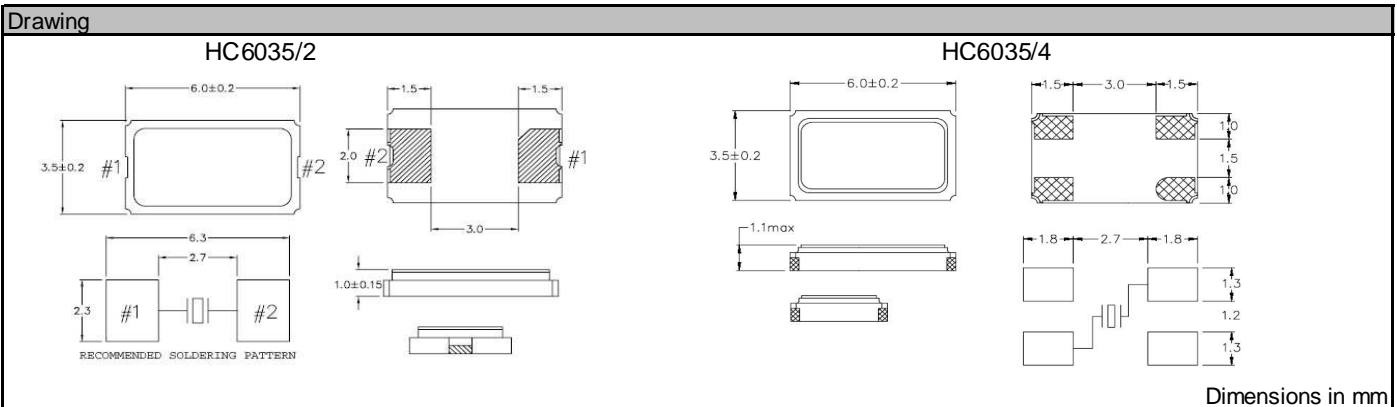
HC6035/2
HC6035/4

Features:

- SMD ceramic enclosures
- High reliability seam welded seal
- Frequency up to 125 MHz
- Ultra thin profile

Specifications			
	Symbol	HC6035	Remarks
Frequency range	f	8.000MHz ~ 50.000MHz	Fundamental mode
		40.000MHz ~ 125.000MHz	Overtone mode
Frequency tolerance, Ta=25°C	f/f	±10ppm ~ ±50ppm	Please specify
Load capacitance	C _L	10pF ~ 32pF	Please specify
Temperature tolerance	f/f	±10ppm ~ ±50ppm	Please specify
Temperature range	Storage temperature	T _{STG}	-40°C ~ +85°C
	Operating temperature	T _{OPR}	-20°C ~ +70°C
Drive level	Maximum drive level	M _{DL}	500µW
	Recommended drive level	R _{DL}	10µW ~ 100µW
Series resistance	R ₁	As per table	25°C ±3°C
Shunt capacitance	C ₀	7pF	Max
Insulation resistance	I _R	500M Ohm	Min
Aging	f _A	±3ppm/Year max	Others are offered

Resistance of series resonance (ESR)					
Frequency (MHz)	Mode	Ohm max	Frequency (MHz)	Mode	Ohm max
8 < f <= 12	Fundamental	80	25 < f <= 30	Fundamental	35
12 < f <= 16	Fundamental	60	30 < f <= 50	Fundamental	25
16 < f <= 25	Fundamental	50	40 < f <= 125	3rd OT	100



Order key								
Q	- 20.000000M	- HC6035/4	- F	- 50	- 50	- D	- 20	- TR
Part	Frequency	Package	Mode of oscillation	Frequency tolerance	Temperature tolerance	Temperature range	Load capacitance	Option
Q=Quartz	M=MHz	HC6035/2 HC6035/4	F=fund. 3=3.OT	±ppm (25°C)	±ppm (Temp. range)	A= 0°C ~ +70°C B= -10°C ~ +60°C C= -10°C ~ +70°C D= -20°C ~ +70°C E= -40°C ~ +85°C F= -40°C ~ +105°C G= -40°C ~ +125°C H= -20°C ~ +80°C I = -10°C ~ +50°C	pF SR=series	TR=Tape and reel X=Special options
		/2 = 2 pads /4 = 4 pads						