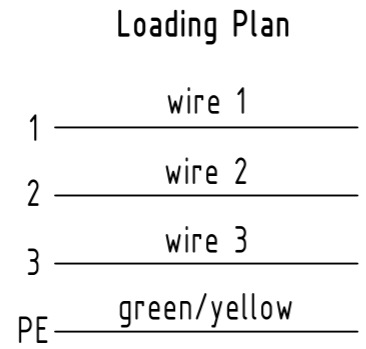
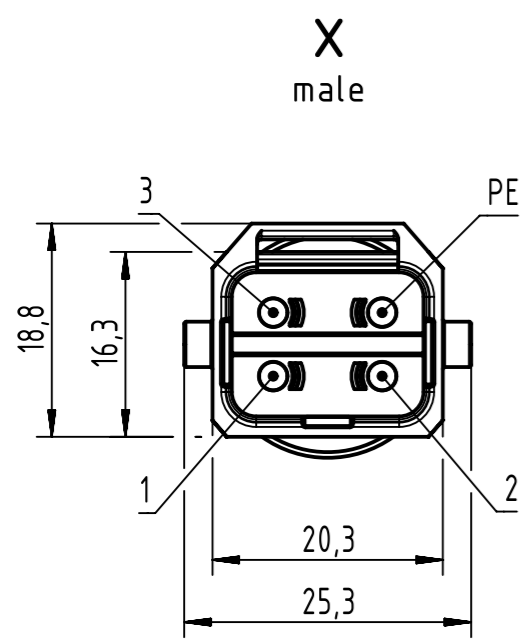
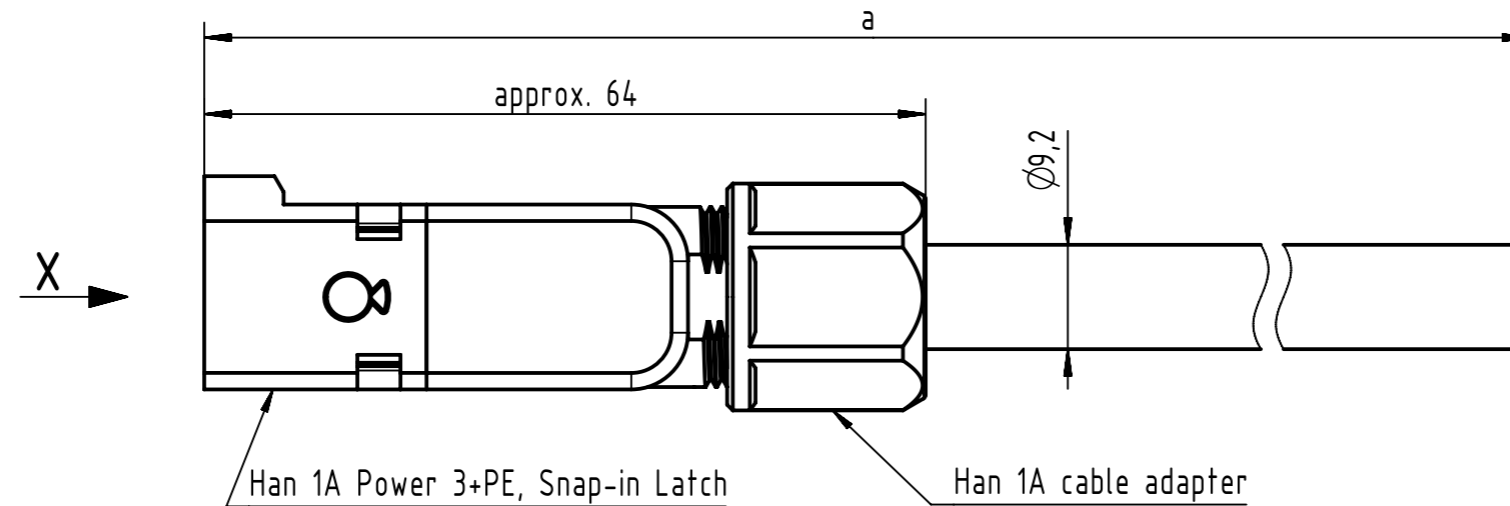
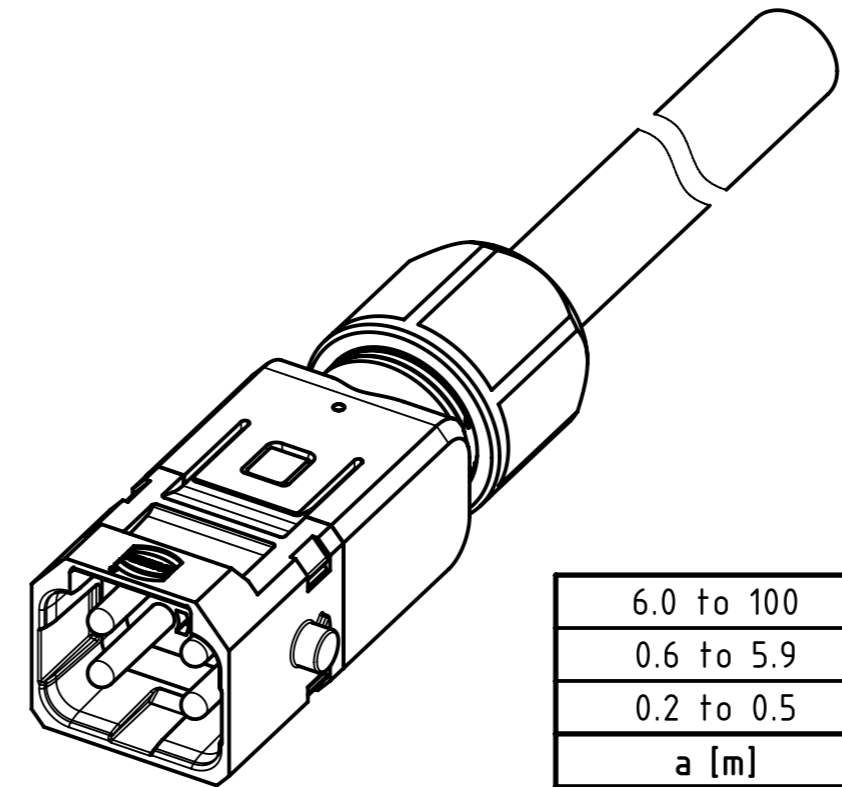


Connector Location A

Connector Location B



NOTE:
 * Silver plated contacts
 - Protection level: IP65
 - Temperature range: -30°C ... +80°C



| | |
|--------------|------------------|
| 6.0 to 100 | ±1% |
| 0.6 to 5.9 | +0.04 |
| 0.2 to 0.5 | +0.02 |
| a [m] | Tolerance |

| | | |
|-----------------------|--------------|------------|
| length in "1m" step | 100 | XXX=000 |
| | 99 | XXX=990 |
| | . | . |
| | 12 | XXX=120 |
| | 11 | XXX=110 |
| length in "0.1m" step | 10 | XXX=100 |
| | 9.9 | XXX=099 |
| | 9.8 | XXX=098 |
| | . | . |
| | 0.5 | XXX=005 |
| | 0.4 | XXX=004 |
| | 0.3 | XXX=003 |
| | 0.2 | XXX=002 |
| Step | a [m] | XXX |

| | |
|---|-----------------|
| JZ-500 4G2.5mm ² , PVC, grey | 33500400201XXX |
| Type of cable | Part no. |

| | | | | | | |
|---|---------------------|---------------------------------------|----------------------------------|--|--------------------|------------------------|
| | All rights reserved | Created by 402676 Gross | Inspected by COSTEA Costea | Standardisation MUNTEANV Muntean | Date 2020-04-02 | State Final Release |
| | Department HCS - RO | Title Han1A CA 3+PE +latch m/- PVC | | Doc-Key / ECM-Nr. 100838800/UGD/000/A 500000170249 | | |
| HARTING Customised Solutions D-32339 Espelkamp | | Type TB | Number 33500400201XXX | | Rev. A | Page 1/1 |