

6

5

4

3

2

1

MATERIAL AND FINISH

1. Body: Plastic (EVA)
2. Core: Nylon. UL-94V-2 rated
3. Contacts: Phosphor Bronze, Silver plated
4. Top & bottom cover: Phosphor Bronze, Nickel plated

MECHANICAL SPECIFICATIONS:

Applicable cable diameter: 3.5mm min. to 6.3mm max.
Soldering temperature: 350°C

ELECTRICAL SPECIFICATIONS:

Rated current: 2A
Rated voltage: 100VAC
Contact resistance: 20 Mohm max.
Insulation resistance: 100 Mohm min. at 500VDC
Dielectric withstanding voltage: 1000VAC for one minute

NOTES:

Dimensions apply only after assembly.

Contact arrangements mating face

No. of Contacts

3

4

5

6

7

8

PART NO.

DP-013

DP-014

DP-015

DP-016

DP-017

DP-018

REVISIONS

REV	DATE	CHANGE	CHNG	CHK	APPR
A	3/25/02	REV'D & UPDATED	TD	PB	

TOLERANCE
UNLESS OTHERWISE SPECIFIED

X ± 1
X.X ± 0.4
X.XX ± 0.20

Power Dynamics, Inc.

Phone: 973 560-0019 Whippany, New Jersey Fax: 973 560-0076

PART: 3 ~ 8 PIN DIN PLUG
ASSEMBLY TYPE

DRAWN BY	SLS	DATE:	10/13/98
CHECK BY	LH	DATE:	10/13/98
APPR BY	AH	DATE:	10/13/98

PART #:	DP-01X	SHEET	1 of 1
SIZE:	A	ALL DIMENSIONS FOR REFERENCE ONLY DIMENSIONS ARE IN MILLIMETERS	REV: A
SCALE:	NTS		

6

5

4

3

2

1

6

5

4

3

2

1

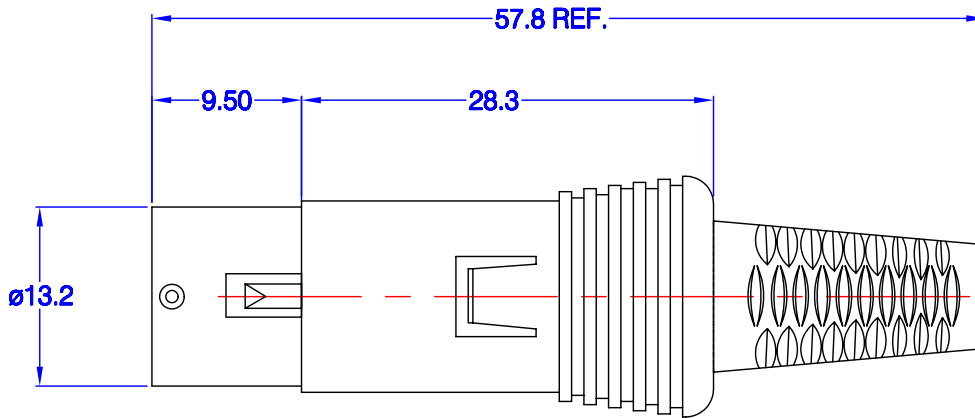
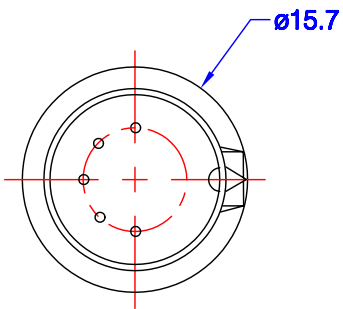
ELECTRICAL SPECIFICATIONS:

Rated current: 1 A

Rated voltage: 12 VDC

Insulator resistance: 50 megaohm min. at 500 VAC

Dielectric withstanding strength: 250 VAC for 1 minute



REV		DATE	CHANGE	CHNG	CHECK	APPR
A	4/27/00		ADD LIFE CYCLE	TD		

REVISIONS

TOLERANCE UNLESS OTHERWISE SPECIFIED	
X	± 1
XX	± 0.4
XXX	± 0.20
DRAWN BY	AH
CHECK BY	LH
APPR BY	SS
DATE:	7/28/98
DATE:	11/13/98
DATE:	11/13/98

Power Dynamics, Inc.

Phone: 973 560-0019 Whippary, New Jersey Fax: 973 560-0076

PART: 5 PIN, DIN PLUG

PART #: DP-025		SHEET 1 of 1
SIZE: A	ALL DIMENSIONS FOR REFERENCE ONLY DIMENSIONS ARE IN MILLIMETERS	
SCALE: NTS	REV: A	

6

5

4

3

2

1

6

5

4

3

2

1

MATERIAL AND FINISH

- Core (contact support): Nylon, UL 94V-2, color black.
- Top & bottom cover: Phosphor Bronze, Nickel plated
- Body: Nylon, UL-94V-2 rated, color black.
- Strain relief: PVC
- Contacts: Phosphor bronze, Silver plated.

MECHANICAL SPECIFICATIONS:

Recommended cable diameter: 3.5mm min. to 6.5mm max.
 Recommended soldering temperature: 300°C for 2~3sec.

ELECTRICAL SPECIFICATIONS:

Rated current: 2A
 Rated voltage: 100VAC
 Contact resistance: 20 mohm max.
 Insulation resistance: 100 Mohm min. at 500VDC
 Dielectric withstanding voltage: 1000VAC for one minute

NOTES:

Dimensions apply only after assembly.

Contact arrangements mating face

No. of Contacts

3

4

5

6

7

8

PART NO.

DP-043

DP-044

DP-045

DP-046

DP-047

DP-048

REVISIONS

REV	DATE	CHANGE	CHNG	CHK	APPR
A	6/18/02	REV'D & UPDATED	TD	PB	
B	2/18/04	ADD PIN DIA., DIM.	TD	PB	

TOLERANCE
UNLESS OTHERWISE SPECIFIED

X ± 1
 X.X ± 0.4
 X.XX ± 0.20

Power Dynamics, Inc.

Phone: 973 560-0019 Whippany, New Jersey Fax: 973 560-0076

PART: 3 ~ 8 PIN R/A DIN PLUG
ASSEMBLY TYPE

DRAWN BY	TD	DATE:	01/15/99
CHECK BY	JJ	DATE:	10/13/99
APPR BY	SS	DATE:	10/13/99

PART #:	DP-04X	SHEET	1 of 1
SIZE:	A	ALL DIMENSIONS FOR REFERENCE ONLY DIMENSIONS ARE IN MILLIMETERS	REV: B
SCALE:	NTS		

6

5

4

3

2

1

6

5

4

3

2

1

MATERIAL AND FINISH

Boot: Nylon UL 94V-2 rated, color black.

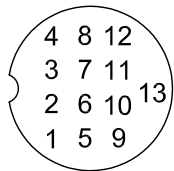
ELECTRICAL SPECIFICATIONS:

Rated current: 1 A max.

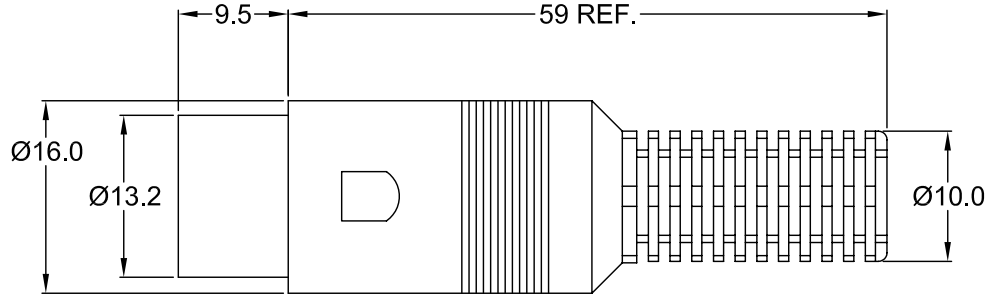
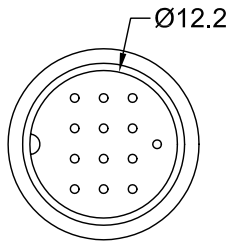
Rated voltage: 12 VDC

Insulator resistance: 50 Mohm min. at 250 VDC

Dielectric withstanding voltage: 250 VAC for 1 minute



PIN OUT
MATING FACE



REVISIONS	REV	DATE	CHANGE	CHK	CHK	APPR
	A	10/23/02	REVISED	TD	PB	

TOLERANCE UNLESS OTHERWISE SPECIFIED		
X	±	1
X.X	±	0.4
X.XX	±	0.20
DRAWN BY	TD	DATE: 10/29/99
CHECK BY	JJ	DATE: 10/29/99
APPR BY	SS	DATE: 11/2/99

Power Dynamics, Inc.		
Phone: 973 560-0019 Whippany, New Jersey Fax: 973 560-0076		
PART: 13 POSITION; DIN PLUG; ASSEMBLY TYPE		
PART #: DP-101		SHEET 1 of 1
SIZE: A	ALL DIMENSIONS FOR REFERENCE ONLY DIMENSIONS ARE IN MILLIMETERS	REV: A
SCALE: NTS		

6

5

4

3

2

1

6

5

4

3

2

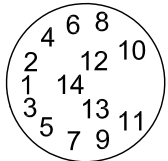
1

MATERIAL & FINISH

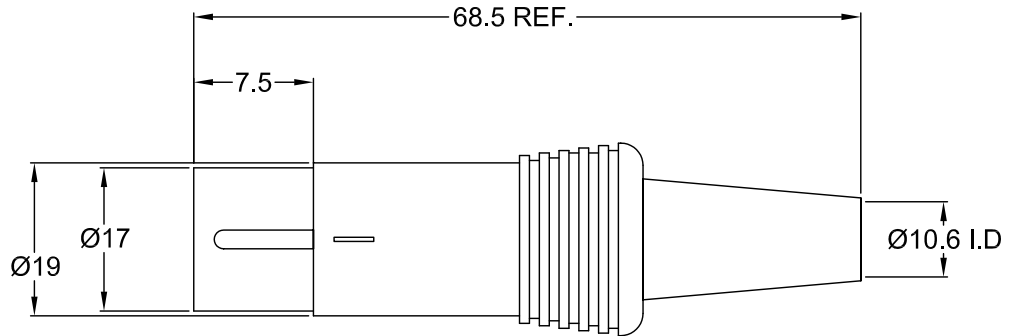
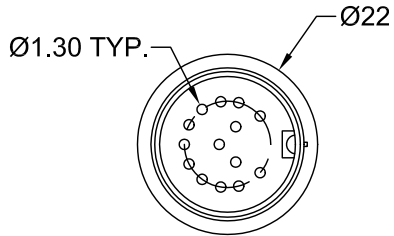
Shell: Phosphor bronze, Nickel plated.
Body: ABS, UL 94-V2
Contacts: Phosphor bronze, Nickel plated.
Contacts insulator: Nylon, UL 94-V2

ELECTRICAL SPECIFICATIONS:

Rated current: 1A max.
Rated voltage: 12VDC
Insulation resistance: 50Mohm min. at 250VAC
Dielectric withstanding voltage: 250VAC for 1 minute



PIN OUT
MATING FACE



REVISIONS	CHNG	CHK	APPR
	CHANGE		
	REV	DATE	

TOLERANCE UNLESS OTHERWISE SPECIFIED			
X	± 1		
X.X	± 0.4		
X.XX	± 0.20		
DRAWN BY	DT	DATE:	8/29/01
CHECK BY	BP	DATE:	8/31/01
APPR BY		DATE:	

Power Dynamics, Inc.	
Phone: 973 560-0019 Whippany, New Jersey Fax: 973 560-0076	
PART: 14 PIN DIN PLUG ASSEMBLY TYPE	
DP-102	
PART #:	SHEET 1 of 1
SIZE: A	ALL DIMENSIONS FOR REFERENCE ONLY DIMENSIONS ARE IN MILLIMETERS
SCALE: NTS	
REV:	

6

5

4

3

2

1

6

5

4

3

2

1

ELECTRICAL SPECIFICATIONS:

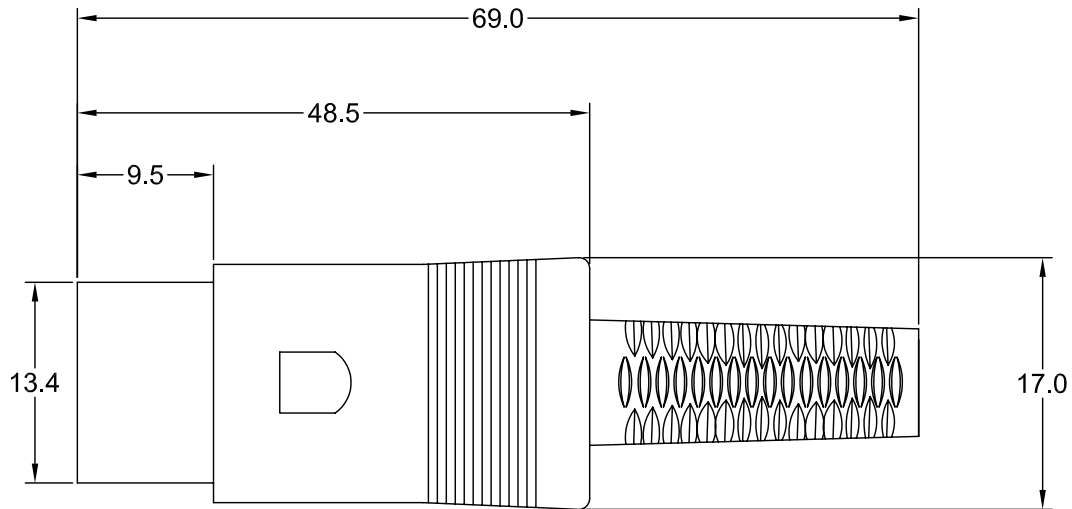
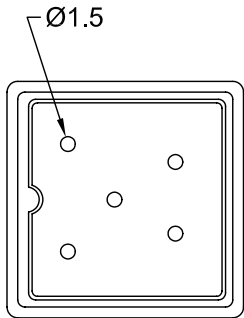
Rated Current: 1A

Rated Voltage: 12 VDC

Insulator Resistance: 50 Mohm min. at 250 VDC

Dielectric Withstanding Strength: 250 VAC for 1 minute

Housing Material: Nylon UL94V-0



REVISIONS

REV	DATE	CHANGE	CHKG	CHKD	APPR

TOLERANCE UNLESS OTHERWISE SPECIFIED	
X	± 1
X.X	± 0.4
X.XX	± 0.13

Power Dynamics, Inc.

Phone: 973 560-0019 Whippany, New Jersey Fax: 973 560-0076

PART: 5 PIN SQUARE DIN PLUG

DRAWN BY	DF	DATE:	6/8/05
CHECK BY		DATE:	
APPR BY		DATE:	

PART #: DP-215		SHEET
SIZE: A		1 of 1
SCALE: NTS	ALL DIMENSIONS FOR REFERENCE ONLY DIMENSIONS ARE IN MILLIMETERS	REV:

6

5

4

3

2

1

6

5

4

3

2

1

MATERIAL AND FINISH

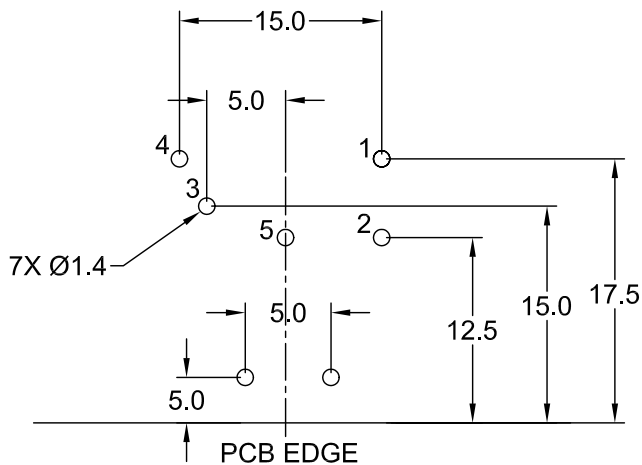
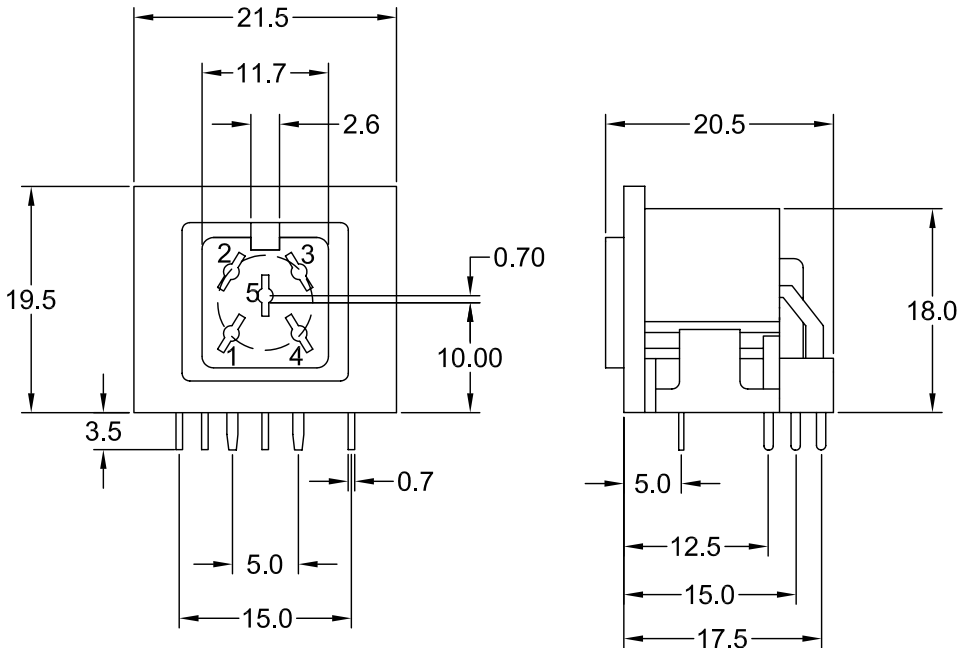
Body & Cover: P.B.T., UL-94V-0 rated
 Contacts: Brass, Tin plated
 Earth terminal: Phosphor bronze, Tin plated

MECHANICAL SPECIFICATIONS:

Insertion force: 5 kg max.
 Withdrawal force: 1 kg min.
 Durability: 5,000 cycles min. After testing, contact resistance shall not exceed 100 mohm max.

ELECTRICAL SPECIFICATIONS:

Rated current: 2A AC / 1A DC
 Rated voltage: 100VAC / 24VDC
 Contact resistance: 30 mohm max
 Insulation resistance: 100 Mohm min at 500VDC
 Dielectric withstanding voltage: 500VAC for one minute



RECOMMENDED PCB LAYOUT (TOP VIEW)

REVISIONS	CHNG	CHK	APPR
	DATE	CHANGE	

TOLERANCE UNLESS OTHERWISE SPECIFIED	
X	± 1
X.X	± 0.4
X.XX	± 0.13
DRAWN BY	DF
CHECK BY	DATE: 6/8/05
APPR BY	DATE:

Power Dynamics, Inc.
 Phone: 973 560-0019 Whippany, New Jersey Fax: 973 560-0076

PART: 5 PIN DIN SOCKET
 PCB MOUNT

PART #: DS-205		SHEET 1 of 1
SIZE: A	ALL DIMENSIONS FOR REFERENCE ONLY DIMENSIONS ARE IN MILLIMETERS	REV:
SCALE: NTS		

6

5

4

3

2

1

6

5

4

3

2

1

MATERIAL AND FINISH

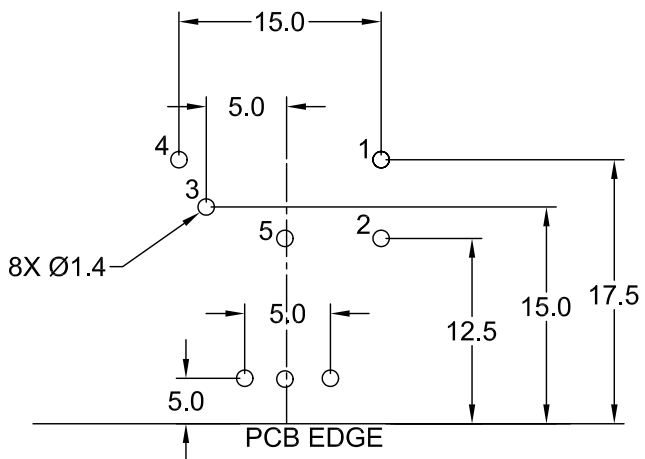
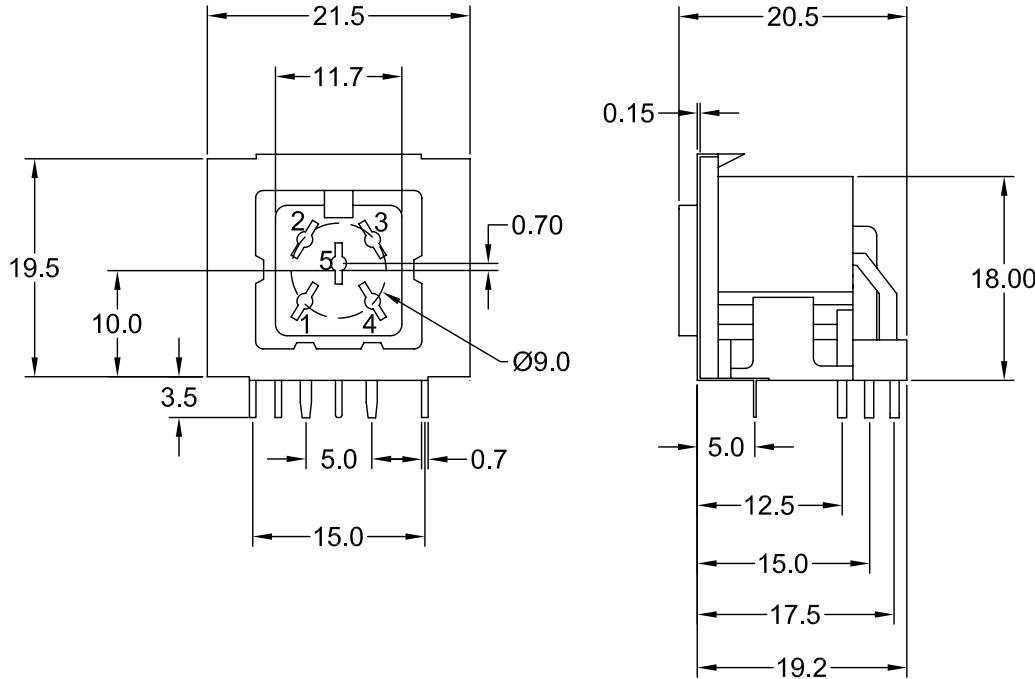
Body & Cover: P.B.T., UL-94V-0 rated
 Contacts: Brass, Tin plated
 Earth terminal: Phosphor bronze, Tin plated
 Shield: Phosphor bronze, Nickel plated

MECHANICAL SPECIFICATIONS:

Insertion force: 5 kg max.
 Withdrawal force: 1 kg min.
 Durability: 5,000 cycles min. After testing, contact resistance shall not exceed 100 mohm max.

ELECTRICAL SPECIFICATIONS:

Rated current: 2A AC / 1A DC
 Rated voltage: 100VAC / 24VDC
 Contact resistance: 30 mohm max
 Insulation resistance: 100 Mohm min at 500VDC
 Dielectric withstanding voltage: 500VAC for one minute



RECOMMENDED PCB LAYOUT (TOP VIEW)

REV	DATE	CHNG	CHK	APPR
		CHANGE		
		REVISIONS		

TOLERANCE UNLESS OTHERWISE SPECIFIED	
X	± 1
X.X	± 0.4
X.XX	± 0.13
DRAWN BY	DF
CHECK BY	DATE: 6/8/05
APPR BY	DATE:

Power Dynamics, Inc.
 Phone: 973 560-0019 Whippany, New Jersey Fax: 973 560-0076

PART: 5 PIN DIN SOCKET W/ SHIELD PCB MOUNT

DS-215

SIZE: A
 SCALE: NTS

ALL DIMENSIONS FOR REFERENCE ONLY
 DIMENSIONS ARE IN MILLIMETERS

SHEET 1 of 1
 REV:

6

5

4

3

2

1