



8253/8253-5 PROGRAMMABLE INTERVAL TIMER

- MCS-85 Compatible 8253-5
- 3 Independent 16-Bit Counters
- DC to 2.6 MHz
- Programmable Counter Modes
- Count Binary or BCD
- Single +5V Supply
- Available in EXPRESS
 - Standard Temperature Range
 - Extended Temperature Range

The Intel 8253 is a programmable counter/timer device designed for use as an Intel microcomputer peripheral. It uses NMOS technology with a single +5V supply and is packaged in a 24-pin plastic DIP.

It is organized as 3 independent 16-bit counters, each with a count rate of up to 2.6 MHz. All modes of operation are software programmable.

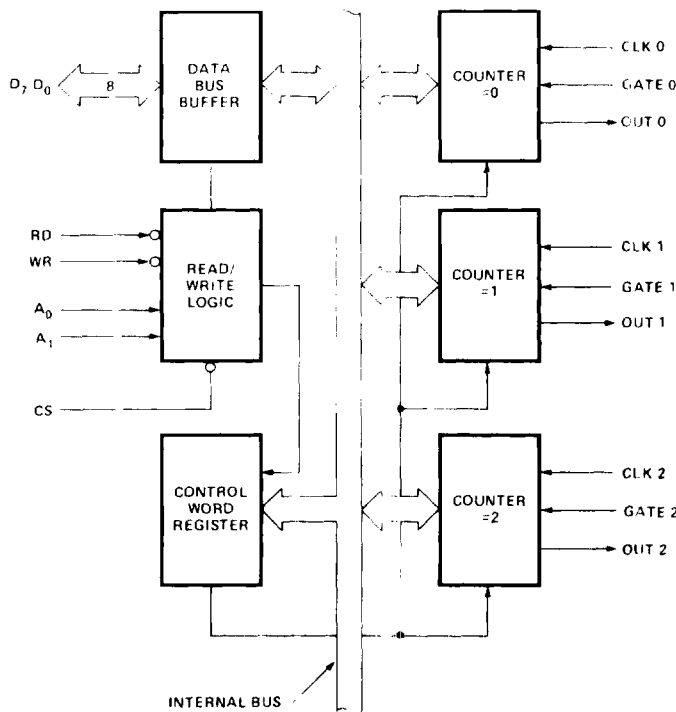


Figure 1. Block Diagram

231306-1

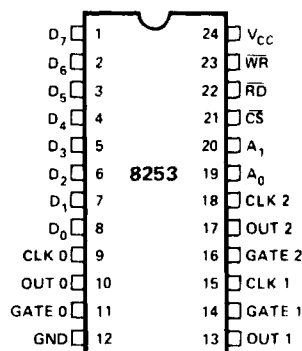


Figure 2. Pin Configuration

The complete document for this product is available on Intel's "Data-on-Demand" CD-ROM product. Contact your local Intel field sales office, Intel technical distributor, or call 1-800-548-4725.