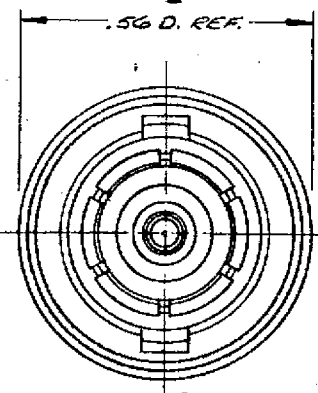
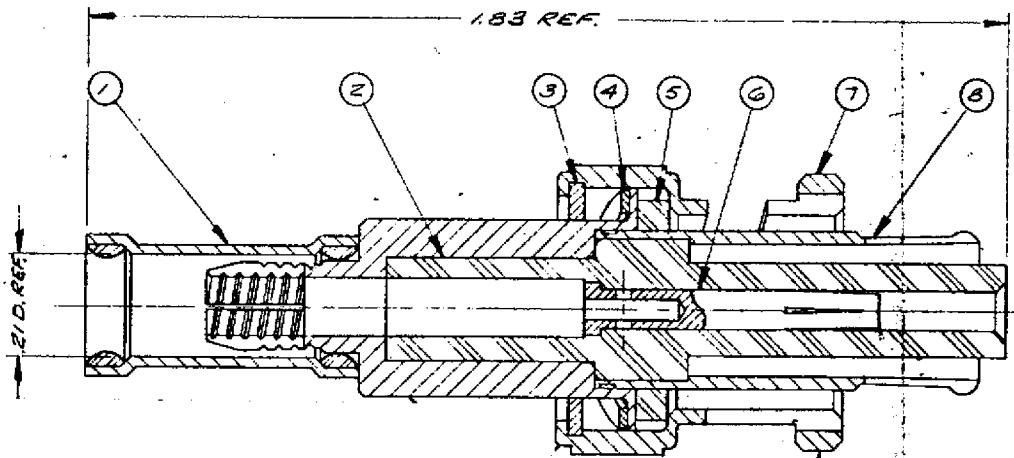


DASH NO.	DESCRIPTION	MADE FROM
----------	-------------	-----------

REVISIONS

ISSUE	CHANGES
5	CN 170128 MJB 6 APR 78
6	CN 32451 C KH 10 SEP 90

1705-2
(SMT 1 OF 2)



STAMP: KINGS 1705-2

SCALE: A/1

- NOTES:
1. FOR USE WITH RG-58, 58A, 58C, 141 & 141A/U CABLE.
 2. FOR CABLING INSTRUCTIONS SEE CP-441.
 3. FOR CABLE TRIMMING USE KTJ-72 & KTD-136.
 4. FOR CRIMPING USE DIE SIZE 61.

SD

USED ON:	
REF:	NBS NO-545C
FINISH:	
SPEC:	KER 10004
MATL:	
SPEC:	
SHV PLUG	
DRAWN BY:	MJB DATE: 6 APR 78
APPR:	GIND DATE: 23 APR 78

UNLESS OTHERWISE SPECIFIED:

- | | |
|---|--|
| 1. TOLERANCES: FRACTIONS & 2 PLACE DECIMALS ± .010
3 PLACE DECIMALS ± .004
T. I. R. CONCENTRICITY OF ANY 2 DIAMETERS MAY NOT EXCEED HALF THE SUM OF THEIR TOLERANCES. | 2. REMOVE ALL BURRS. BREAK SHARP EDGES .005 MAX.
3. NO FILLETS PERMITTED. |
| | 4. SURFACE ROUGHNESS 63 MICROINCHES RMS MAX. |
| | 5. ALL DIMENSIONS PRIOR TO PLATING. |

ITEM	REQ'D	DESCRIPTION	PART NO.

KINGS ELECTRONICS
40 MARPLEDALE ROAD
TUCKAHOE, N. Y. 10707

1705-2

SD (SHEET 1 OF 2)