

SAFE HIGH VOLTAGE PLUG ✓ ACTIVE

SHV

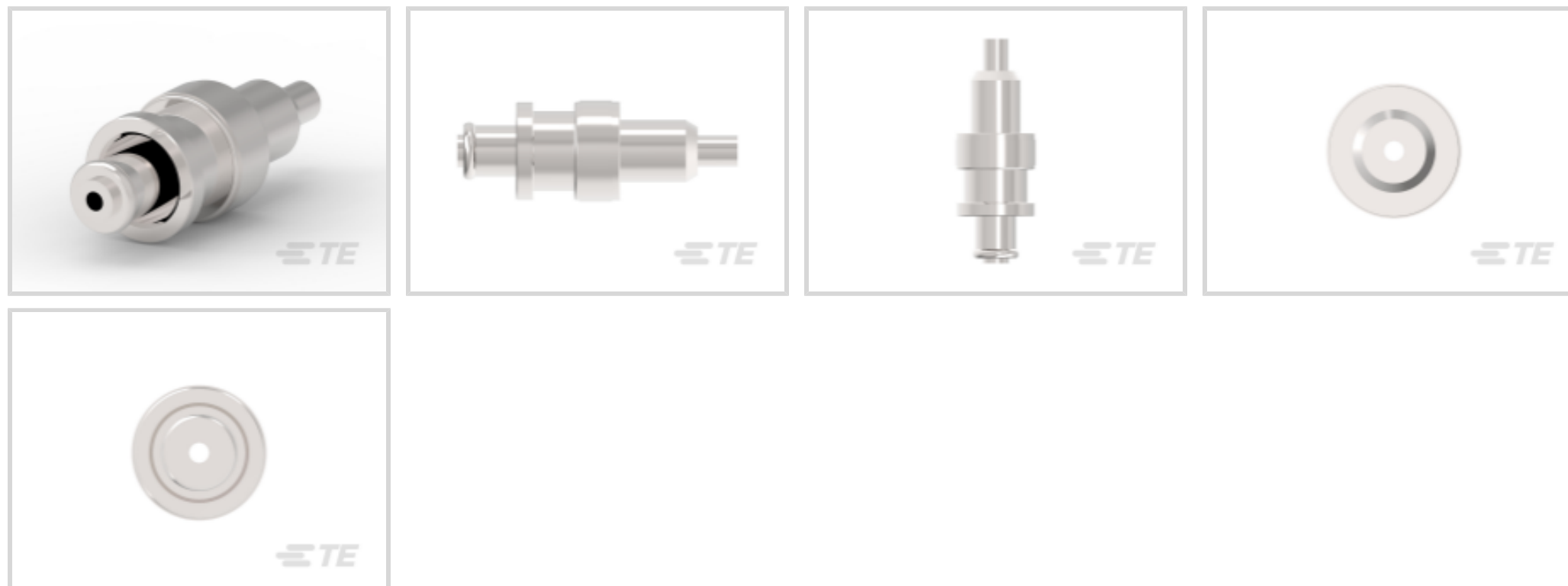
TE Part # 5051426-8

TE Internal #: 5051426-8

[View on TE.com >](#)



Connectors > RF & Coax Connectors > RF Connectors



RF Interface: **SHV**

RF Connector Style: **Plug**

RF Connector Mated Outer Diameter (Approximate): **14.43 mm [.568 in]**

Cable Type: **RG 174, RG 188, RG 188A, RG 316**

RF Connector Coupling Mechanism: **Bayonet**

Features

Product Type Features

RF Interface	SHV
RF Connector Style	Plug
Connector System	Cable-to-Board
Sealable	Yes
Connector & Contact Terminates To	Wire & Cable
Connector Seal Type	Gasket

Configuration Features

Port Configuration	Single Port
Number of Positions	1
Number of Coaxial Contacts	1

Body Features

Cable Connector Orientation	Straight
Body Material	Brass
Body Finish	Bright
Body Plating Material	Nickel

Contact Features

Crimp Type	Dual
RF Connector Center Contact Plating Material	Gold
RF Connector Center Contact Material	Beryllium Copper

Termination Features

Termination Method to Wire & Cable	Crimp
------------------------------------	-------

Mechanical Attachment

RF Connector Coupling Mechanism	Bayonet
Connector Mounting Type	Cable Mount (Free-Hanging)
RF Contact Captivation Method	Mechanical
Detent	With

Dimensions

RF Connector Mated Outer Diameter (Approximate)	14.43 mm[.568 in]
---	-------------------

Usage Conditions

Cable Type	RG 174, RG 188, RG 188A, RG 316
Operating Temperature Range	-55 – 155 °C[-67 – 311 °F]

Operation/Application

Operating Frequency	.3 GHz
---------------------	--------

Packaging Features

Packaging Method	Carton
------------------	--------

Other

Dielectric Material	PTFE
---------------------	------

Product Compliance

[For compliance documentation, visit the product page on TE.com>](#)

EU RoHS Directive 2011/65/EU	Compliant with Exemptions
EU ELV Directive 2000/53/EC	Compliant with Exemptions
China RoHS 2 Directive MIIT Order No 32, 2016	Restricted Materials Above Threshold
EU REACH Regulation (EC) No. 1907/2006	Current ECHA Candidate List: JAN 2019 (197) Candidate List Declared Against: JAN 2019 (197)
Halogen Content	BFR/CFR/PVC Free, but Br/Cl >900 ppm in

other sources.

Solder Process Capability

Not applicable for solder process capability

Product Compliance Disclaimer

This information is provided based on reasonable inquiry of our suppliers and represents our current actual knowledge based on the information they provided. This information is subject to change. The part numbers that TE has identified as EU RoHS compliant have a maximum concentration of 0.1% by weight in homogenous materials for lead, hexavalent chromium, mercury, PBB, PBDE, DBP, BBP, DEHP, DIBP, and 0.01% for cadmium, or qualify for an exemption to these limits as defined in the Annexes of Directive 2011/65/EU (RoHS2). Finished electrical and electronic equipment products will be CE marked as required by Directive 2011/65/EU. Components may not be CE marked. Additionally, the part numbers that TE has identified as EU ELV compliant have a maximum concentration of 0.1% by weight in homogenous materials for lead, hexavalent chromium, and mercury, and 0.01% for cadmium, or qualify for an exemption to these limits as defined in the Annexes of Directive 2000/53/EC (ELV). Regarding the REACH Regulations, TE's information on SVHC in articles for this part number is still based on the European Chemical Agency (ECHA) 'Guidance on requirements for substances in articles' (Version: 2, April 2011), applying the 0.1% weight on weight concentration threshold at the finished product level. TE is aware of the European Court of Justice ruling of September 10th, 2015 also known as O5A (Once An Article Always An Article) stating that, in case of 'complex object', the threshold for a SVHC must be applied to both the product as a whole and simultaneously to each of the articles forming part of its composition. TE has evaluated this ruling based on the new ECHA "Guidance on requirements for substances in articles" (June 2017, version 4.0) and will be updating its statements accordingly.

Compatible Parts



RF Connectors(17)

Also in the Series | SHV



In-Series Adapters(1)



Power Cable Assemblies(2)



RF Connectors(17)

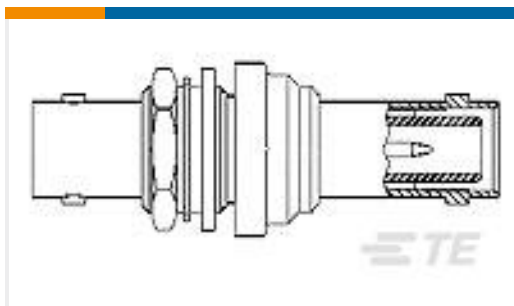
Customers Also Bought

SAFE HIGH VOLTAGE PLUG

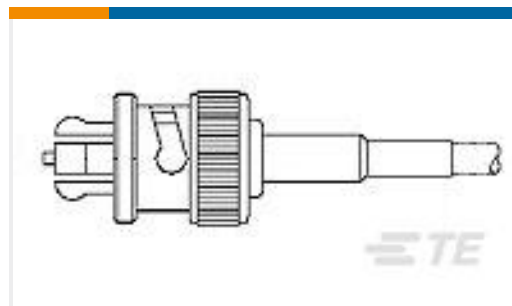
TE Part # 5051426-8
TE Internal #: 5051426-8



TE Part #211010-4
CONN SAVER,15 POSN,
AMPLIMITE



TE Part #225064-2
SHV FEED THRU ADAPT



TE Part #5051426-4
SAFE HIGH VOLTAGE
PLUG



TE Part #5330876
BNC PLUG



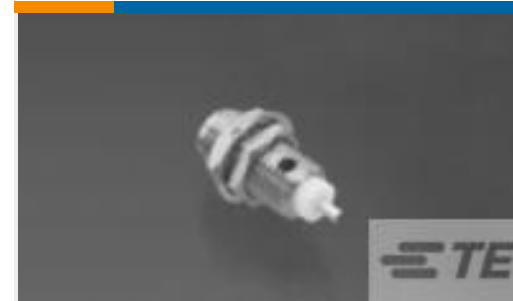
TE Part #1618241-5
K81A235=RELAY,
VACUUM, SPST-NO



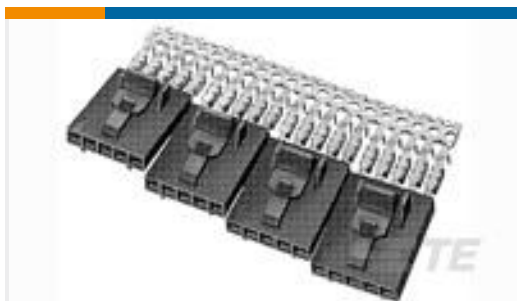
TE Part #212561-2
CONN SAVER,SZ 3,
AMPLIMITE



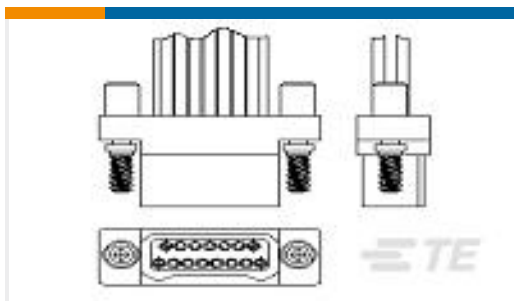
TE Part #211011-4
AMPLIMITE CONN SVR,26
POS,TRW



TE Part #1053111-1
2056 5168 00



TE Part #5-103959-1
10X2 MTE RCPT SR
LATCH .100CL



TE Part #1589946-6
STM015PC2DC018Q =
Wdualobe

Documents

Product Drawings

[SAFE HIGH VOLTAGE PLUG](#)

English

CAD Files

Customer View Model

[ENG_CVM_5051426-8_A1.2d_dxf.zip](#)

English

Customer View Model

[ENG_CVM_5051426-8_A1.3d_igs.zip](#)

English

Customer View Model

[ENG_CVM_5051426-8_A1.3d_stp.zip](#)

English

[3D PDF](#)

English

Product Environmental Compliance

[TE Material Declaration](#)

SAFE HIGH VOLTAGE PLUG

TE Part # 5051426-8
TE Internal #: 5051426-8



English