

PREVIEW

**Features**

- Pin for Pin Replacement for the HC-5504 With Added Low Voltage +5V (VB+) Capability
- Monolithic Integrated Device
- DI High Voltage Process
- Compatible With Worldwide PBX Performance Requirements
- Controlled Supply of Battery Feed Current for Short Loops (41mA)
- Internal Ring Relay Driver
- Allows Interfacing With Negative Superimposed Ringing Systems
- Low Power Consumption During Standby
- Switch Hook Ground Key and Ring Trip Detection Functions
- Selective Denial of Power to Subscriber Loops

**Applications**

- Solid State Line Interface Circuit for Analog and Digital PBX Systems
- Direct Inward Dial (DID) Trunks
- Voice Messaging PBXs

**Description**

The Harris SLIC incorporates many of the BORSHT functions on a single IC chip. This includes DC battery feed, a ring relay driver, supervisory and hybrid functions. This device is designed to maintain transmission performance in the presence of externally induced longitudinal currents.

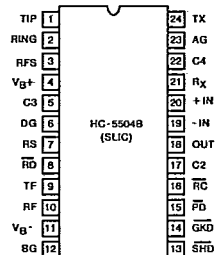
The SLIC also provides selective denial of power. If the PBX system becomes overloaded during an emergency, the SLIC will provide system protection by denying power to selected subscriber loops.

The Harris SLIC is ideally suited for the design of new PBX systems, by eliminating bulky hybrid transformers.

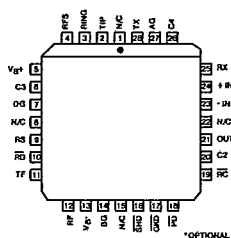
SLIC is available in either a 24 pin Dual-in-Line Plastic or Ceramic package. The SLIC is also available in die form and a 28 pin PLCC package.

**Pinouts**

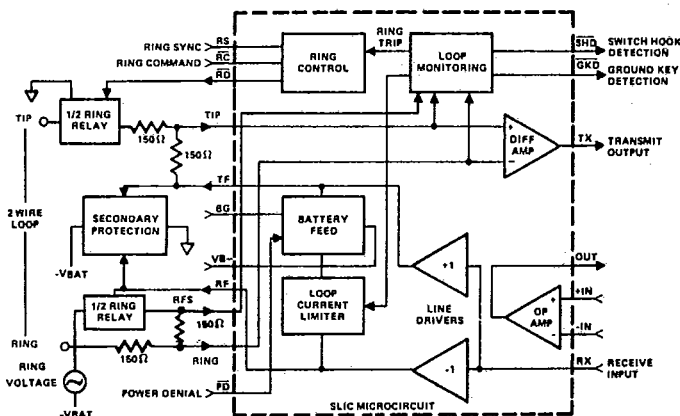
HC-5504B  
(CERAMIC/PLASTIC DIP)  
TOP VIEW



HC4P5504B  
(PLCC)  
TOP VIEW



**Functional Diagram**

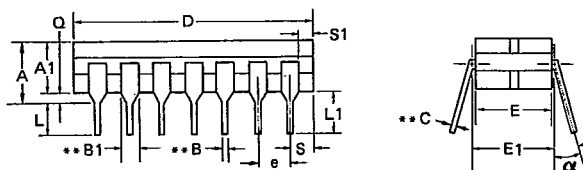


CAUTION: These devices are sensitive to electrostatic discharge. Proper I.C. handling procedures should be followed.

Package Configuration

**A B C D E** .300 CERAMIC DUAL-IN-LINE

T-90-20

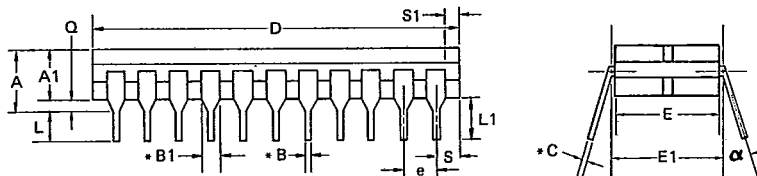


PKG. CODE	LEAD COUNT	DIM. A	DIM. A1	DIM. B	DIM. B1	DIM. C	DIM. D	DIM. E	DIM. E1	DIM. e	DIM. L	DIM. L1	DIM. S	DIM. S1	DIM. Q	DIM. $\alpha$
A	8 SSI	—	.140 .160	.016 .023	.050 .065	.008 .015	.375 .395	.245 .265	.290 .310	.100 BSC	.125 .150	.150 —	— .055	.005 —	.015 .060	0° 15°
B1	14 MSI	—	.140 .170	.016 .023	.050 .065	.008 .015	.763 .785	.265 .285	.290 .310	.100 BSC	.125 .180	.150 —	— .098	.005 —	.015 .060	0° 15°
B2	14 LSI	—	.140 .170	.016 .023	.050 .065	.008 .015	.753 .785	.285 .305	.300 .320	.100 BSC	.125 .180	.150 —	— .098	.005 —	.015 .060	0° 15°
C1	16* MSI	—	.140 .170	.016 .023	.050* .065*	.008 .015	.753 .785	.265 .285	.290 .310	.100 BSC	.125 .180	.150 —	— .080	.005 —	.015 .060	0° 15°
C2	16* LSI	—	.140 .170	.016 .023	.050* .065*	.008 .015	.753 .785	.285 .305	.300 .320	.100 BSC	.125 .180	.150 —	— .080	.005 —	.015 .060	0° 15°
D	18 LSI	—	.140 .170	.016 .023	.050* .065*	.008 .015	.882 .915	.285 .305	.300 .320	.100 BSC	.125 .180	.150 —	— .098	.005 —	.015 .060	0° 15°
E	20 LSI	—	.140 .170	.016 .023	.050* .065*	.008 .015	.940 .970	.285 .305	.300 .320	.100 BSC	.125 .180	.150 —	— .080	.005 —	.015 .060	0° 15°

\* End leads are half leads where B remains the same and B1 is 0.035  
 \*\* Solder dip finish add +0.003 inches 0.045

**F** .400 CERAMIC DUAL-IN-LINE

**G H** .600 CERAMIC DUAL-IN-LINE



PKG. CODE	LEAD COUNT	DIM. A	DIM. A1	DIM. B	DIM. B1	DIM. C	DIM. D	DIM. E	DIM. E1	DIM. e	DIM. L	DIM. L1	DIM. S	DIM. S1	DIM. Q	DIM. $\alpha$
F .400	22 LSI	—	.150 .225	.016 .023	.050 .065	.008 .015	1.055 1.085	.375 .395	.395 .415	.100 BSC	.125 .180	.150 —	— .080	.005 —	.015 .060	0° 15°
G .600	24 LSI	—	.150 .225	.016 .023	.050 .065	.008 .015	1.24 1.27	.515 .535	.595 .615	.100 BSC	.125 .180	.150 —	— .098	.005 —	.015 .060	0° 15°
H .600	26 LSI	—	.160 .225	.016 .023	.050 .065	.008 .015	1.44 1.47	.515 .535	.595 .615	.100 BSC	.125 .180	.150 —	— .098	.005 —	.015 .060	0° 15°

\* Solder dip finish add +0.003 inches.

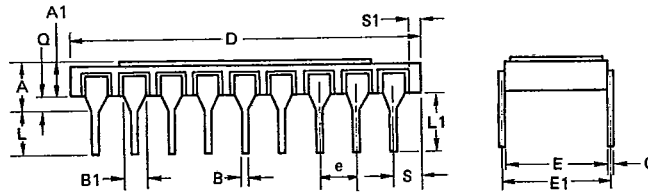
NOTE: Dimensions are  $\frac{\text{Min}}{\text{Max}}$  Dimensions are in inches.

BSC means basic spacing between centerlines.

Package Configuration

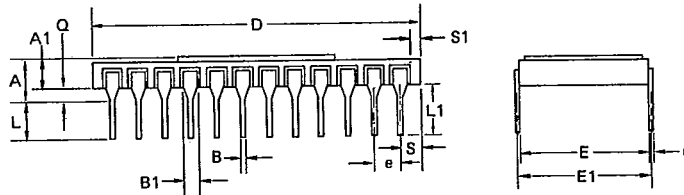
T-90-20

I .300 SIDEBRAZE DUAL-IN-LINE



PKG. CODE	LEAD COUNT	DIM. A	DIM. A1	DIM. B	DIM. B1	DIM. C	DIM. D	DIM. E	DIM. E1	DIM. e	DIM. L	DIM. L1	DIM. S	DIM. S1	DIM. Q
I	18	— .200	.080 .110	.016 .023	.045 .060	.008 .015	.890 .910	.280 .300	.290 .310	.100 BSC	.125 .180	.150 —	— .098	.005 —	.025 .045

J-K-L .600 SIDEBRAZE DUAL-IN-LINE



PKG. CODE	LEAD COUNT	DIM. A	DIM. A1	DIM. B	DIM. B1	DIM. C	DIM. D	DIM. E	DIM. E1	DIM. e	DIM. L	DIM. L1	DIM. S	DIM. S1	DIM. Q
J	24	— .225	.080 .110	.016 .023	.040 .054	.008 .015	1.185 1.215	.587 .603	.598 .612	.100 BSC	.125 .180	.150 —	— .080	.005 —	.040 .060
K	28	— .225	.080 .110	.016 .023	.040 .054	.008 .015	1.385 1.415	.587 .603	.598 .612	.100 BSC	.125 .180	.150 —	— .080	.005 —	.030 .060
L	40	— .225	.080 .110	.016 .023	.040 .054	.008 .015	1.980 2.020	.587 .603	.598 .612	.100 BSC	.125 .180	.150 —	— .080	.005 —	.040 .060

NOTE: Dimensions are  $\frac{\text{Min.}}{\text{Max}}$ . Dimensions are in inches.

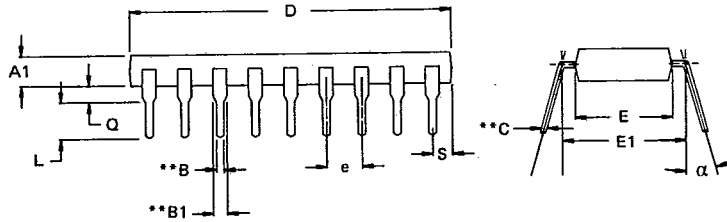
BSC means basic spacing between centerlines.

PACKAGING 1

Package Configuration

T-90-20

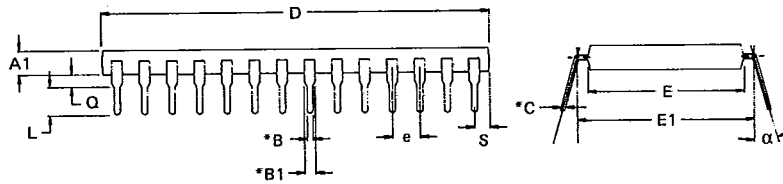
**M N O P Q** .300 PLASTIC DUAL-IN-LINE



PKG. CODE	LEAD COUNT	DIM. A1	DIM. B	DIM. B1	DIM. C	DIM. D	DIM. E	DIM. E1	DIM. e	DIM. L	DIM. S	DIM. Q	DIM. alpha
M	8	.125 .140	.016 .023	.050 .070	.008 .015	.370 .390	.245 .265	.290 .310	.090 .110	.110 .150	.030 .050	.020 .040	0° 15°
N	14	.125 .140	.016 .023	.050 .070	.008 .015	.750 .770	.245 .265	.290 .310	.090 .110	.110 .150	.030 .050	.020 .040	0° 15°
O	16*	.125 .140	.016 .023	.050 .070	.008 .015	.750 .770	.245 .265	.290 .310	.090 .110	.110 .150	.025 .035	.020 .040	0° 15°
P	18	.125 .140	.016 .023	.050 .070	.008 .015	.900 .920	.245 .265	.290 .310	.090 .110	.110 .150	.040 .060	.020 .040	0° 15°
Q	20	.130 .145	.016 .023	.050 .070	.008 .015	1.030 1.050	.250 .270	.290 .310	.090 .110	.110 .150	.060 .080	.020 .040	0° 15°

\* End leads are half leads where B remains the same and B1 is  $\frac{0.035}{0.045}$   
 \*\* Solder dip finish add 0.003 inches.

**R S** .600 PLASTIC DUAL-IN-LINE



PKG. CODE	LEAD COUNT	DIM. A1	DIM. B	DIM. B1	DIM. C	DIM. D	DIM. E	DIM. E1	DIM. e	DIM. L	DIM. S	DIM. Q	DIM. alpha
R	24	.145 .155	.016 .023	.050 .070	.008 .015	1.24 1.26	.540 .560	.590 .610	.090 .110	.110 .150	.045 .095	.020 .040	0° 15°
S	28	.145 .155	.016 .023	.050 .070	.008 .015	1.54 1.57	.540 .560	.590 .610	.090 .110	.110 .150	.110 .160	.020 .040	0° 15°

\* Solder dip finish add 0.003 inches.

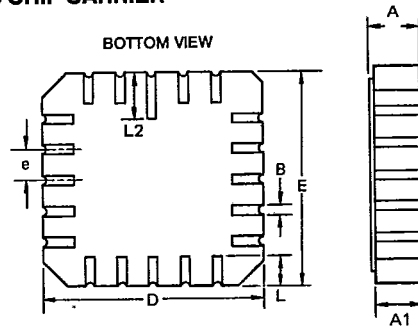
NOTE: Dimensions are  $\frac{\text{Min}}{\text{Max}}$ . Dimensions are in inches.

BSC means basic spacing between centerlines.

Package Configuration

T-90-20

- T** .350 CERAMIC LEADLESS CHIP CARRIER\*
- U** .450 CERAMIC LEADLESS CHIP CARRIER\*
- V** .650 CERAMIC LEADLESS CHIP CARRIER\*

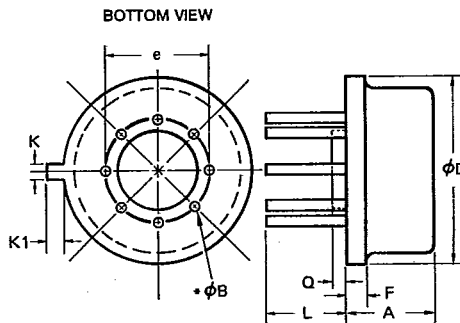


PKG. CODE	LEAD COUNT	DIM. A	DIM. A1	DIM. B	DIM. D	DIM. E	DIM. e	DIM. L	DIM. L2
T	20	.073	.063	.022	.342	.342	.050	.045	.075
	.350 SQ	.089	.077	.028	.358	.358	BSC	.055	.095
U	28	.074	.064	.022	.442	.442	.050	.045	.075
	.450 SQ	.088	.076	.028	.458	.458	BSC	.055	.095
V	44	.073	.063	.022	.643	.643	.050	.045	.075
	.650 SQ	.089	.077	.028	.662	.662	BSC	.055	.095

\* Solder dip finish for military parts conform to MIL-M-38510, Type A.

**W** TO-99 METAL CAN

**X** TO-100 METAL CAN



PKG. CODE	LEAD COUNT	DIM. A	DIM. phi B	DIM. phi D	DIM. e	DIM. F	DIM. K	DIM. K1	DIM. L	DIM. Q
W	8	.165	.016	.345	.190	.020	.028	.028	.505	.015
	TO-99	.185	.018	.365	.210	.040	.034	.040	.550	.040
X	10	.165	.016	.345	.220	.020	.028	.028	.505	.015
	TO-100	.185	.018	.365	.240	.040	.034	.040	.550	.040

\* Solder dip finish add +0.003 inches.

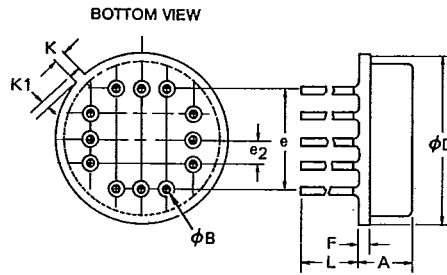
NOTE: Dimensions are  $\frac{\text{Min}}{\text{Max}}$ . Dimensions are in inches.

BSC means basic spacing between centerlines.

Package Configuration

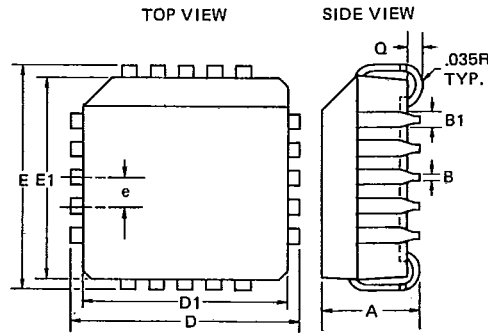
T-90-20

**Y TO-8 METAL CAN**



PKG. CODE	LEAD COUNT	DIM. A	DIM. phi B	DIM. phi D	DIM. e	DIM. e2	DIM. F	DIM. K	DIM. K1	DIM. L
Y	12 TO-8	.130 .150	.016 .021	.585 .615	.400 BSC	.100 BSC	.020 .040	.027 .034	.027 .045	.500 .550

**AA AB AC PLASTIC LEADED CHIP CARRIER**



PKG. CODE	LEAD COUNT	DIM. A	DIM. B	DIM. B1	DIM. D/E	DIM. D1/E1	DIM. e	DIM. Q
AA	20	.165 .180	.013 .021	.026 .032	.385 .395	.350 .356	.050 BSC	.020 —
AB	28	.165 .180	.013 .021	.026 .032	.485 .495	.450 .456	.050 BSC	.020 —
AC	44	.165 .180	.013 .021	.026 .032	.685 .695	.650 .656	.050 BSC	.020 —

NOTE: Dimensions are  $\frac{\text{Min.}}{\text{Max.}}$  Dimensions are in inches.

BSC means basic spacing between centerlines.