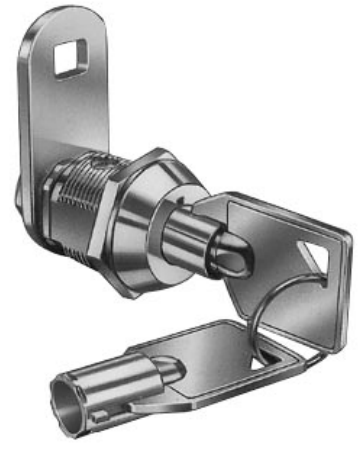
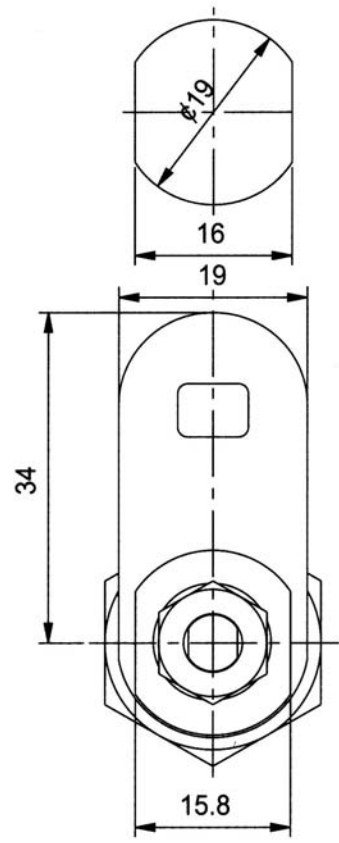
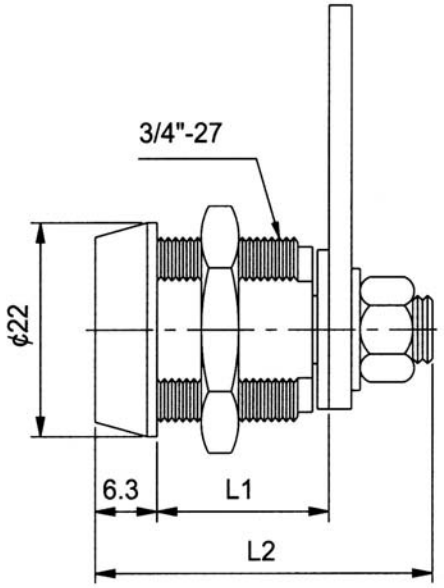
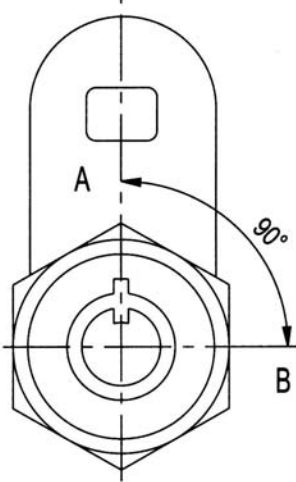


Dimensions		
Item	L1	L2
S	9.5	23.3
SS	11.0	25.0
ZS	17.5	34.3
ZM	23.3	39.7
ZL	28.0	44.7



- SPECIFICATIONS**
- Brass housing and cylinder (510-S)
 - Zinc alloy die cast housing and cylinder (all others)
 - Bright chrome plated
 - 7 pin tumbler mechanism
 - Key withdrawal in on and off positions
 - Steel tubular keys, nickel plated
 - 5 sizes available
 - Cam fixed by nut
 - Hex nut mounted
 - 10,000 key combinations available

Series	Style	Dimensions	Key Withdrawal	Options
SWTK	C510	XX	X	KEY
Key lock switch	19mm cylinder	See chart	1=Off 2=Off and on	KEY=With key

RoHS compliant

Rev.	Description	Date	Approved	Drawing	Name	Date
				Approved	Howard	08/10/03
				Checked	Lizzy	08/10/03
				Drawn	Tina	08/10/03
				0.0 ± 0.35	0.00 ± 0.20	Angles ± 3'
				UNIT: mm		

Central Components Manufacturing
 440 Lincoln Blvd., Middlesex, New Jersey 08846
 Phone 732 469-5720 888 288-5152 Fax 732 469-1919

Part No.: **SWTK-C510-XX-X-KEY**

Description: Full size tubular cam lock switch