



# BNC/TNC Twist-On Connectors

## Cable connections in seconds with a twist of the wrist

AVA BNC and TNC twist-on connectors let you make cable connections in seconds

The prepped cable is inserted into your AVA twist-on connector. Just twist tight and the connection is made – secure and permanent for high integrity, trouble-free conductivity.

AVA twist-on connectors are ideal for field-installed LAN, RF, and other demanding applications. No special tools are needed. And there's no crimping or soldering, and no separate parts to lose. AVA connectors save time and provide these advantages:

- **Gold- or silver-plated machined contact.** High resistance to corrosion; maintains high conductivity level.
- **One-piece connector.** Dramatically reduces installation time.
- **Tapered cable aperture.** No need to force and damage cable wires.
- **Machined threads in hex housing.** Provides maximum cable retention for problem-free operation.
- **Wide range of housing sizes.** Accommodates greatest variety of cable diameters in the industry.

## Fast delivery, economically priced

AVA products are manufactured on-site and in volume to provide you with high quality and economy. Most product lines feature delivery off-the-shelf to four weeks.

## AVA product line

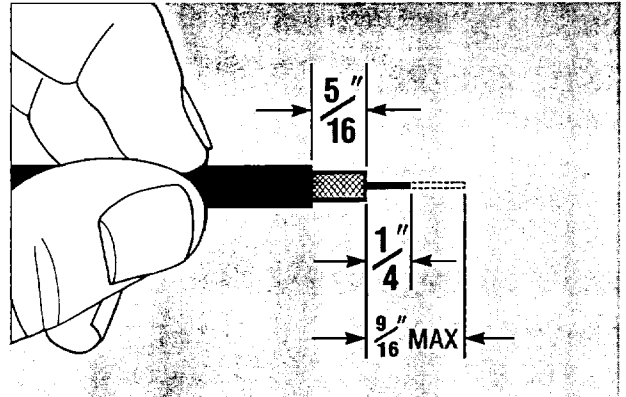
AVA manufactures to stringent quality control standards. The full AVA product line features BNC, TNC, UHF, F, N, BNC TWIN-AX and Coaxial Balun connectors. Accessories include Cable Assemblies, Wall Plates, and Adapters. Custom designs for specific requirements are available upon request.

## Ordering information

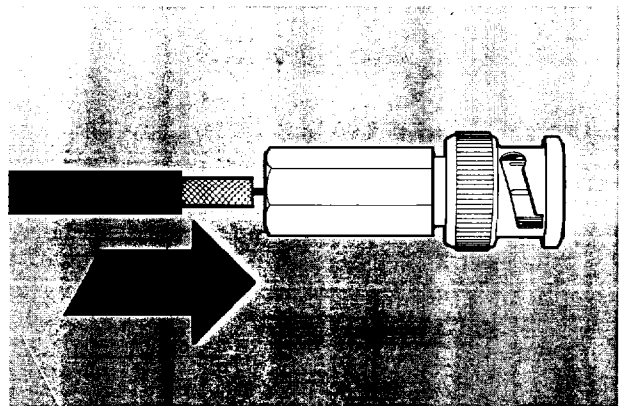
For complete pricing and ordering information, call now at 1-800-331-8838. In PA, call 215-284-2500.

**AVA products are made in the USA.**

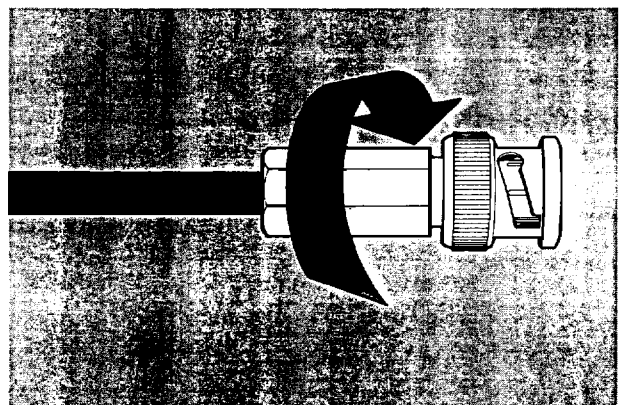
## Twist on in a flash



1. Prep cable. (see diagram)



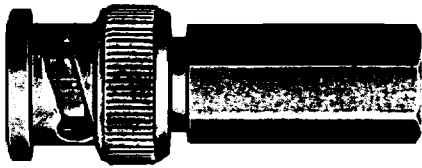
2. Insert trimmed cable into hex housing.



3. Twist the connector tight around the cable.

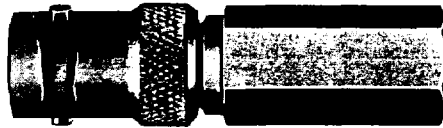
\*AVAES009\*

# AVA BNC Twist-on Connectors Long Body



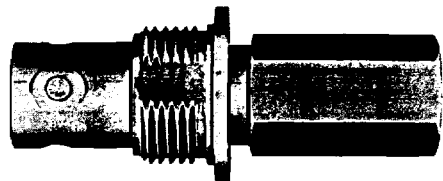
**BNC Cable Plug**

*Long Body*



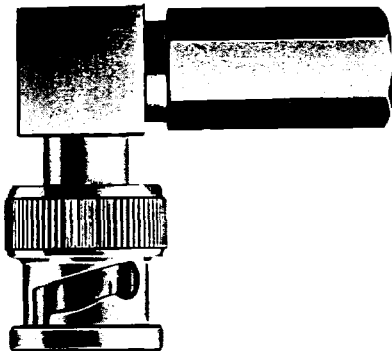
**BNC Cable Jack**

*Long Body*



**BNC Chassis Jack**

*Long Body*



**BNC Right Angle Plug**

*Long Body*

## General description

The AVA lines of BNC and TNC twist-on connectors are specially designed for reliability and ease of installation.

## Features/benefits

- Installs quickly without soldering or special tools
- One-piece construction
- Machined threads provide cable retention which is superior to die-cast components
- Gold- or silver-plated contact ensures maximum reliability
- Mates with all MIL-C-39012 Series BNC Connectors
- Unique AVA design featuring longer lead-in for cable and positive center contact

## Materials

- Nickel-plated brass body
- Polypropylene dielectric
- Gold- or silver-plated phosphor bronze contact

## Electrical characteristics

- Impedance: 50 ohms nominal
- Frequency range: DC to 4 GHz
- Voltage rating: 500 VRMS

## AVA BNC Twist-on Connectors Long Body

Cable Type	Jacket Material	Solid Center Conductor AWG*	Cable O.D. Range	Cable Plug**	Cable Jack	Chassis Jack	Right Angle Plug
6, RG-71/U, BELDEN 9169	PVC/TFE	18-23	.245-.265	200020	210010	231224	200040
6, BELDEN 8281	PVC/TFE	18-23	.272-.304	200050	210020	231234	200060
RG-6/U, BELDEN 8215	PVC/TFE	18-23	.320-.365	200070	210030	231244	200090
58, PIW 1871-222-61T	PVC/TFE	20-23	.145-.155	SEE SHORT BODY		231264	202140
58	PVC/TFE	20-23	.155-.170	202110	212040	231254	202120
58, RG-141, 303/U, BELDEN 83241	PVC/TFE	18-23	.170-.190	202050	212020	231204	202070
RG-58, 58B, 142B/U, BELDEN 9310	PVC/TFE	18-23	.185-.200	202080	212030	231214	202100
59, 62, BELDEN 87241	PVC/TFE	20-23	.200-.225	203120	213090	231084	203140
RG-59, 62, 62A/U, BELDEN 8241	PVC/TFE	20-23	.225-.245	203090	213070	231064	203130

\*NOT RECOMMENDED FOR STRANDED CENTER CONDUCTOR - SEE DATA ON CRIMP-ON CONNECTORS

\*\*GOLD-PLATED CONTACT STANDARD

# AVA TNC Twist-on Connectors Long Body

## Features/benefits

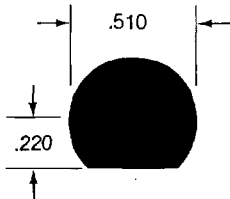
- Machined 7/16-28 threaded coupling for superior retention in critical applications
- High stability at microwave frequencies
- Installs quickly without soldering or special tools
- One-piece construction
- Silver-plated contact ensures maximum reliability
- Mates with all MIL-C-39012 Series TNC Connectors
- Machined threads provide cable retention which is superior to die-cast components
- Unique AVA design featuring longer lead-in for cable and positive center contact

## Materials

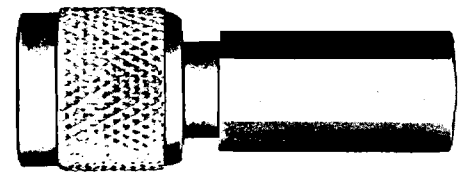
- Nickel-plated brass body
- Polypropylene dielectric
- Silver-plated phosphor bronze contact

## Electrical characteristics

- Impedance: 50 ohms nominal
- Frequency range: DC to 4 GHz
- Voltage rating: 500 VRMS



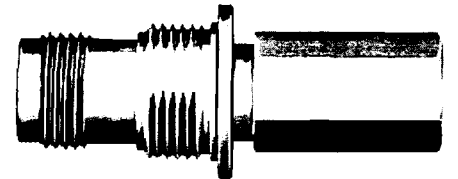
**Chassis Jack  
Cutout Detail**



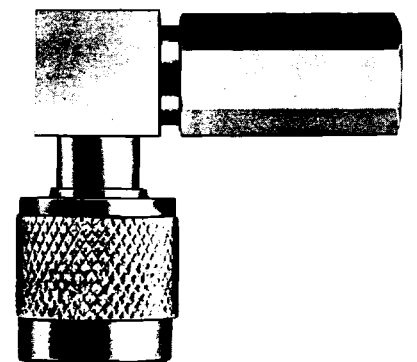
**TNC Cable Plug**  
*Long Body*



**TNC Cable Jack**  
*Long Body*



**TNC Chassis Jack**  
*Long Body*



**TNC Right Angle Plug**  
*Long Body*

## AVA TNC Twist-on Connectors Long Body

Cable Type	Jacket Material	Solid Center Conductor AWG*	Cable O.D. Range	Cable Plug	Cable Jack	Chassis Jack	Right Angle Plug
6, RG-71/U, BELDEN 9169	PVC/TFE	18-23	.245-.265	600020	610010	631224	600040
6, BELDEN 8281	PVC/TFE	18-23	.272-.304	600050	610020	631234	600060
RG-6/U, BELDEN 8215	PVC/TFE	18-23	.320-.365	600070	610030	631244	600090
58, PIW 1871-222-61T	PVC/TFE	20-23	.145-.155	SEE SHORT BODY		631264	602140
58	PVC/TFE	20-23	.155-.170	602110	612040	631254	602120
58, RG-141, 303/U, BELDEN 83241	PVC/TFE	18-23	.170-.190	602050	612020	631204	602070
RG-58, 58B, 142B/U, BELDEN 9310	PVC/TFE	18-23	.185-.200	602080	612030	631214	602100
59, 62, BELDEN 87241	PVC/TFE	20-23	.200-.225	603120	613090	631084	603140
RG-59, 62, 62A/U, BELDEN 8241	PVC/TFE	20-23	.225-.245	603090	613070	631064	603130

\*NOT RECOMMENDED FOR STRANDED CENTER CONDUCTOR - SEE DATA ON CRIMP-ON CONNECTORS

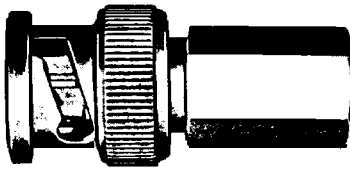
**AVA ELECTRONICS CORP.**

4000 Bridge Street, Drexel Hill, Pennsylvania 19026

Cable Address AVAELEC

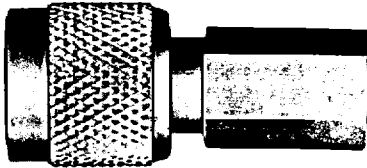
(610) 284-2500 ■ Fax (610) 259-8379 ■ Telex 3711411

# AVA BNC and TNC Twist-on Connectors Short Body



**BNC Cable Plug**

*Short Body*



**TNC Cable Plug**

*Short Body*

## General features/benefits

- Reduced body length. Ideal for applications where space is limited
- Installs quickly without soldering or special tools
- One-piece construction
- Silver-plated contact ensures maximum reliability
- Mates with all MIL-C-39012 Series BNC and TNC Connectors
- Machined threads provide cable retention which is superior to die-cast components
- Unique AVA design featuring longer lead-in for cable and positive center contact

## Additional TNC features/benefits

- Machined 7/16-28 threaded coupling for superior retention in critical applications
- High stability at microwave frequencies

## Materials

- Nickel-plated brass body
- Polypropylene dielectric
- Silver-plated phosphor bronze contact

## Electrical Characteristics

- Impedance: 50 ohms nominal
- Frequency range: DC to 4 GHz
- Voltage rating: 500 VRMS

## AVA BNC and TNC Twist-on Connectors Short Body

Cable Type	Jacket Material	Solid Center Conductor AWG*	Cable O.D. Range	BNC Cable Plug	TNC Cable Plug
6, RG-71/U, BELDEN 9169	PVC/TFE	18-23	.245-.265	200030	600030
6, BELDEN 8281	PVC/TFE	18-23	.272-.304	209001	609002
RG-6/U, BELDEN 8215	PVC/TFE	18-23	.320-.365	200080	600080
58, PIW 1871-222-61T	PVC/TFE	20-23	.145-.155	209030	609020
58	PVC/TFE	20-23	.155-.170	202130	602130
58, RG-141, 303/U, BELDEN 83241	PVC/TFE	18-23	.170-.190	202060	602060
RG-58, 58B, 142B/U, BELDEN 9310	PVC/TFE	18-23	.185-.200	202090	602090
59, 62, BELDEN 87241	PVC/TFE	20-23	.200-.225	209020	609010
RG-59, 62, 62A/U, BELDEN 8241	PVC/TFE	20-23	.225-.245	203040	603010

\*NOT RECOMMENDED FOR STRANDED CENTER CONDUCTOR – SEE DATA ON CRIMP-ON CONNECTORS