

0.01-40GHz

## DC BLOCKS (AUDIO INTERFERENCE SUPPRESSORS)

- Broadband Frequency Ranges of 0.01 to 40 GHz
- Suppresses DC thru 100 kHz Leakage from External Signal Sources
- Low Insertion Loss of 0.5 dB Maximum from 0.01 to 18 GHz
- Small Size, Light Weight
- Millimeter Model Operates from 0.3 to 40 GHz

### SPECIFICATIONS

#### Inside/Outside Block

FREQUENCY RANGE (GHz)	MODEL	VSWR (Max) (10-20 MHz) (0.02-12.4 GHz)	INSERTION LOSS (dB Max) (0.01-11.0 GHz)(11.0-12.4 GHz)	VOLTAGE BREAKDOWN (Vdc)	CONNECTORS
0.01-12.4	562	1.5	1.3	100V	Type N

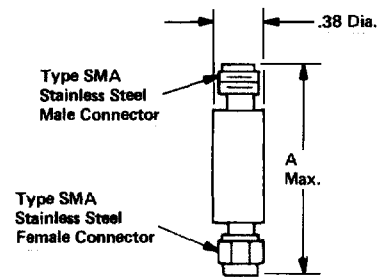
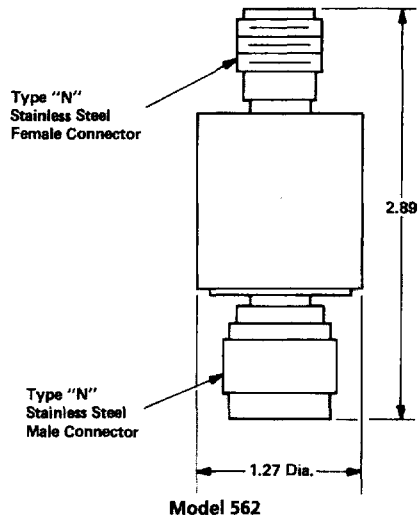
FREQUENCY RANGE (GHz)	MODEL	VSWR (Max)	INSERTION LOSS (dB Max) (.5-1.5GHz)(1.5-18 GHz)	VOLTAGE BREAKDOWN (Vdc)	CONNECTORS
0.5-18	4563	1.35	1.5	150V	SMA

#### Inside Block

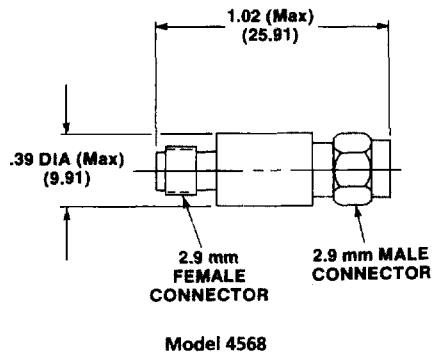
FREQUENCY RANGE (GHz)	MODEL	VSWR (Max)	INSERTION LOSS (dB Max)	VOLTAGE BREAKDOWN (Vdc)	CONNECTORS
0.15-18	4564	1.35	0.35	150V	SMA

FREQUENCY RANGE (GHz)	MODEL	VSWR in GHz (Max) 0.1-18 GHz 18-40GHz	INSERTION LOSS (dB Max) (0.3-18 GHz) (18-40 GHz)	VOLTAGE BREAKDOWN (Vdc)	CONNECTORS
0.3-40	4568	1.25	1.35	100V	2.9mm

OUTLINE DRAWINGS



Model	A Max.
4563	1.55
4564	.92



All dimensions are Max. unless otherwise specified.