

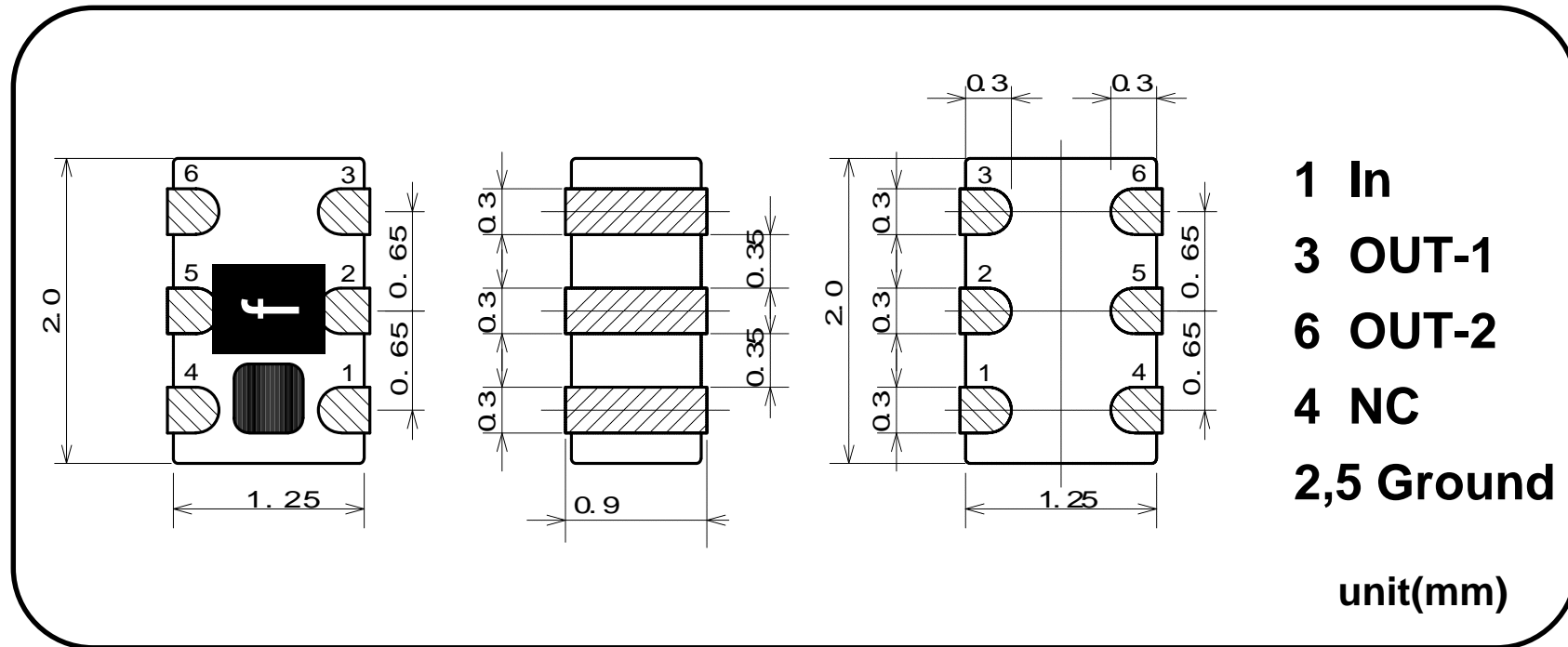
2012 Size

2.4/2.5GHz Band
Chip Multilayer RF Transformer

Impedance Ratio 50:100

SLT-S245F

Shape & Size



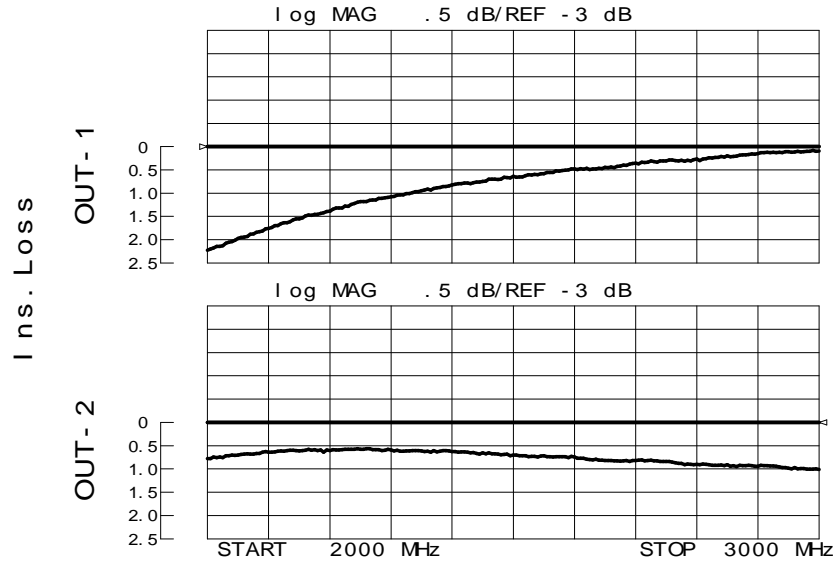
Specifications(Temporary)

P/N	Frequency Range(GHz)	Impedance ratio	Insertion Loss*1	Return Loss (Unbalanced)	Phase Balance	Handling Power	Temperature Range
SLT-S245F	2.4-2.5	50:100	1.2dB Max.	10dB Min.	180 +/-10deg.	0.5W Max.	-40 to +85 deg.C

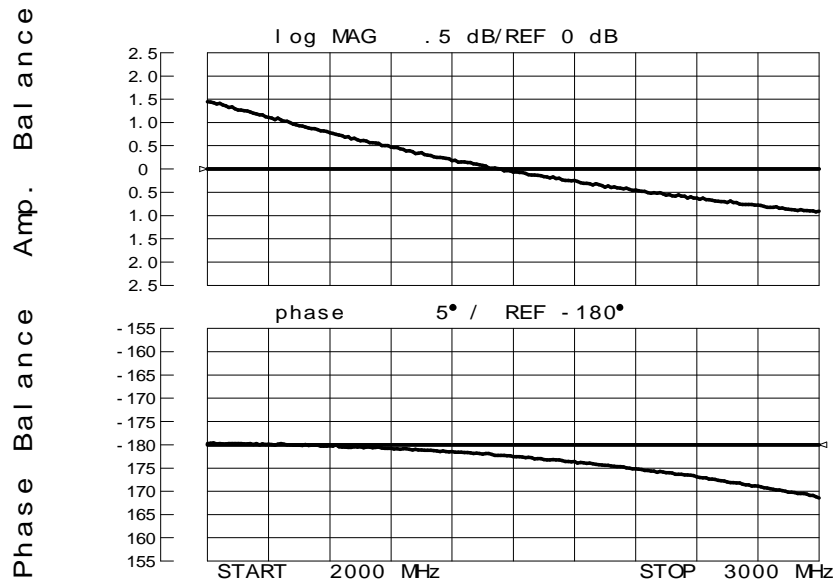
*1:Back to Back(/piece)

"All the technical data and information contained herein are subject to change without notice."

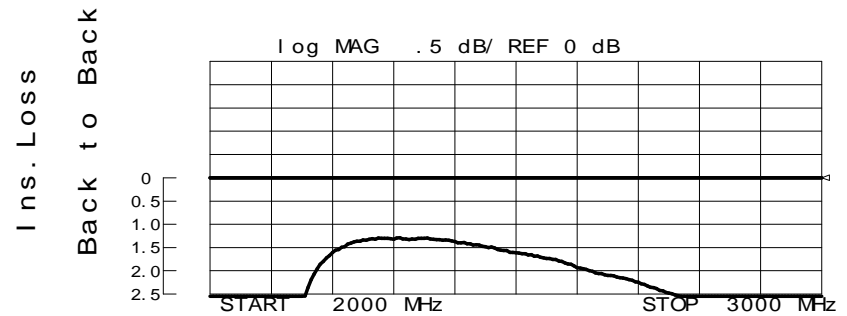
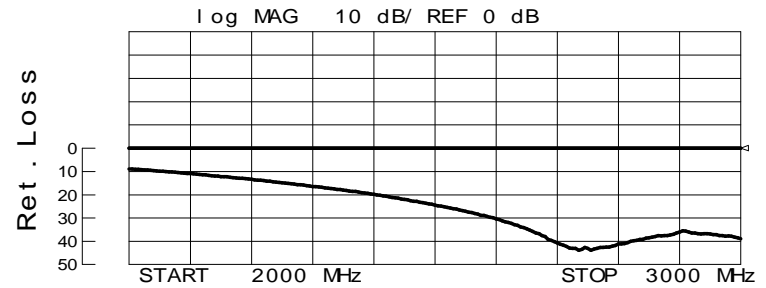
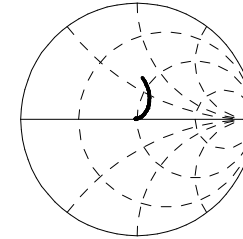
SLT-S245F Sample Data



Insertion Loss(Out 1, Out 2) :
measurement-splitting loss



1 U FS



FOOT PATTERN

