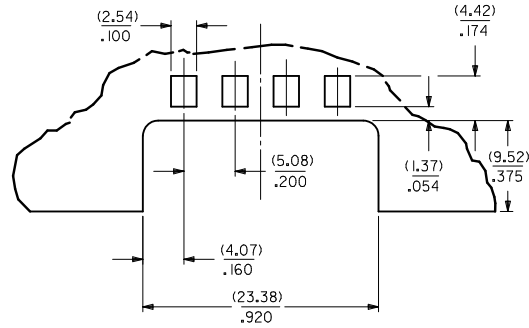
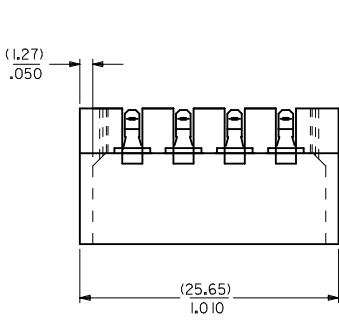


RECOMMENDED P.C. BOARD LAYOUT



- NOTES:
- MATERIAL:
HOUSING - NYLON 4T, GLASS FILLED, UL 94V-0, COLOR BLACK
TERMINAL - PHOSPHOR BRONZE
 - PLATING
POSTPLATE (0.00254)/.000100 MIN. TIN OVER 0.00127/(.000050) MIN. NICKEL OVERALL.
 - MOLDED RIBS TO PROVIDE AN INTERFERENCE FIT TO A (1.62± 0.10)/ P.C. BOARD
 - PART INTENDED TO MATE WITH 8981 HOUSING AND 8980-3* TERMINAL.
 - PRODUCT SPEC. PS-8981-4SM* APPLIES.
 - PARTS TO BE PACKED IN MOISTURE BARRIER BAG.

HALOGEN FREE

INITIAL RELEASE EC NO: S2010-0636 DRWN:SKANG 2010/01/27 CHKD:ATSEE 2010/03/05 APPR:MLONG 2010/03/09	DESCRIPTION QUALITY SYMBOLS $F_A=0$ $F_C=0$ $F_P=0$	GENERAL TOLERANCES (UNLESS SPECIFIED)		DIMENSION STYLE		SCALE	DESIGN UNITS	THIRD ANGLE PROJECTION			
				MM/IN		NTS	METRIC				
				mm	INCH	DRAWN BY	DATE	TITLE			
						SKANG	2010/01/27	POWER CONNECTOR, 4 CKTS DUAL SLOTS, SMT			
				CHECKED BY	DATE	MOLEX INCORPORATED					
				ATSEE	2010/03/05						
				APPROVED BY	DATE	DOCUMENT NO. SD-8981-4SM10					
				MLONG	2010/03/08						
				MATERIAL NO.		SHEET NO. 1 OF 1					
				15-24-4794							
				THIS DRAWING CONTAINS INFORMATION THAT IS PROPRIETARY TO MOLEX INCORPORATED AND SHOULD NOT BE USED WITHOUT WRITTEN PERMISSION							