

PART No.
90449-001

Notes

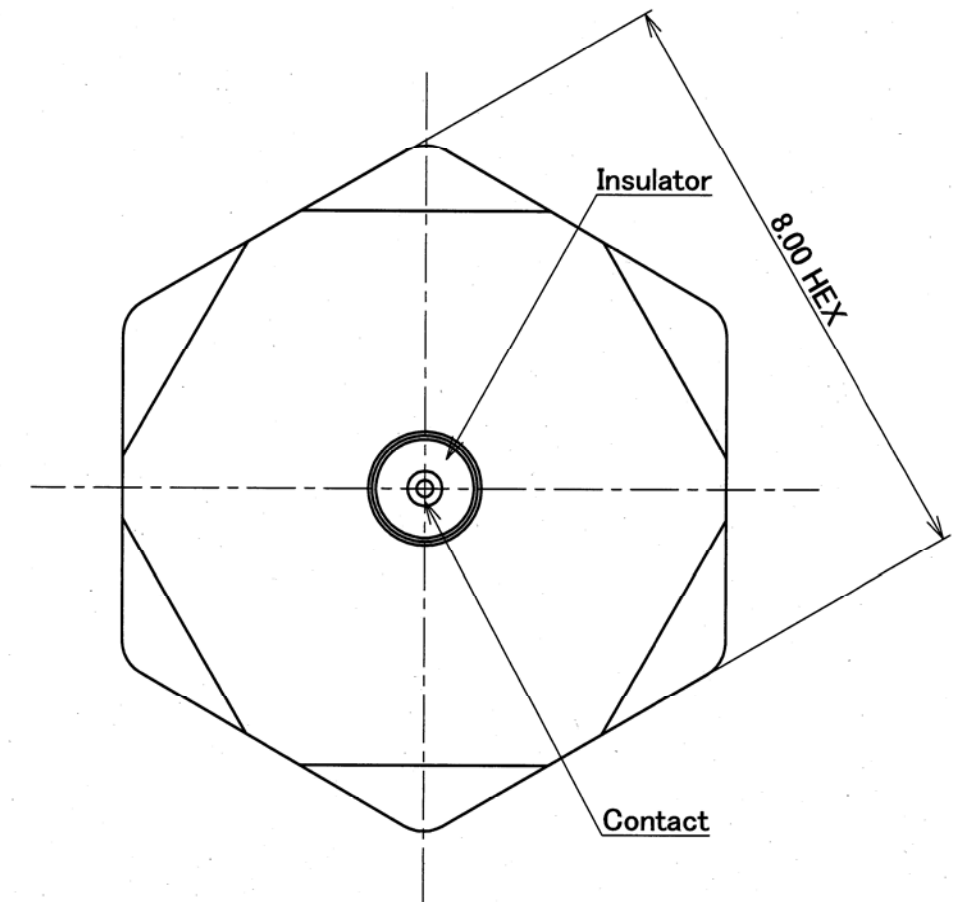
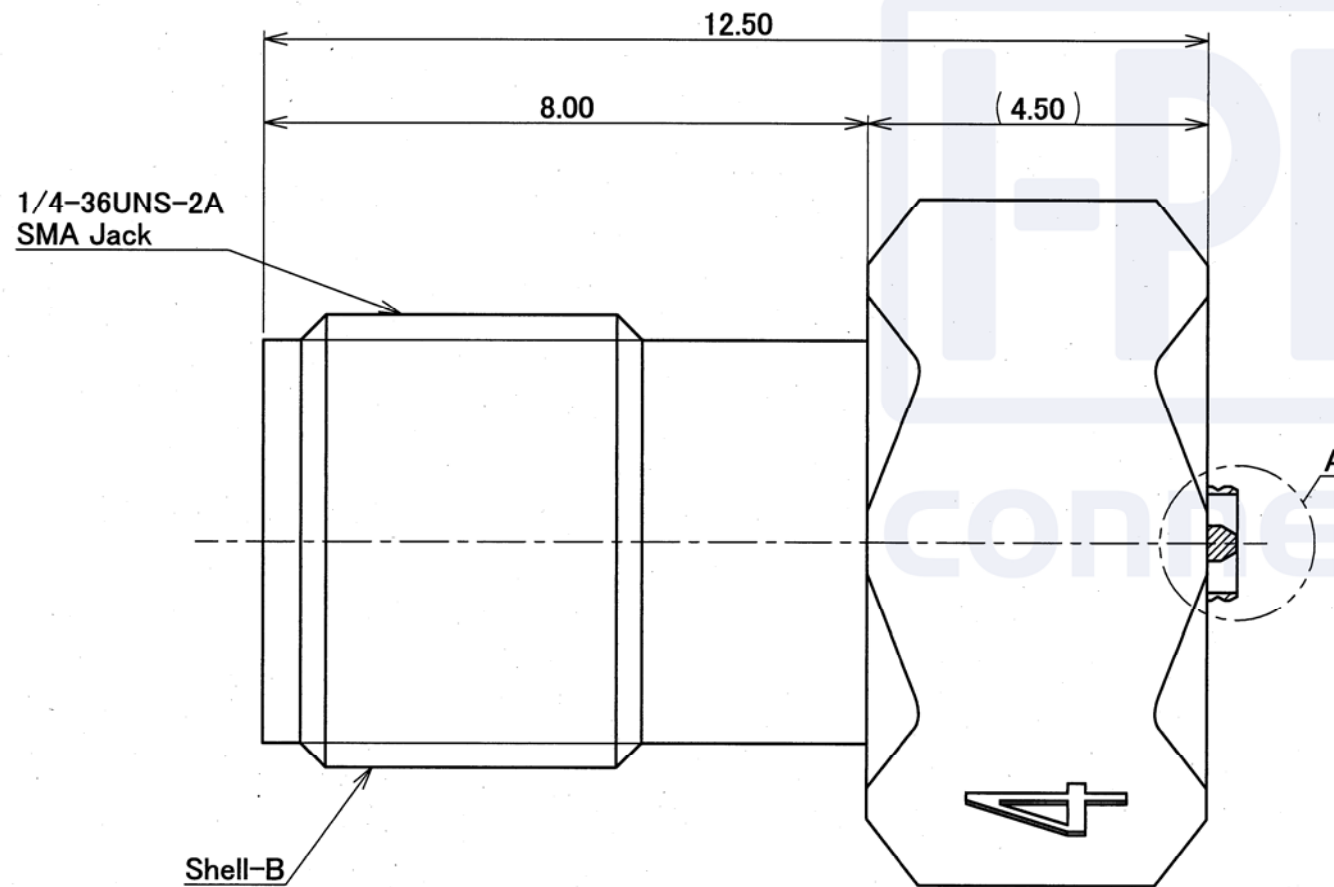
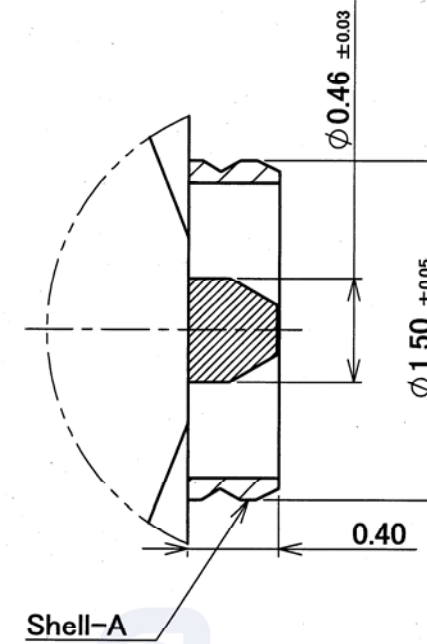
1. Material

- (1) Insulator : Fluor plastics
- (2) Contact : Beryllium copper
Gold plating
- (3) Shell-A : Stainless steel
Gold plating
- (4) Shell-B : Stainless steel
Passivation

2. Durability: 3000 cycles Max. at MHF4 side

3. Applicable Connector

- (1) MHF 4 PLUG
P/N:20448-001R-**
- (2) MHF 4L PLUG
P/N:20565-001R-**
P/N:20572-001R-08
P/N:20579-001R-01



ANGLE	±2°	6 OVER 30 MAX.	±0.3	PROJECTION 	SERIES No. R1	CUSTOMER COPY
	6 MAX.	±0.2	30 OVER 120 MAX.			
TITLE				SCALE		 SHEET 1/3 REV. 8
SMA ADAPTOR FOR MHF [®] 4(4L) CONNECTOR				10:1		
DWG. No. 90449				UNIT mm		
				SIZE A3		

PART No.
90449-002

Notes

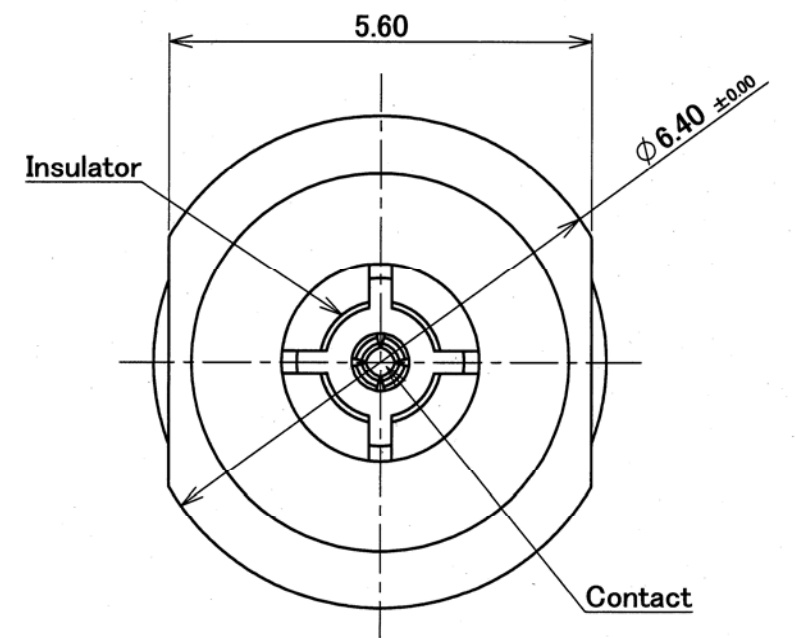
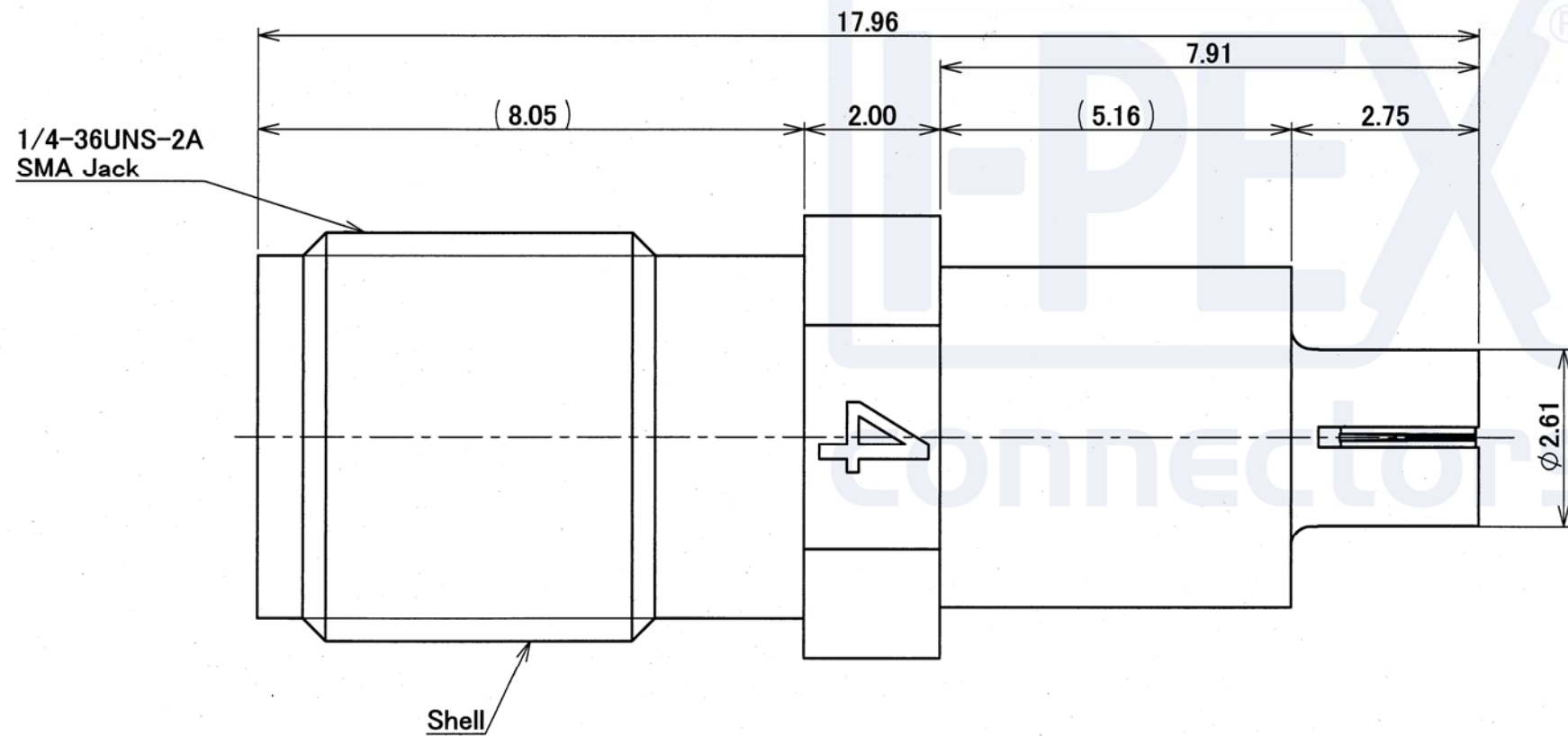
1. Material

- (1) Insulator : Fluor plastics
- (2) Contact : Beryllium copper
Gold plating
- (3) Conductor: Beryllium copper
Gold plating
- (4) Shell : Stainless steel
Passivation

2. Durability: 500 cycles Max. at MHF4 side

3. Applicable Connector

- (1) MHF 4 RECEPTACLE
P/N : 20449-001E
- (2) MHF 4L RECEPTACLE
P/N : 20579-001E-01



ANGLE	$\pm 2^\circ$	6 OVER 30 MAX.	± 0.3	PROJECTION	SERIES No.	CUSTOMER COPY
					R1	
				TITLE	SCALE	
6 MAX.	± 0.2	30 OVER 120 MAX.	± 0.5	SMA ADAPTOR FOR MHF [®] 4(4L) CONNECTOR	10:1	
				DWG. No.	UNIT mm	
				90449	SIZE A3	SHEET 2/3 REV. 8

PART No.
90449-003-01

Notes

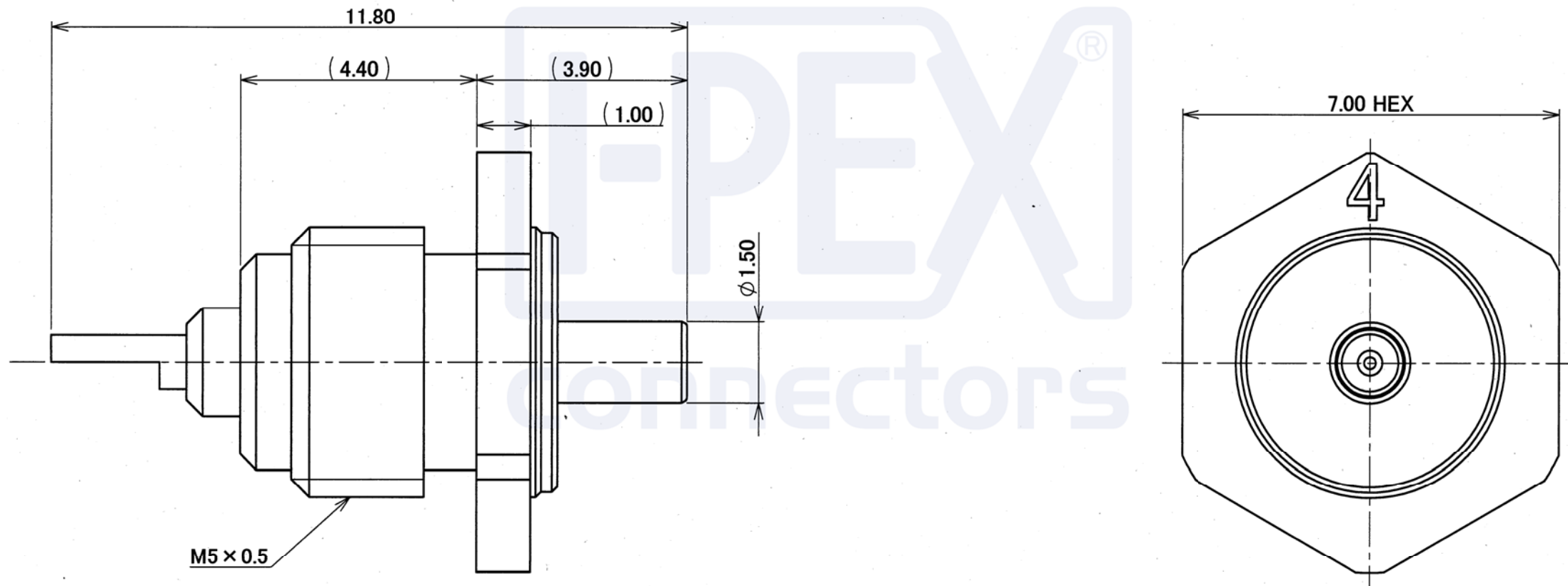
1. Material

- (1) Insulator : Fluorine plastics
- (2) Contact : Brass , Gold plating
- (3) Shell : Stainless steel , Passivation

2. Please use this connector for short circuit inspection and dielectric withstanding voltage inspection.

3. Applicable Connector

- (1) MHF 4 PLUG
P/N:20448-001R-**-
- (2) MHF 4L PLUG
P/N:20565-001R-**-
P/N:20572-001R-08
P/N:20579-001R-01



ANGLE	±2°	6 OVER 30 MAX.	±0.3	PROJECTION	SERIES No.	CUSTOMER COPY	
6 MAX.	±0.2	30 OVER 120 MAX.	±0.5		R1		
TITLE						SCALE	
SMA ADAPTOR FOR MHF [®] 4(4L) CONNECTOR						10:1	
DWG. No.						UNIT	
90449						mm	SIZE
						A3	SHEET 3/3 REV. 8