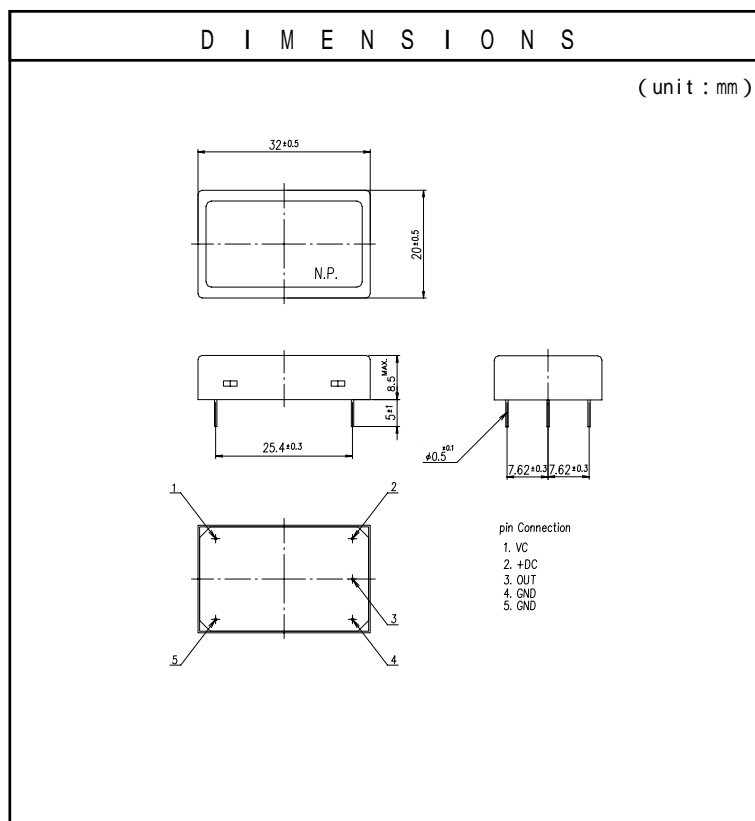


V C X 0 - 2 9 6 A

【MODEL】

VCX0-296A : Voltage controlled
crystal oscillator.



【SPECIFICATIONS】

MODEL		VCX0-296A
Frequency range		30 MHz to 160MHz
Storage temperature range		-20 to +80
Operable temperature range		-10 to +75
Frequency temperature characteristics		$\pm 40 \times 10^{-6}$ max. / -10 to +75
Frequency aging		$\pm 5 \times 10^{-6}$ max. /Year
Supply voltage change		$\pm 4 \times 10^{-6}$ max. / +5.0V \pm 5%
Frequency deviation		$\pm 120 \times 10^{-6}$ min. / +2.5V \pm 2.5V(positive)
Power supply	Voltage	+5.0V \pm 5%
	Current	40mA max.
Output	Level	0dBm min.
	Load	50
	Harmonics/subharmonics	-30dB max.
Input impedance		100k min.

* If specifications do not meet your requirements, we will design a unit to your requirements.
* All specifications and details published are subject to change without notice.