



SPECIFICATIONS

MODEL NUMBER	RF41 RF42	RF46
Test Voltage (kV Peak) 60 Hz	4	4
Rated Operating Voltage (kV Peak) DC or 60 Hz	3.6	3.6
2.5 MHz	3.6	3.6
16 MHz	3.2	3.2
32 MHz	2.5	2.5
Continuous Current, Carry (Amps, RMS) DC or 60 Hz	12	12
2.5 MHz	10	10
16 MHz	7.5	6
32 MHz	5	5
Contact Capacitance (pF) Between Open Contacts	1.6	1.6
Open Contacts to Ground	1.6	1.6
Contact Resistance (mΩ)	20	20
Operate Time (ms. Max.)	10	1.0
Release Time (ms. Max.)	10	1.0
Pull-in Voltage @ 25° C		
26.5 VDC Coil	16	16
12 VDC Coil	8	N/A
Dropout Voltage @ -55 to 125° C		
26.5 VDC Coil	1-10	1-10
12 VDC Coil	1-5	N/A
Coil Resistance (Ohms± 10%)		
26.5 VDC Coil	290	80
12 VDC Coil	48	N/A
Shock, 1/2 Sine 11 ms. (Peak g's)	50	50
Vibration, Peak g's 55-2000 Hz	10	10
Expected Mechanical Life Cycles (X10 ⁶)	1	10
Weight, Ounces (Grams) Max.	1 (28)	1 (28)

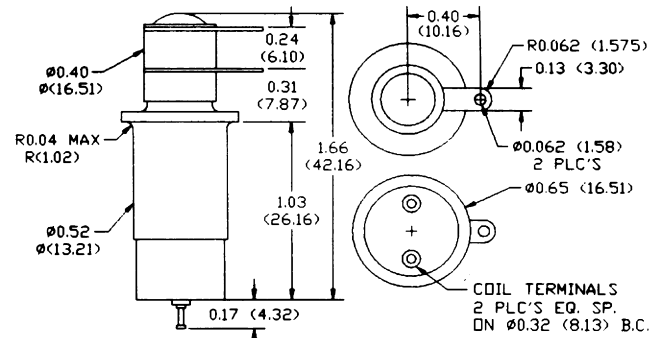
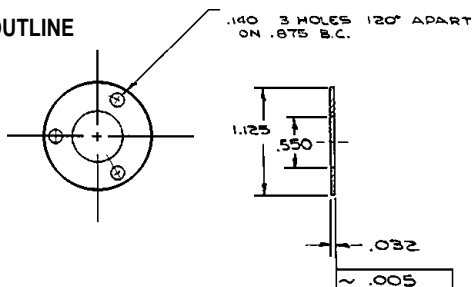
MILITARY CROSS REFERENCE

Model Number	Military Specification	Military Drawing
RF41-26S	MIL-R-83725	M83725/7-001
RF41D-26S	MIL-R-83725	M83725/7-002
RF42-26S	MIL-R-83725	M83725/8-001
RF42D-26S	MIL-R-83725	M83725/8-002

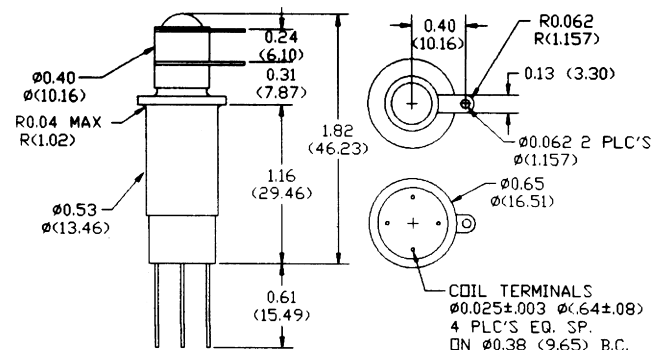
FLANGE CROSS REFERENCE

Model Number	Flange Version
RF41-26S	RF41D-26S
RF42-26S	RF42D-26S
RF48-12S	RF48D-12S
RF46-26S	RF46D-26S

FLANGE OUTLINE



- **RF41-26S**
N/C, ground isolated.
- **RF42-26S**
N/O, version of RF41, ground isolated.
- **RF48-12S**
12 VDC version of RF42.



- **RF46-26S**
Latching. Actuating time of less than one millisecond.