
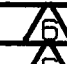

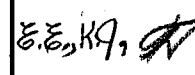
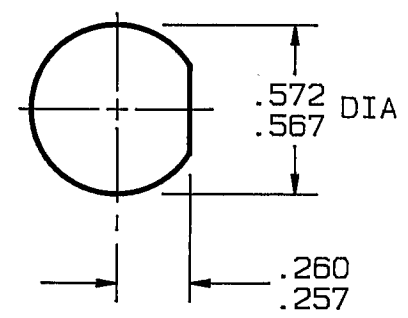
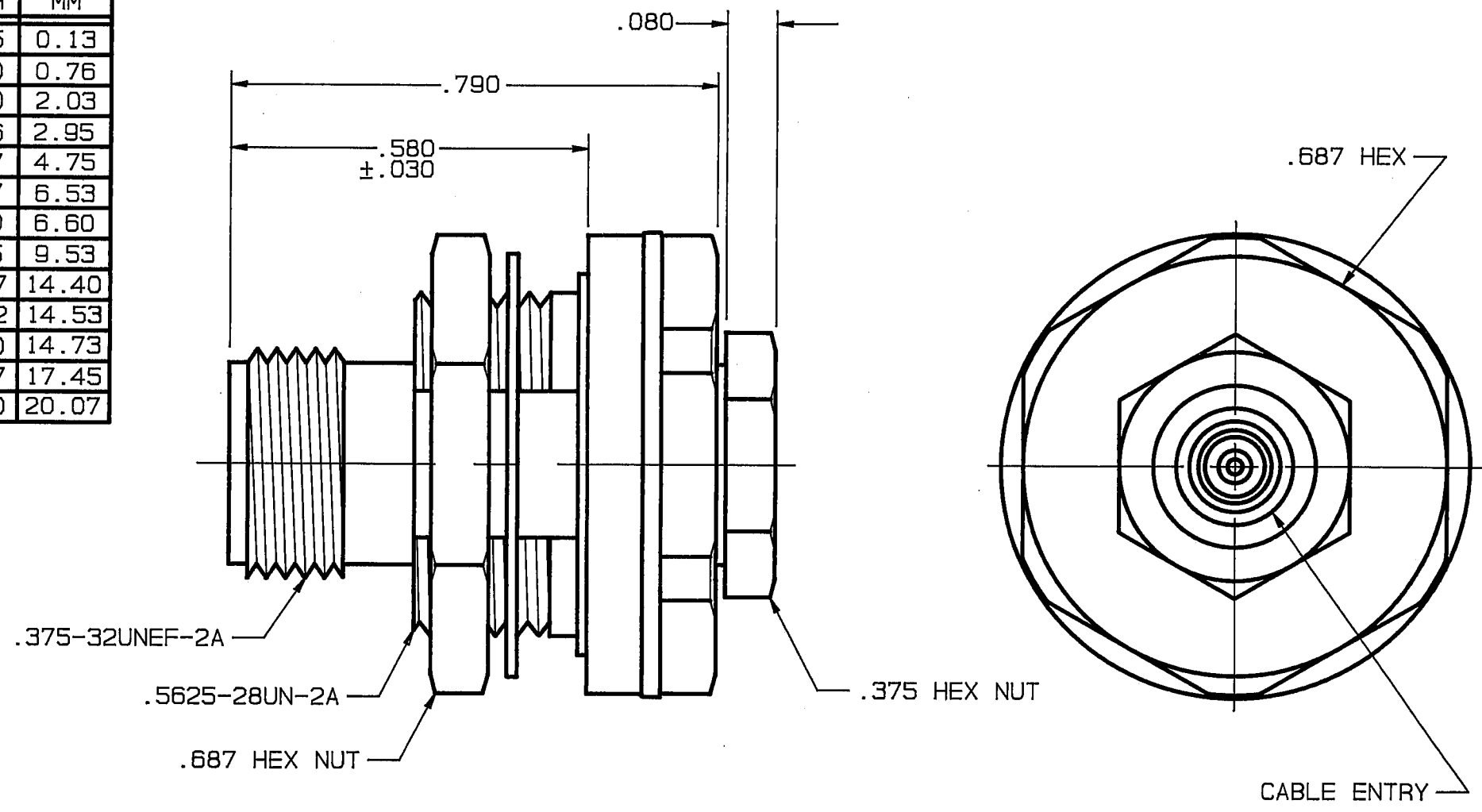


DASH NO	CABLES ACCOMMODATED	ASSEMBLE PER
-23	275-3930, MICRODOT	TAI-127
-24	202-3934, MICRODOT	TAI-125
-24A	9530A5117, RAYCHEM	TAI-127
-27	202-3927, MICRODOT 73-1317911-1, SYLVANIA	TAI-125
-29	TWC-124-1A TWC-78-1	TAI-125
-30	8441, BELDEN  761A, W.E.CO.	TAI-125
-32	TRC-50-1	TAI-127
-33	TRC-75-1	TAI-127
-43	250-4044/250-4045 293-3930 MICRODOT	TAI-174
-47	M17/176-00002 	TAI-125
-49	TWAC-78-1F2 	TAI-125
-56	GC8756C1, GRUMMAN	TAI-174
-57	GC8756B1, GRUMMAN	TAI-174
-58	GC875TM24H, GRUMMAN	TAI-125


DISK # H 7
 DWG SIZE B
 DATA CONTAINED IN THIS DOCUMENT IS PROPRIETARY TO TROMPETER ELECTRONICS INC. AND SHALL NOT BE DISCLOSED, COPIED OR USED FOR PROCUREMENT OR MANUFACTURE WITHOUT EXPRESS WRITTEN PERMISSION.

REVISIONS			3-0092		SH 1
REV	EO	DESCRIPTION	DWN	APPROVED	DATE
G	9117	ADDED -43; ADDED ITEMS 13 & 14 TO L/M; ITEMS 13 & 14 FOR -29 & -57 WERE ITEMS 5 & 6	J S		12-13-90

INCH	MM
.005	0.13
.030	0.76
.080	2.03
.116	2.95
.187	4.75
.257	6.53
.260	6.60
.375	9.53
.567	14.40
.572	14.53
.580	14.73
.687	17.45
.790	20.07




RECOMMENDED
PANEL CUTOUT
SCALE: NONE

 .187 LG JACKET SLITS MAY BE REQUIRED FOR EASE OF ASSY

 NOT WRENCH CRIMP

4. MAX PANEL THK .116
3. CONCENTRIC TWINAX/TRIAX SUBMINIATURE TTM THREADED INSULATED BULKHEAD MOUNT RECEPTACLE
2. FINISH: TFS-1A (NICKEL)
1. ALL DIM ARE IN INCHES

QTY	DESCRIPTION		PART NUMBER	ITEM
TOL UNLESS SPECIFIED				
.XX ±				
.XXX ± .005				
.XXXX ±				
ANGLES ±				
DWN	J S	12/4/90	MATERIAL	CODE IDENT
CHK	E.E.	12-11-90	—	14949
ENGR	K.Q.	12-13-90		
APPR		12-13-90	SCALE 4/1	DATE 7/1/83
NEXT ASSY			DRAWING NO. 3-0092	REV G
			SHEET 1 OF 2	