



Raychem

TE Internal #: 246592-000

Multicore Cable, Spec 55A, 600V Voltage Rating, Operating Temperature Range -55 – 200 °C, 28AWG Wire Size

[View on TE.com >](#)

Wire & Cable > Multicore Cable



Cable Type: **Spec 55A**

Voltage Rating: **600 V**

Shielded: **Yes**

Shield Material: **Silver-Coated Copper**

Jacket Color: **White**

Features

Product Type Features

Cable Type	Spec 55A
Shielded	Yes

Configuration Features

Conductor Configuration	Twisted Quad
-------------------------	--------------

Electrical Characteristics

Voltage Rating	600 V
----------------	-------

Body Features

Shield Material	Silver-Coated Copper
Jacket Color	White

Dimensions

Wire Size	28 AWG
-----------	--------

Usage Conditions

Operating Temperature Range	-55 – 200 °C
-----------------------------	--------------

Product Compliance

[For compliance documentation, visit the product page on TE.com>](#)

EU RoHS Directive 2011/65/EU	Compliant
------------------------------	-----------

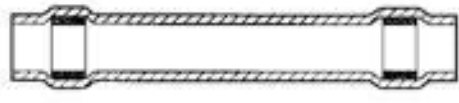


EU ELV Directive 2000/53/EC	Compliant
China RoHS 2 Directive MIIT Order No 32, 2016	No Restricted Materials Above Threshold
EU REACH Regulation (EC) No. 1907/2006	Current ECHA Candidate List: JUN 2020 (209) Candidate List Declared Against: JAN 2019 (197) Does not contain REACH SVHC
Halogen Content	Out of Scope - excluded from Halogen requirements
Solder Process Capability	Not applicable for solder process capability

Product Compliance Disclaimer

This information is provided based on reasonable inquiry of our suppliers and represents our current actual knowledge based on the information they provided. This information is subject to change. The part numbers that TE has identified as EU RoHS compliant have a maximum concentration of 0.1% by weight in homogenous materials for lead, hexavalent chromium, mercury, PBB, PBDE, DBP, BBP, DEHP, DIBP, and 0.01% for cadmium, or qualify for an exemption to these limits as defined in the Annexes of Directive 2011/65/EU (RoHS2). Finished electrical and electronic equipment products will be CE marked as required by Directive 2011/65/EU. Components may not be CE marked. Additionally, the part numbers that TE has identified as EU ELV compliant have a maximum concentration of 0.1% by weight in homogenous materials for lead, hexavalent chromium, and mercury, and 0.01% for cadmium, or qualify for an exemption to these limits as defined in the Annexes of Directive 2000/53/EC (ELV). Regarding the REACH Regulation, the information TE provides on SVHC in articles for this part number is based on the latest European Chemicals Agency (ECHA) 'Guidance on requirements for substances in articles' posted at this URL: <https://echa.europa.eu/guidance-documents/guidance-on-reach>

Compatible Parts




TE Model / Part # D17660-000
D-200-82

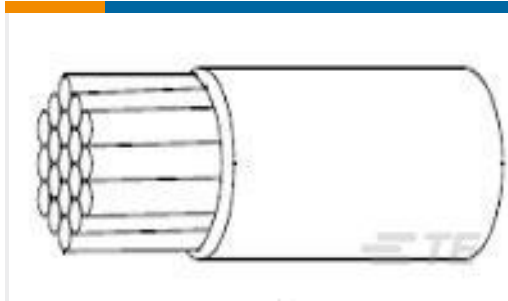
Customers Also Bought




TE Model / Part #211012-4
AMPLIMITE CONN SVR,44 POS,TRW



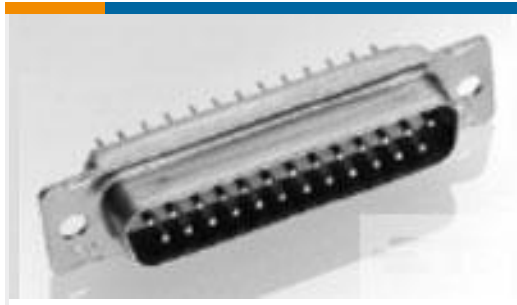
TE Model / Part #803143-000
55A6262-24-9/96-9CS2275



TE Model / Part #216441-000
22759/33-24-0



TE Model / Part #414354-000
55A6262-22-9/96-9CS2275



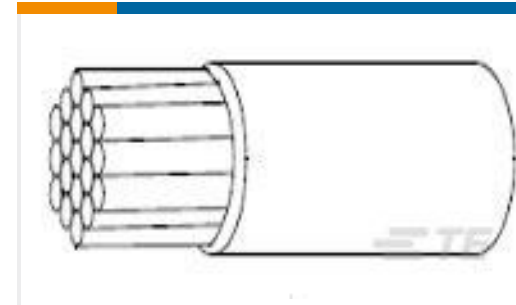
TE Model / Part #206498-1
PLUG ASSY,15 POSN,AMPLIMIT



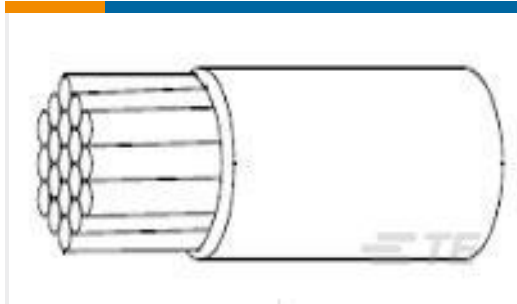
TE Model / Part #206500-1
PLUG ASSY,26 POSN,Sz2,AMPLIMITE



TE Model / Part #207253-1
RECEPT ASSY,9 POSN,AMPLIMITE



TE Model / Part #928804-000
22759/33-24-1



TE Model / Part #129796-000
22759/33-24-3



TE Model / Part #YDTS24G13-
35SNV001
RECP ASSY

Documents

Product Drawings

[55A6262-28-9/96-9CS2275](#)

English

Datasheets & Catalog Pages

[1654025_Sec9_SPEC55](#)

English

[Raychem Wire and Cable Quick Reference Guide](#)

English

Product Specifications

[Product Specification](#)

English