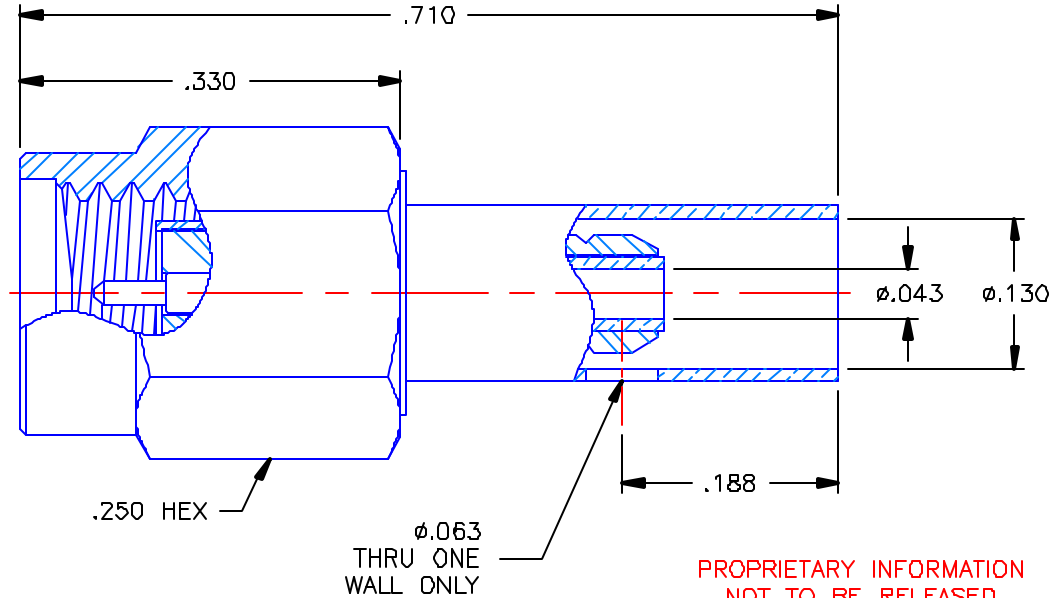


REVISIONS			
REV	DESCRIPTION	DATE	APPROVED
-	INITIAL RELEASE	05/06/02	D.N.
A	ECO #5044	07/01/03	A.D.M.



PROPRIETARY INFORMATION  
NOT TO BE RELEASED  
WITHOUT WRITTEN PERMISSION  
FROM AN AUTHORIZED  
REPRESENTATIVE OF  
APPLIED ENGINEERING PRODUCTS

**NOTES:**


**MATERIALS:**

1. BODY & COUPLING NUT = STAINLESS STEEL PER ASTM A582, ALLOY 303, CONDITION "A".
2. INSULATOR = VIRGIN WHITE TEFLON PER ASTM D1710, GRADE 1, TYPE I, CLASS "B".
3. CONTACT & RETAINING RING = BERYLLIUM COPPER PER ASTM B196, ALLOY C17300, TEMPER TD04.
4. GASKET = SILICONE RUBBER PER ZZ-R-765, CLASS 2B, GRADE 65-75.
5. CRIMP SLEEVE = SEAMLESS LOWLEAD BRASS TUBE, ALLOY 330, SOFT ANNEAL TEMPER, .025/.060 GRAIN SIZE OR SEAMLESS COPPER TUBE PER ASTM B75, TYPE C12000, TEMPER: LIGHT ANNEAL Q50 EXCEPT YIELD STRENGTH.
6. BUSHING = BRASS PER ASTM B16, ALLOY C36000, TEMPER H02.
7. SHRINK SLEEVE = THERMOFIT SCL. (NOT SHOWN)

**FINISHES:**

1. BODY = GOLD PLATE PER MIL-G-45204, TYPE II, CLASS 0, GRADE C, OVER .000050 TO .00010 STRESS FREE NICKEL PER QQ-N-290.
2. CONTACT = GOLD PLATE PER MIL-G-45204, TYPE II, CLASS 1, GRADE C, OVER .00010 TO .00020 STRESS FREE SULFAMATE NICKEL PER QQ-N-290.
3. CRIMP SLEEVE & BUSHING = GOLD PLATE PER MIL-G-45204, TYPE II, CLASS 0, GRADE C, OVER .00010 TO .00020 COPPER STRIKE PER MIL-C-14550.

ROCKWELL P/N: 357-9562-010

UNLESS OTHERWISE SPECIFIED DIMENSIONS ARE IN INCHES TOLERANCES ON	DWN. D N	DATE 04/23/02	 <b>APPLIED ENGINEERING PRODUCTS</b> 104 John W. Murphy Dr. New Haven, CT 06513
	CHKD: A.D.M.	DATE 05/06/02	
DECIMAL	ANGLE	APVD: D.J.C.	DATE 05/06/02
REFERENCE:		MATERIALS & FINISHES: SEE NOTES	
ORIGINATOR: D.N. DATE: 04/23/02		SIZE A	FSCM NO. 19505
		DWG. NO. 9763-1033-005	
		SCALE 6:1	REV A
		SHEET 1 OF 1	

9763-1033-005