

RF Characteristics

| Frequency GHz | VSWR (max) | Isolation dB (min) | Ins. Loss dB (max) |
|---------------|------------|--------------------|--------------------|
| DC-4 | 1.20 | 80 | 0.20 |
| 4-8 | 1.30 | 75 | 0.30 |
| 8-12.4 | 1.40 | 70 | 0.40 |
| 12.4-18 | 1.50 | 60 | 0.50 |
| *18-22 | 1.60 | 60 | 0.60 |
| *22-26 | 1.70 | 55 | 0.70 |

Note: RF power for the terminated port is limited by the termination.
* "K" option only



581 Latching Terminated Series SMA

Specifications

Operating Voltage:

(across temperature range)
12 Vdc (11-14 Vdc)
28 Vdc (24-32 Vdc)

Coil Current (max @ nom.Vdc & 20°C):

12 Vdc 550 mA
28 Vdc 240 mA

Switching Time:

15 mS maximum

Operating Temperature:

-25°C to +65°C (Standard)
-55°C to +85°C (Extended "T" Option)

Mechanical Life, Cycles:

1,000,000 minimum

Vibration, Operating:

10 G RMS, 20-2000 Hz

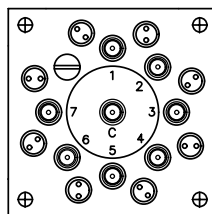
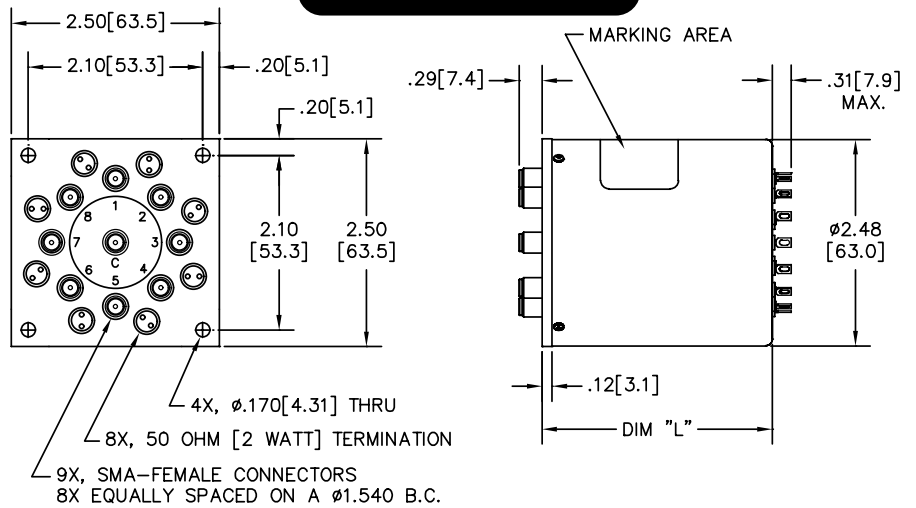
Mechanical Shock, Non-Operating:

50 G, 1/2 Sine, 11 mS

Nominal Weight:

18 oz., (510g.)

Mechanical



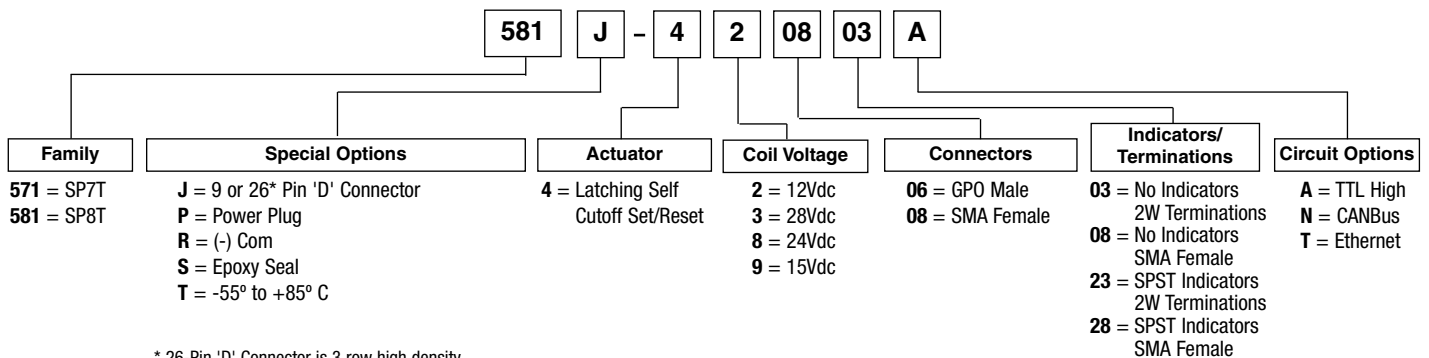
581-430823 Shown

| DIM "L" (MAX) | MODEL | ELEC. SCHEM. |
|---------------|-------------|--------------|
| 2.40 [61.0] | 5X1-4X0803 | 3 |
| 2.70 [68.6] | 5X1-4X0823 | 3 |
| 2.70 [68.6] | 5X1-4X0803A | 4 |
| 3.00 [76.2] | 5X1-4X0823A | 4 |

7 POSITION

For Electrical Schematic see page # 3-17

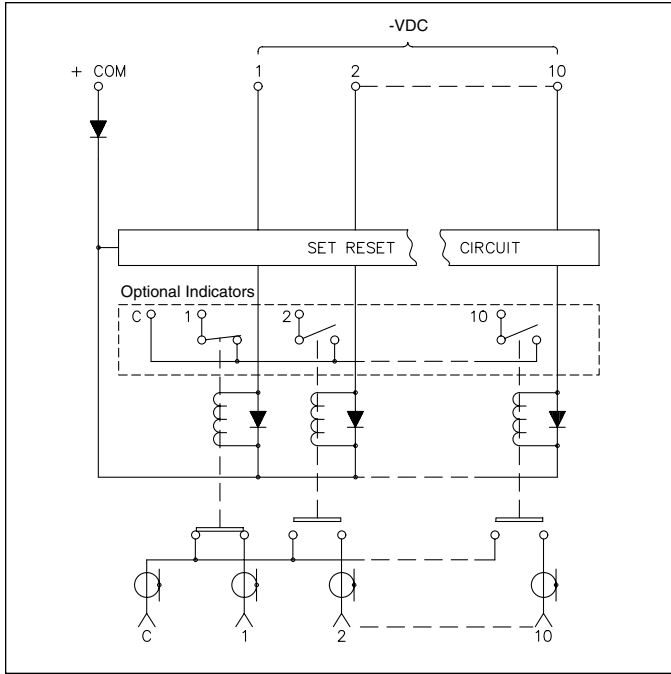
Part Number Selection



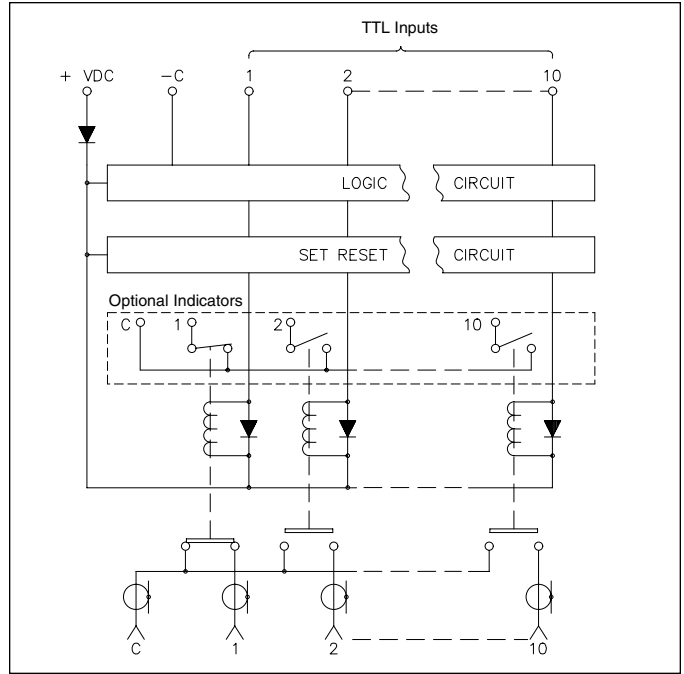
* 26-Pin 'D' Connector is 3 row high density



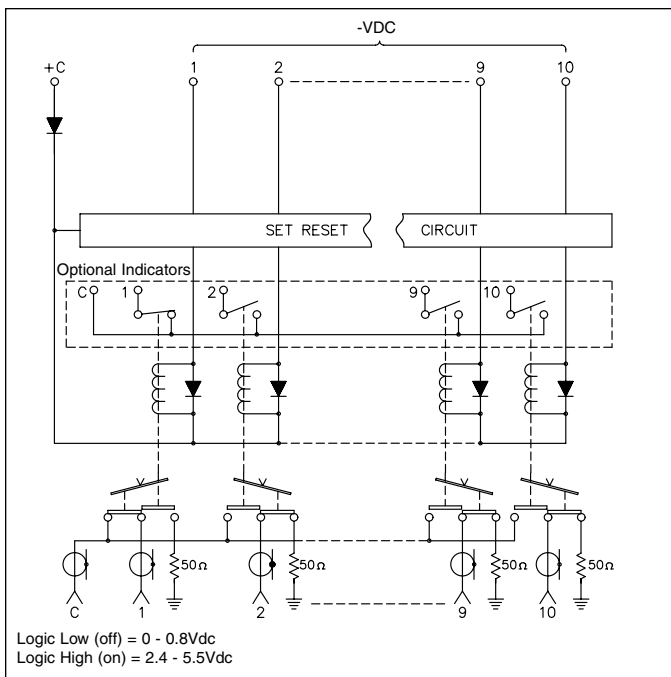
1 Latching Self Cutoff



2 Latching Self Cutoff TTL



3 Latching SCO Terminated



4 Latching SCO Terminated TTL

