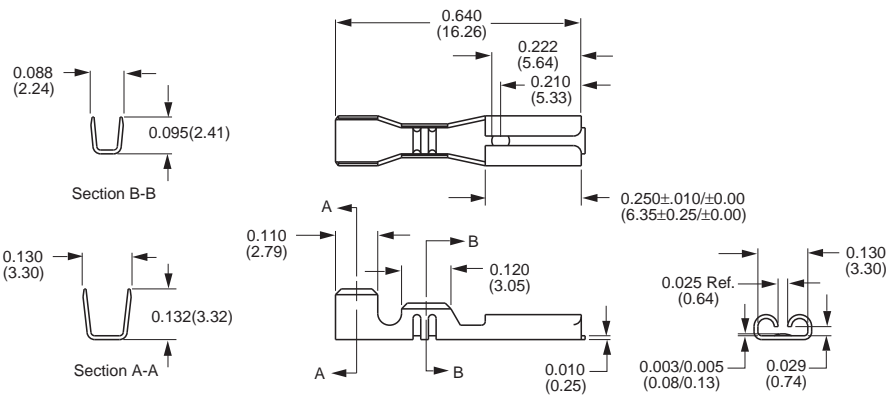
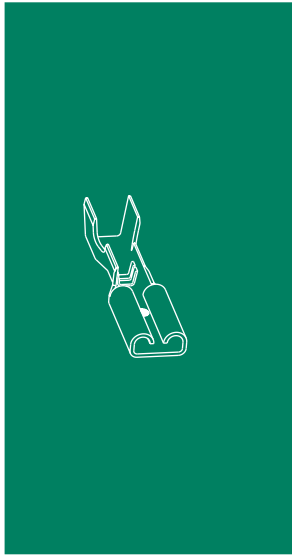
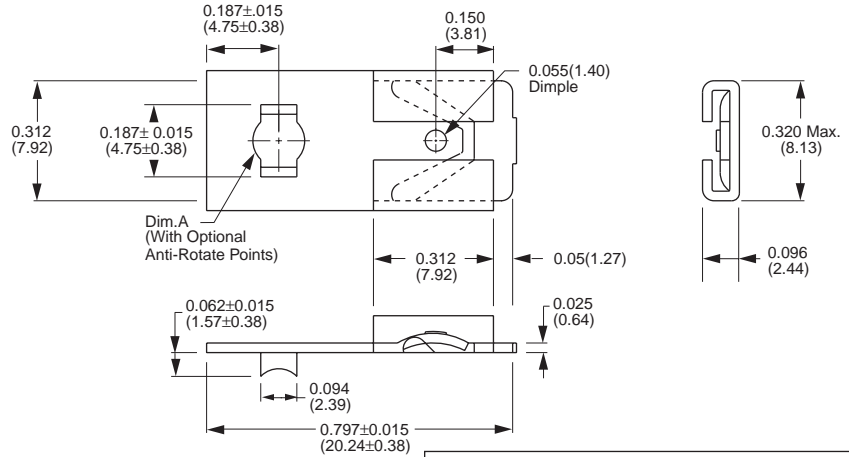
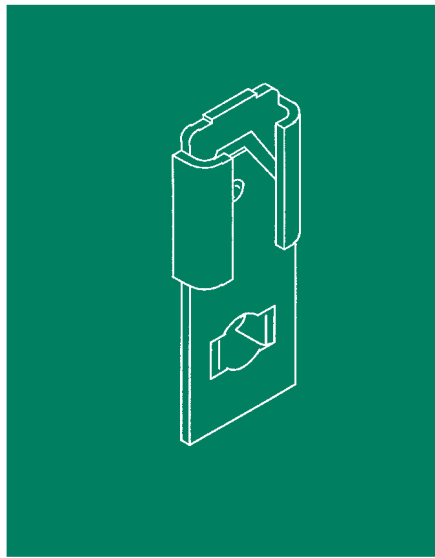


# 0.110" (2.79mm) Quick Disconnect Receptacles (Crimp-On)

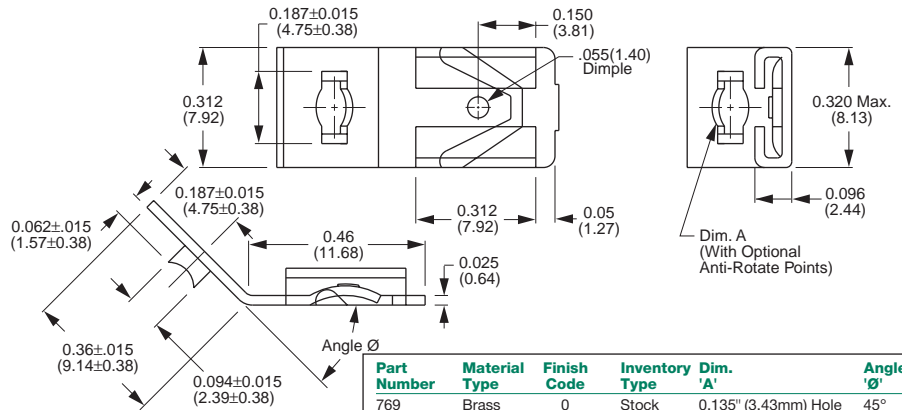
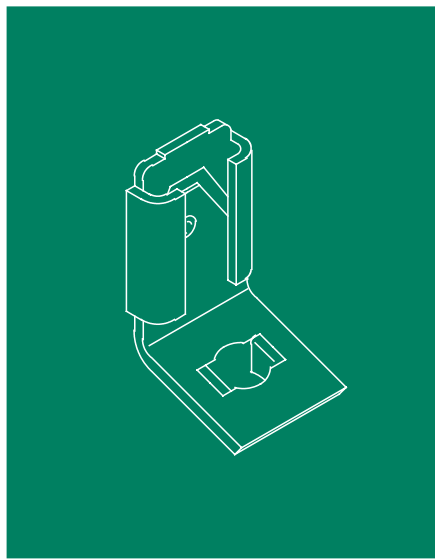


Part Number	Material Type	Finish Code	Inventory Type
875	Brass	11	Stock

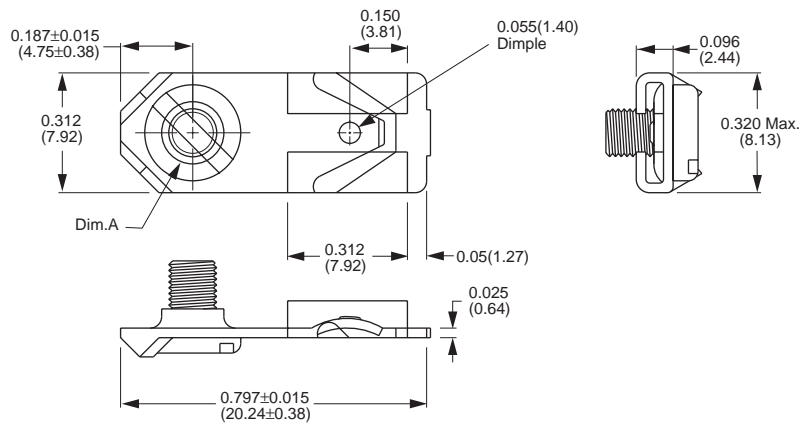
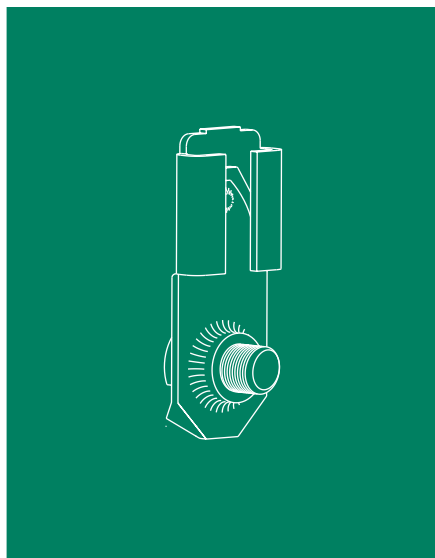
# 0.250" (6.35mm) Quick Disconnect Receptacles



Part Number	Material Type	Finish Code	Inventory Type	Dim. 'A'
768	Brass	0	Stock	0.135" (3.43mm) Hole
775	Brass	0	Special	0.135" (3.43mm) Hole w/Anti Rotate Points

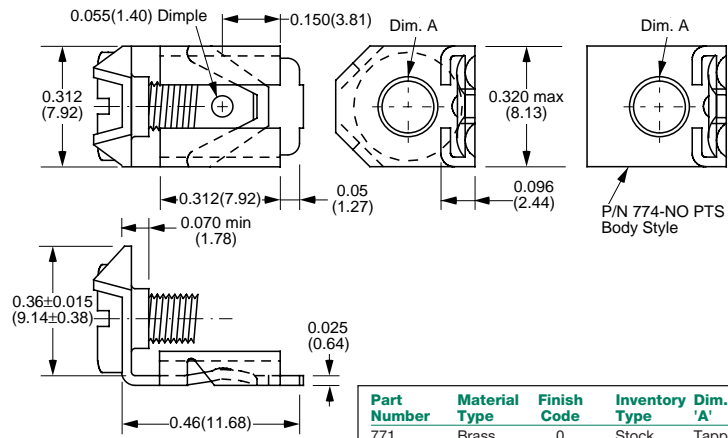
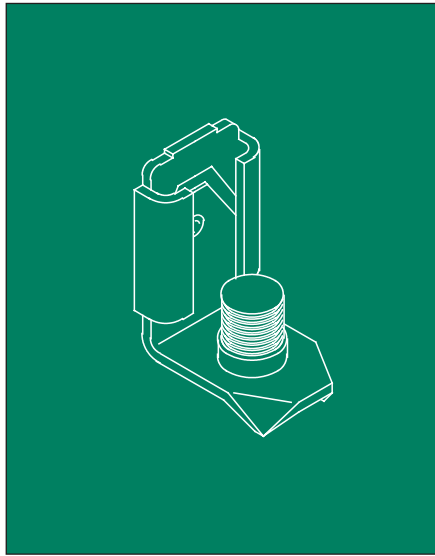


Part Number	Material Type	Finish Code	Inventory Type	Dim. 'A'	Angle 'Ø'
769	Brass	0	Stock	0.135" (3.43mm) Hole	45°
770	Brass	0	Stock	0.135" (3.43mm) Hole	90°
776	Brass	0	Special	0.135" (3.43mm) Hole w/Anti Rotate Points	45°
777	Brass	0	Special	0.135" (3.43mm) Hole w/Anti Rotate Points	90°
778	Brass	0	Special	0.135" (3.43mm) Hole	60°
779	Brass	0	Special	0.135" (3.43mm) Hole w/Anti Rotate Points	60°

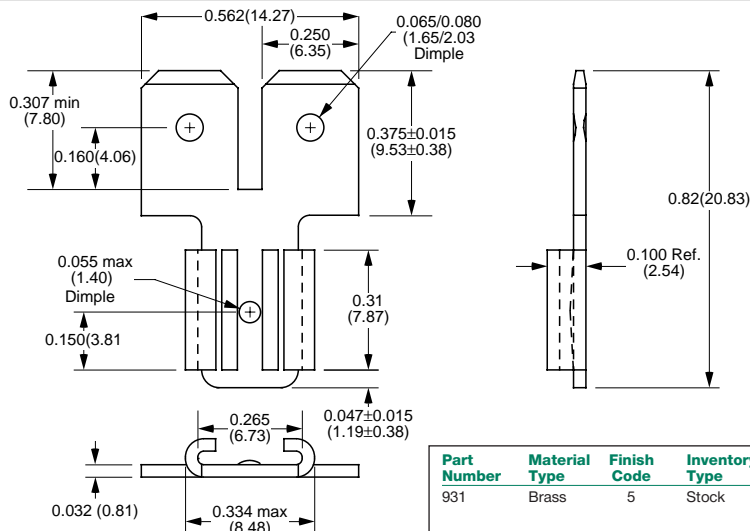
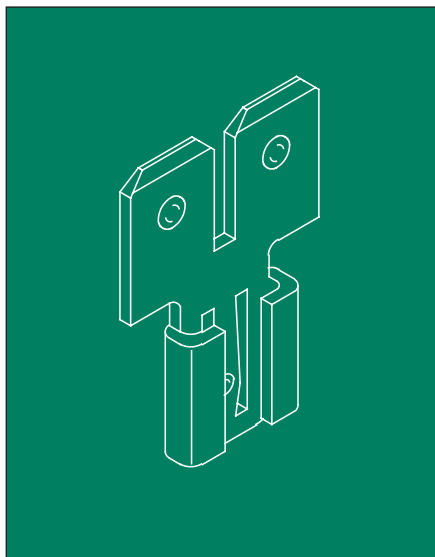


Part Number	Material Type	Finish Code	Inventory Type	Dim. 'A'
850	Brass	0	Stock	Tapped 1/4" x 6-32 Brass Screw Inserted
851	Brass	0	Special	Tapped 1/4" x 6-32 No Screw Inserted

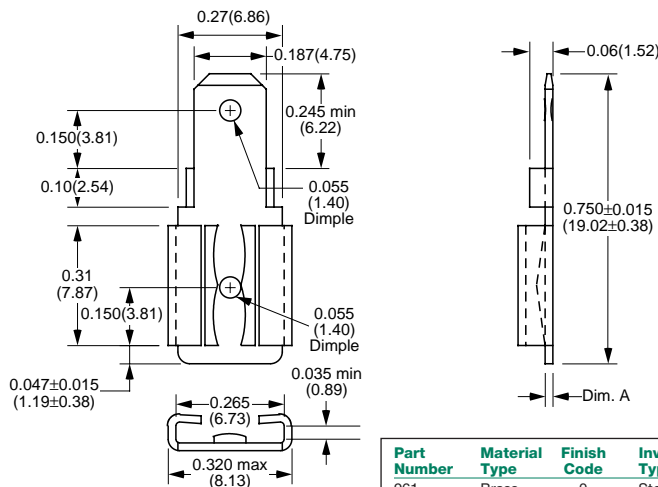
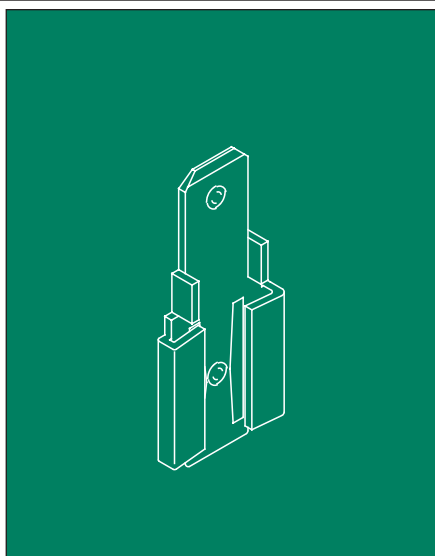
# 0.250" (6.35mm) Quick Disconnect Receptacles



Part Number	Material Type	Finish Code	Inventory Type	Dim. 'A'
771	Brass	0	Stock	Tapped 1/4" x 6-32 Brass Screw Inserted
774	Brass	0	Stock	Tapped 1/4" x 6-32 No Screw Inserted
774-NO PTS	Brass	0	Special	Tapped 1/4" x 6-32 No Screw Inserted, Omit Wire Stops

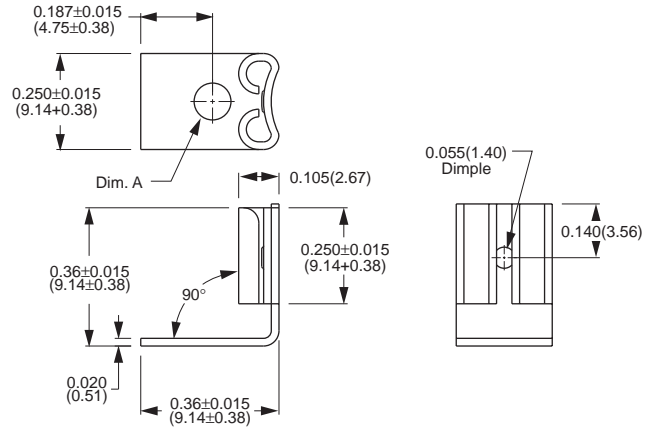
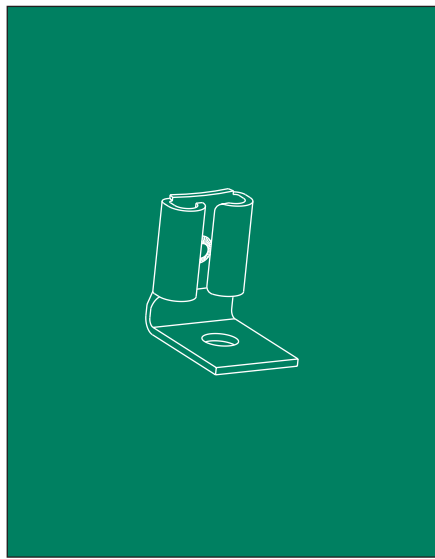


Part Number	Material Type	Finish Code	Inventory Type
931	Brass	5	Stock

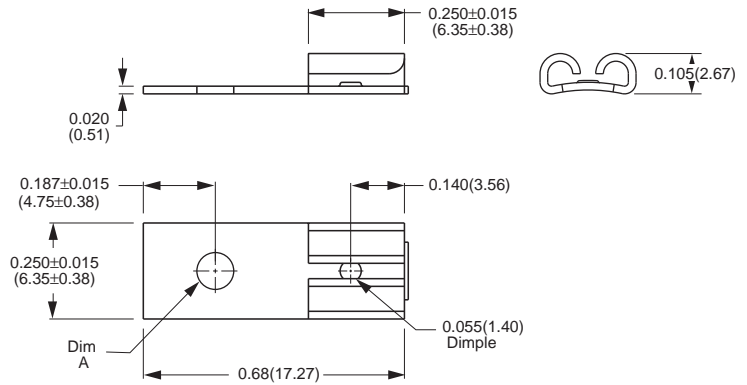
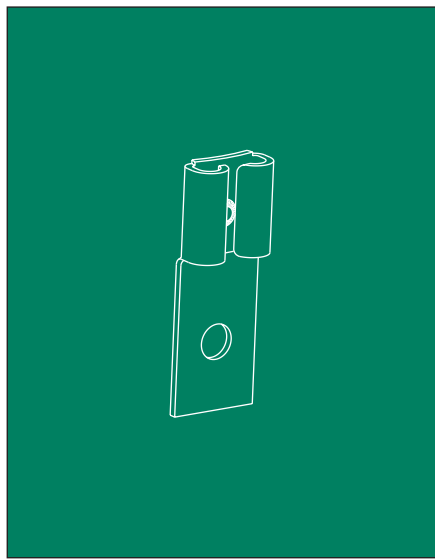


Part Number	Material Type	Finish Code	Inventory Type	Dim. 'A'
961	Brass	0	Stock	0.020" (0.51mm)
961-032BR	Brass	0	Special	0.032" (0.81mm)

# 0.187" (4.75mm) Quick Disconnect Receptacles



Part Number	Material Type	Finish Code	Inventory Type	Dim. 'A'
919-096	Brass	0	Stock	0.096" (2.44mm)



Part Number	Material Type	Finish Code	Inventory Type	Dim. 'A'
1020-096	Brass	0	Special	0.096" (2.44mm)