

# PRODUCT DATA DRAWING

CAD  
GENERATED  
DRAWING

DCN  
CONTROLLED  
DOCUMENT

DWG. NO.

SF 1122-6019

## MATERIAL :

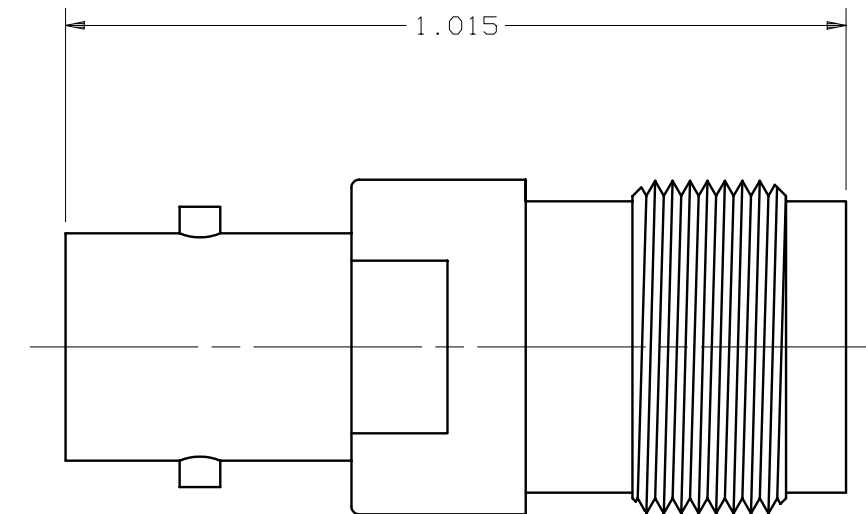
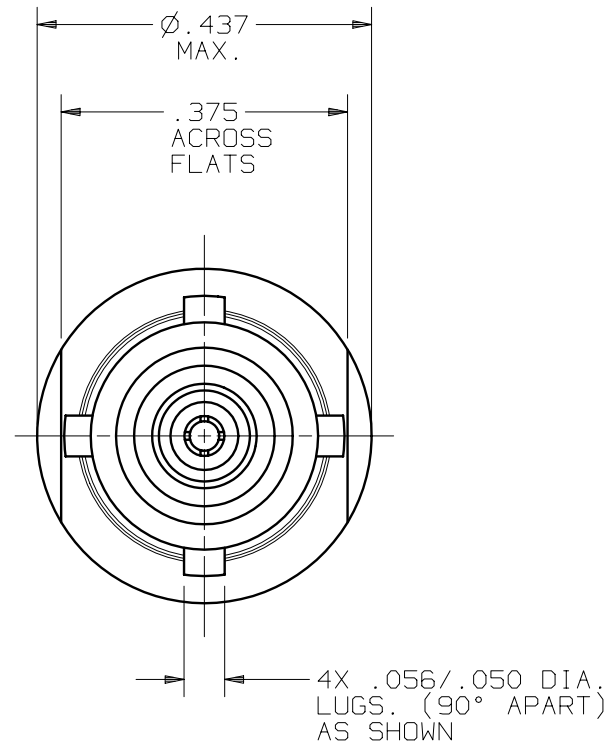
BODIES: STAINLESS STEEL PER AMS-5640  
CONTACT: BERYLLIUM COPPER PER ASTM B196  
INSULATOR: TEFLON PER ASTM D1710

## FINISH :

BODIES: PASSIVATED PER QQ-P-35, TYPE II  
CONTACT: GOLD PER ASTM B488, TYPE II  
GRADE C, CLASS 1.27 OVER NICKEL  
PER QQ-N-290, CLASS 1

## PERFORMANCE :

IMPEDANCE: 50 OHMS  
DWV: 1500 VRMS  
FREQ. RANGE: DC-12.4 GHz  
INSUL. RES.: 5000 MEGOHMS, MIN.



SYM.	DESCRIPTION	DATE	APPR.	UNLESS OTHERWISE SPECIFIED: 1) ALL DIMENSIONS ARE AFTER PLATING. 2) BREAK CORNERS & EDGES .005 R. MAX. 3) CHAM. 1st & LAST THDS. 4) SURFACE ROUGHNESS 63 $\sqrt{\text{MIL-STD-10}}$ . 5) DIAS. ON COMMON CENTERS TO BE CONCENTRIC WITHIN .005 T.I.R. 6) REMOVE ALL BURRS.	DIMENSIONS ARE IN INCHES TOLERANCES:			<b>SV Microwave, Inc.</b> 2400 Centrepark West Drive, Suite 100 West Palm Beach, FL 33409 TITLE: TNC TO 4 (90°) LUG ZMA JACK ADAPTER DWG. NO. SF 1122-6019
				DECIMALS .X $\pm .030$ .XX $\pm .015$ .XXX $\pm .005$	FRACTIONAL $\pm 1/64$	ANGULAR X° $\pm 1'0''$ X°X' $\pm 15''$		
-	REL. DCN 31435	05/04	BRT		MATERIAL: SEE ABOVE	□" AREA: N/A		
				DRAWN: MGT 05/06/04	FINISH: SEE ABOVE			
				CHECKED: BRT 05/07/04	SIZE B	CAGE NO. 95077	SCALE 4X	
				APPROVED: BRT 05/07/04				