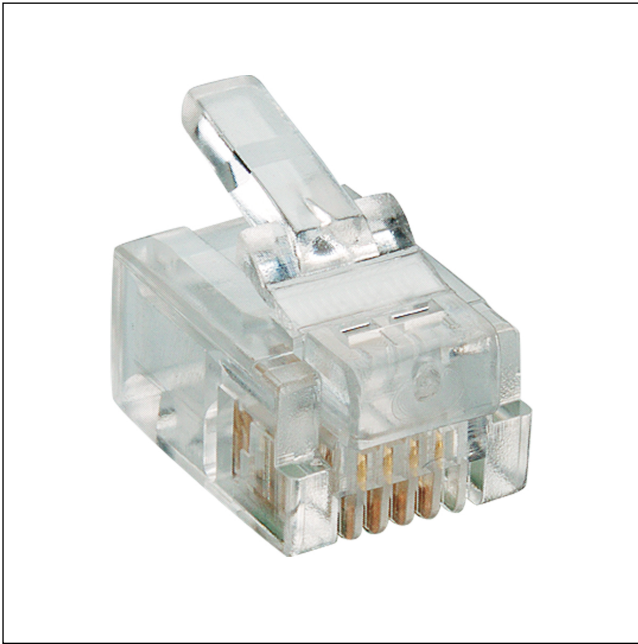


25

P 127

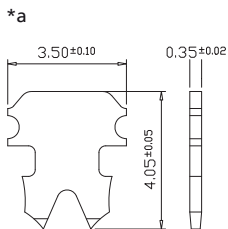
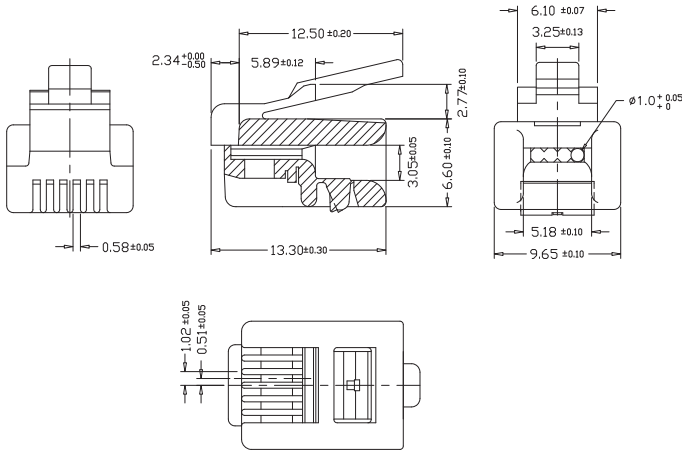
## Modular connectors



Modular plug, 6p4c (RJ14), with locking latch, piercing technology

25

P 127



\*a piercing contact

#### Environmental conditions

Temperature range -40 °C/+125 °C

#### Materials

Insulating body PC, V-2 according to UL94  
Contact CuSn, gold-plated

#### Connectable conductors for piercing area

Section AWG 26–24, 0.128–0.241 mm<sup>2</sup>  
Construction flat cable  
Stripping length cable jacket 6 mm

#### Electrical data (at T<sub>amb</sub> 20 °C)

Rated current 1.5 A  
Rated voltage 250 V AC  
Insulation resistance 500 MΩ

#### Associated products

Counterparts

---

Harnessing equipment

[↗ ZP25-2](#)

[↗ ZP25-3](#)

---

25

P 127

Designation	Pole Number	PU (Pieces)	MDQ (Pieces)
P 127	4	1000	4000

**Packaging:**

in bulk, in a cardboard box or a plastic bag