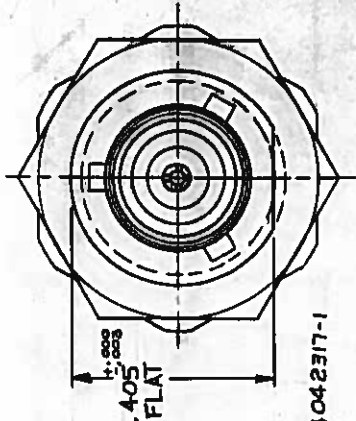
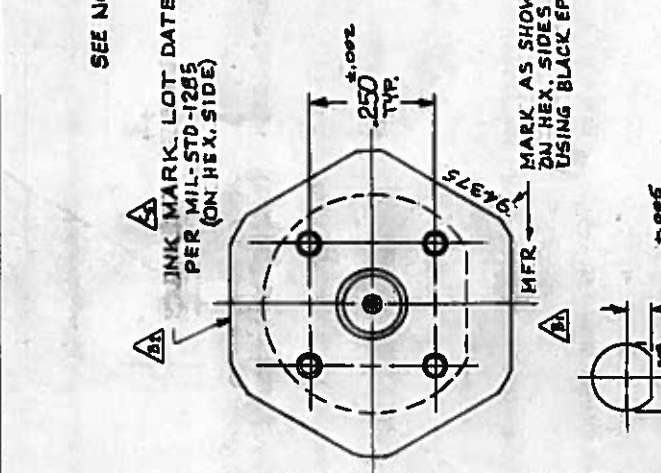
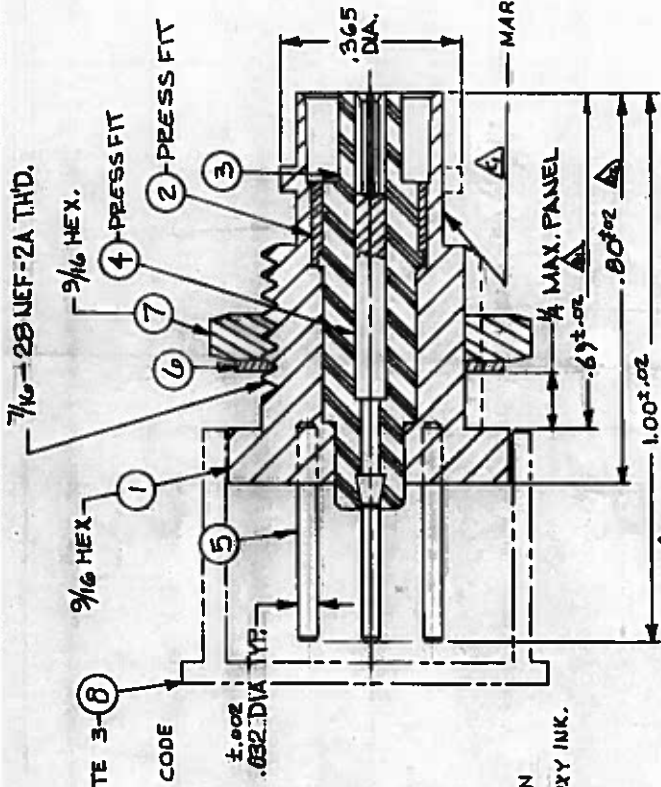


DO NOT SCALE DRAWING

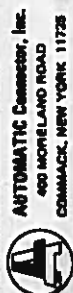


ITEM	QTY	PART NO.	REQ	NAME	EC-10 (REV)
8	01578-8	1	1	CAP PLUG	EC-10 (REV)
-	47-232A (021)	1	1	BODY BRZING ASSEMBLY	BRASS
7	00-7545 (021)	1	1	HEX. NUT	BRASS
6	00-7145 (021)	1	1	USE LWA SHEET INTERNAL TOOTH	BRONZE
5	00-4006 (000)	4	4	PIN	BRASS
4	47-4301 (021)	1	1	CONTACT	BERYL/COPPER
3	47-3300	1	1	INSULATOR	TEFLON
2	47-0850 (021)	1	1	SLEEVE	BRASS
1	47-1321 (000)	1	1	BODY	BRASS
ITEM PART NO. REQ NAME					MATERIAL
DATE 10/1/84					REF. NO. 747177
DRAWN BY					TPS' RECEPTACLE FEMALE
CHECKED BY					P/C BULKHEAD MTG.
TOOL NO.					SCALE 4/1
					PART NO. 47-67000-000

NOTES:
 1- DELETED
 2-TAG, MARK: CECOM P/N: 84042317-1
 (MFR 94375) 47-67000-000 (CUSTOMER)
 3-APPLY PROTECTIVE CAP ITEMS AFTER PIN ALIGNMENT INSPECTION PER 47-2321.

47-67000-000

REV	DATE	BY	CHKD	APPV	REASON
D	12/15/83	V.H.C.			
C	10/1/84	V.H.C.			
B	1/12/84				
A	1/12/84				
	12/15/83				



AUTOMATIC Connector, Inc.
 490 MORELAND ROAD
 COMMACK, NEW YORK 11725