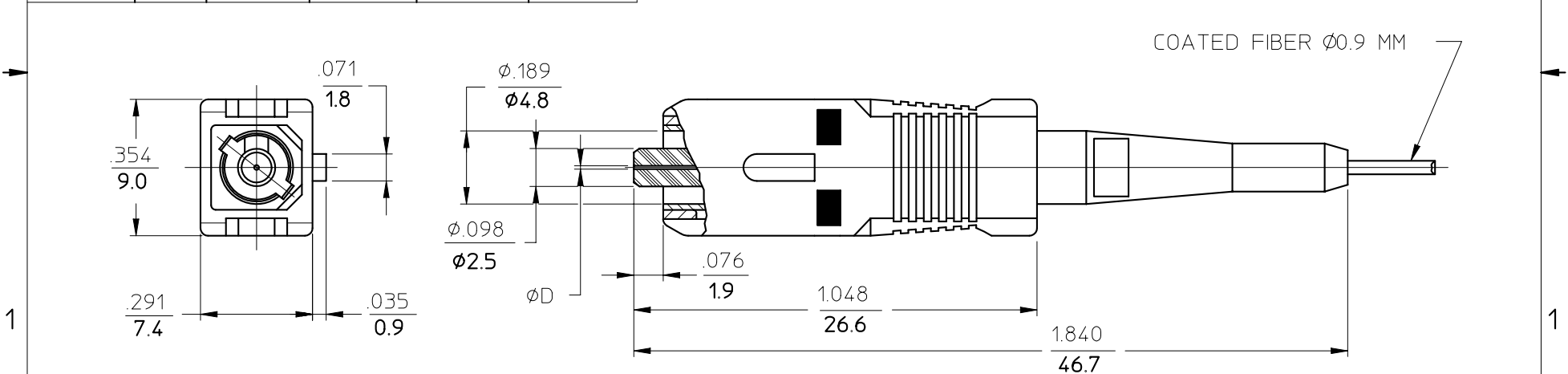


CONNECTOR P/N	∅D (μm)	FERRULE MATERIAL	CONNECTOR TYPE	BOOT COLOR	HOUSING COLOR
86063-0500	127	Zr	MULTIMODE	BLUE	BLUE
86063-0560				BEIGE	BEIGE
86063-0570				BLACK	BLACK
86063-0580				RED	RED
86063-1500	144			BLUE	BLUE
86063-1560				BEIGE	BEIGE
86063-1570				BLACK	BLACK
86063-1580				RED	RED
86063-2500	125.5		SINGLE MODE	YELLOW	BLUE
86063-3500	128		MULTIMODE	BLUE	BLUE
86063-3560				BEIGE	BEIGE
86063-3570				BLACK	BLACK
86063-3580		RED		RED	

CONNECTOR P/N	D (μm)	FERRULE MATERIAL	CONNECTOR TYPE	BOOT COLOR	HOUSING COLOR
86063-4500	125	Zr	SINGLE MODE	YELLOW	BLUE
86063-5500	126				
86063-7500					
86063-8500	127	STAINLESS STEEL	MULTIMODE	BLUE	BEIGE
86063-8560				BEIGE	
86063-8570				BLACK	
86063-8580				RED	



NOTE:
ALL DIMENSIONS ARE GIVEN IN $\frac{\text{INCHES}}{\text{MM}}$

RESTRICTED RELEASE
DRAWING MAY CHANGE WITHOUT
CUSTOMER NOTIFICATION

molex® Fiber Optics
Downers Grove, Illinois

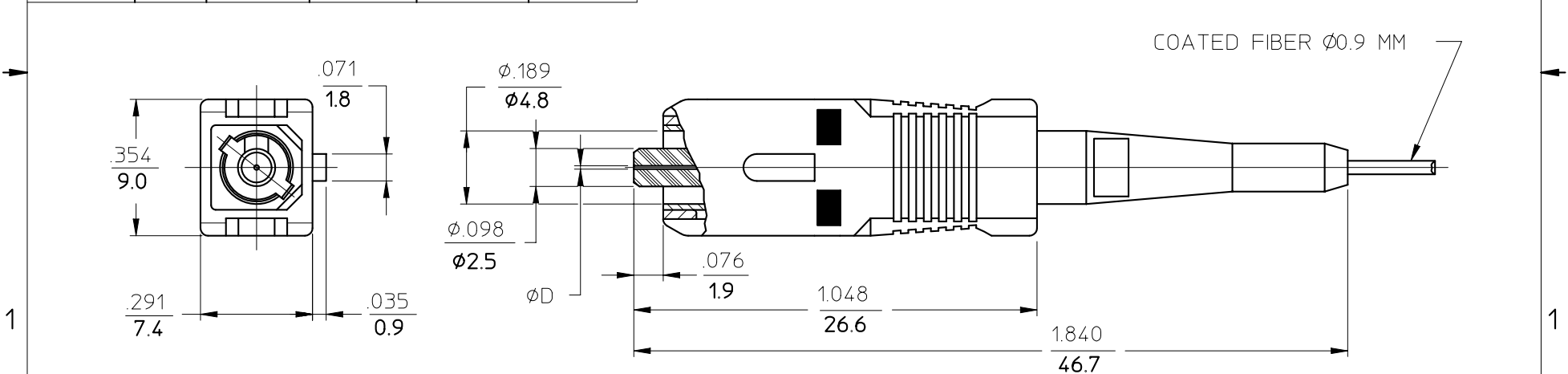
TITLE: SC BARE FIBER CONNECTOR (WITH LOGO)	Size: B	Scale: 4:1	REV: A
Drawing No. 86063-X5X0 CD	Sheet 1 of 1		

B

A

CONNECTOR P/N	∅D (μm)	FERRULE MATERIAL	CONNECTOR TYPE	BOOT COLOR	HOUSING COLOR
86063-0500	127	Zr	MULTIMODE	BLUE	BLUE
86063-0560				BEIGE	BEIGE
86063-0570				BLACK	BLACK
86063-0580				RED	RED
86063-1500	144			BLUE	BLUE
86063-1560				BEIGE	BEIGE
86063-1570				BLACK	BLACK
86063-1580				RED	RED
86063-2500	125.5		SINGLE MODE	YELLOW	BLUE
86063-3500	128		MULTIMODE	BLUE	BLUE
86063-3560				BEIGE	BEIGE
86063-3570				BLACK	BLACK
86063-3580		RED		RED	

CONNECTOR P/N	D (μm)	FERRULE MATERIAL	CONNECTOR TYPE	BOOT COLOR	HOUSING COLOR
86063-4500	125	Zr	SINGLE MODE	YELLOW	BLUE
86063-5500	126				
86063-7500					
86063-8500	127	STAINLESS STEEL	MULTIMODE	BLUE	BEIGE
86063-8560				BEIGE	
86063-8570				BLACK	
86063-8580				RED	



NOTE:
ALL DIMENSIONS ARE GIVEN IN $\frac{\text{INCHES}}{\text{MM}}$

RESTRICTED RELEASE
DRAWING MAY CHANGE WITHOUT
CUSTOMER NOTIFICATION

molex ® Fiber Optics Downers Grove, Illinois	
TITLE: SC BARE FIBER CONNECTOR (WITH LOGO)	Size: B
Drawing No. 86063-X5X0 CD	Scale: 4:1
	REV: A
	Sheet 1 of 1

B

A