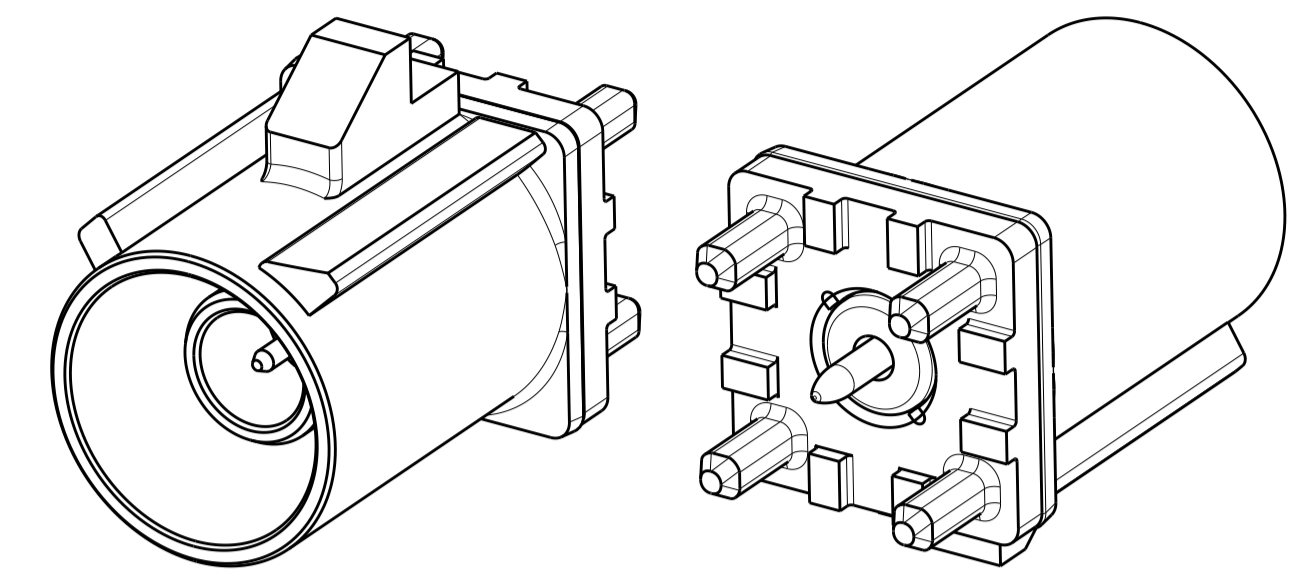
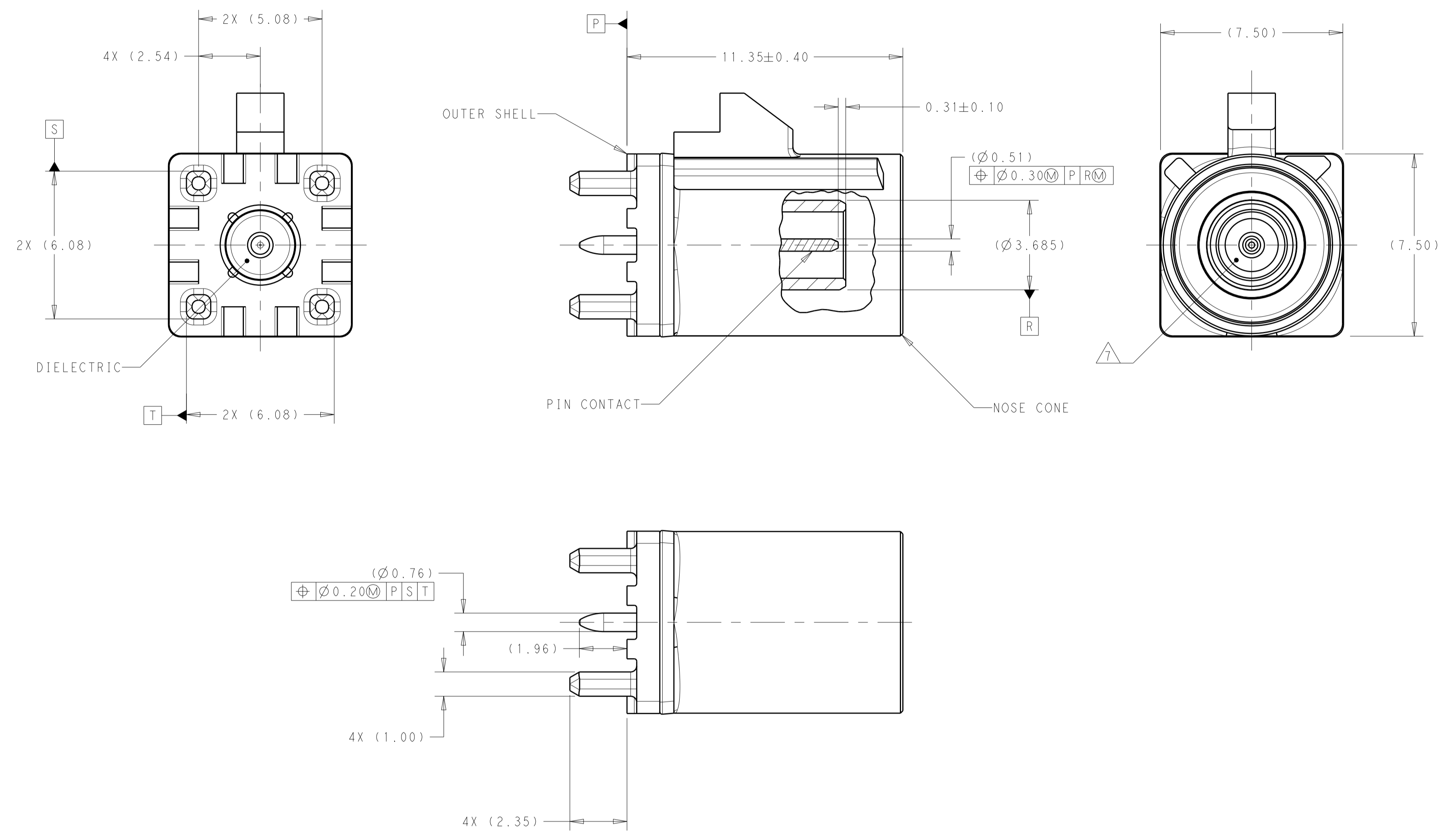


LOC		DIST		REVISIONS			
P	LTN	DESCRIPTION	DATE	OWN	APVD		
B		REVISED PER ECO-16-001707	05FEB2016	ERL	ERL		
B1		REVISED PER ECO-16-004109	16MAR2016	RD	RD		
B2		REVISED PER ECO-16-006284	25APR2016	ERL	ERL		
C		REVISED PER ECO-16-009531	27JUN2016	JAB	ERL		



- ▲ NOSE CONE - NYLON, COLOR: SEE TABLE, 25% GLASS FILLED.
DIELECTRIC - POLYESTER PCT, NATURAL, 30% GLASS FILLED.
PIN CONTACT - BRASS.
OUTER SHELL - ZINC.
- ▲ PIN CONTACT - 0.38µm MIN GOLD ON INTERFACE END, 2.5µm MIN TIN ON SOLDER END,
BOTH OVER 1.3µm MIN NICKEL.
OUTER SHELL - 2.0µm MIN TIN OVER 1.52µm MIN NICKEL,
BOTH OVER 2.54µm MIN COPPER.
- ▲ PIN CONTACT - 0.80µm MIN GOLD ON INTERFACE END, 2.5µm MIN TIN ON SOLDER END,
BOTH OVER 1.3µm MIN NICKEL.
OUTER SHELL - 3.0µm MIN TIN OVER 2.0µm MIN NICKEL,
BOTH OVER 10.0µm MIN COPPER.
- ▲ MASS = 1.05g.
- ▲ MINIMUM RECOMMENDED GROUND PLANE.
- ▲ SIGNAL DIMENSION TRACE RECOMMENDED FOR OPTIMUM SIGNAL PERFORMANCE.
- ▲ MALE INTERFACE PER ISO-20860-1, ROAD VEHICLES 50 Ohm RADIO FREQUENCY INTERFACE.
- ▲ REELING VIEW FOR REFERENCE ONLY TO SHOW UNREELING DIRECTION

FINISH	PACKAGING	KEYING	NOSE CONE COLOR	KEYING CODE	PART NUMBER
3	TAPE AND REEL	PER DETAIL Z	WATER BLUE	Z	9-2203452-0
		PER DETAIL N	PASTEL GREEN	N	8-2203452-3
		PER DETAIL M	PASTEL ORANGE	M	8-2203452-2
		PER DETAIL L	CARMINE RED	L	8-2203452-1
		PER DETAIL K	CURRY	K	8-2203452-0
		PER DETAIL I	BEIGE	I	7-2203452-9
		PER DETAIL H	HEATHER VIOLET	H	7-2203452-8
		PER DETAIL G	BLUE GREY	G	7-2203452-7
		PER DETAIL F	NUT BROWN	F	7-2203452-6
		PER DETAIL E	LEAF GREEN	E	7-2203452-5
		PER DETAIL D	CLARET VIOLET	D	7-2203452-4
		PER DETAIL C	SIGNAL BLUE	C	7-2203452-3
		PER DETAIL B	CREAM	B	7-2203452-2
		PER DETAIL A	JET BLACK	A	7-2203452-1
		PER DETAIL Z	WATER BLUE	Z	7-2203452-0
		PER DETAIL N	PASTEL GREEN	N	6-2203452-3
		PER DETAIL M	PASTEL ORANGE	M	6-2203452-2
		PER DETAIL L	CARMINE RED	L	6-2203452-1
		PER DETAIL K	CURRY	K	6-2203452-0
		PER DETAIL I	BEIGE	I	5-2203452-9
PER DETAIL H	HEATHER VIOLET	H	5-2203452-8		
PER DETAIL G	BLUE GREY	G	5-2203452-7		
PER DETAIL F	NUT BROWN	F	5-2203452-6		
PER DETAIL E	LEAF GREEN	E	5-2203452-5		
PER DETAIL D	CLARET VIOLET	D	5-2203452-4		
PER DETAIL C	SIGNAL BLUE	C	5-2203452-3		
PER DETAIL B	CREAM	B	5-2203452-2		
PER DETAIL A	JET BLACK	A	5-2203452-1		
PER DETAIL Z	WATER BLUE	Z	4-2203452-0		
PER DETAIL N	PASTEL GREEN	N	3-2203452-3		
PER DETAIL M	PASTEL ORANGE	M	3-2203452-2		
PER DETAIL L	CARMINE RED	L	3-2203452-1		
PER DETAIL K	CURRY	K	3-2203452-0		
PER DETAIL I	BEIGE	I	2-2203452-9		
PER DETAIL H	HEATHER VIOLET	H	2-2203452-8		
PER DETAIL G	BLUE GREY	G	2-2203452-7		
PER DETAIL F	NUT BROWN	F	2-2203452-6		
PER DETAIL E	LEAF GREEN	E	2-2203452-5		
PER DETAIL D	CLARET VIOLET	D	2-2203452-4		
PER DETAIL C	SIGNAL BLUE	C	2-2203452-3		
PER DETAIL B	CREAM	B	2-2203452-2		
PER DETAIL A	JET BLACK	A	2-2203452-1		
PER DETAIL Z	WATER BLUE	Z	2-2203452-0		
PER DETAIL N	PASTEL GREEN	N	1-2203452-3		
PER DETAIL M	PASTEL ORANGE	M	1-2203452-2		
PER DETAIL L	CARMINE RED	L	1-2203452-1		
PER DETAIL K	CURRY	K	1-2203452-0		
PER DETAIL I	BEIGE	I	2203452-9		
PER DETAIL H	HEATHER VIOLET	H	2203452-8		
PER DETAIL G	BLUE GREY	G	2203452-7		
PER DETAIL F	NUT BROWN	F	2203452-6		
PER DETAIL E	LEAF GREEN	E	2203452-5		
PER DETAIL D	CLARET VIOLET	D	2203452-4		
PER DETAIL C	SIGNAL BLUE	C	2203452-3		
PER DETAIL B	CREAM	B	2203452-2		
PER DETAIL A	JET BLACK	A	2203452-1		

THIS DRAWING IS A CONTROLLED DOCUMENT. OWN: R. FERNANDES, 15MAY2013. CHK: R. J. DEMARCHIS, 15MAY2013. APVD: R. J. DEMARCHIS, 15MAY2013.

STE TE Connectivity

MALE ASSEMBLY, 1 POSITION, VERTICAL, PCB, FAKRA

108-32058

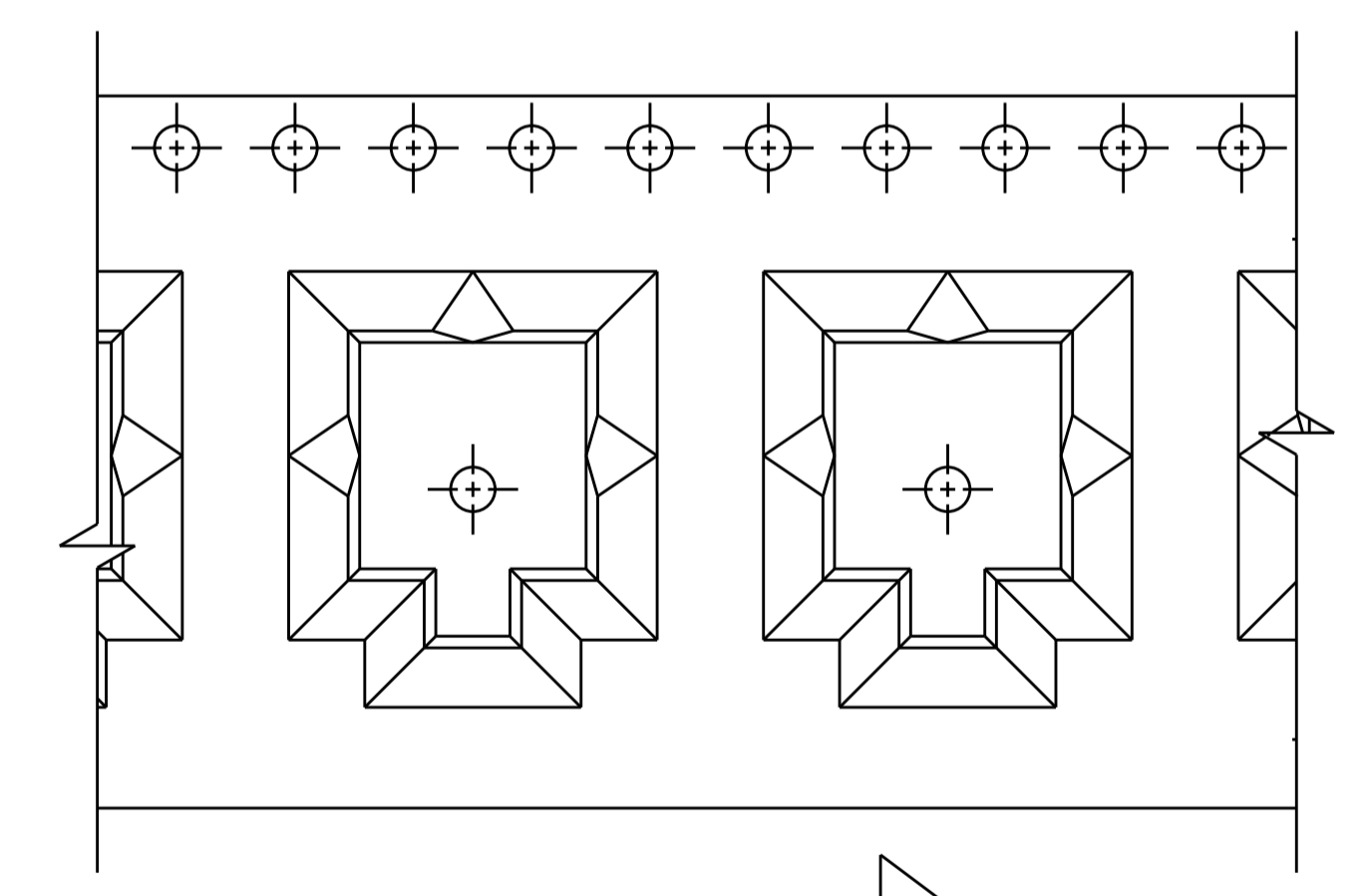
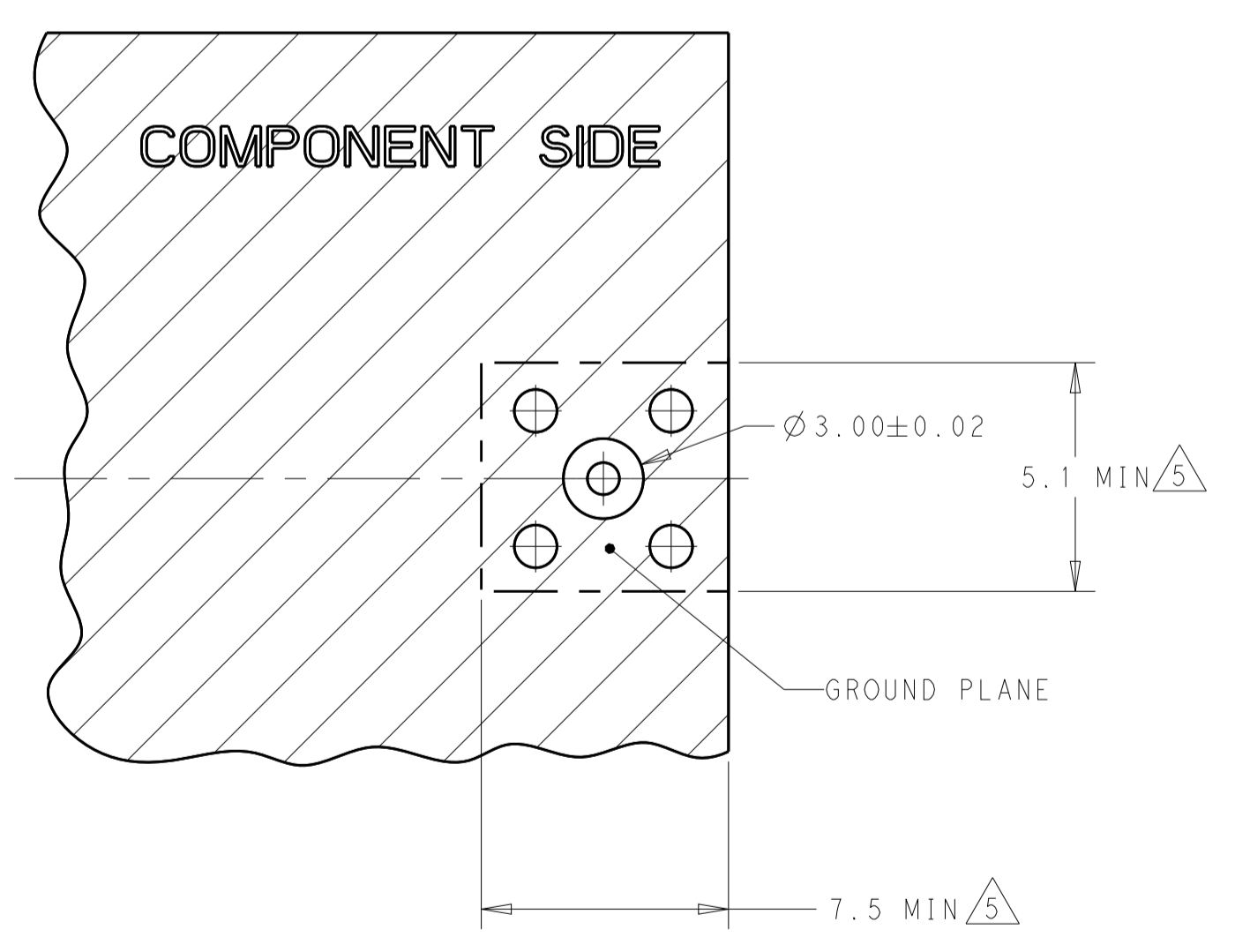
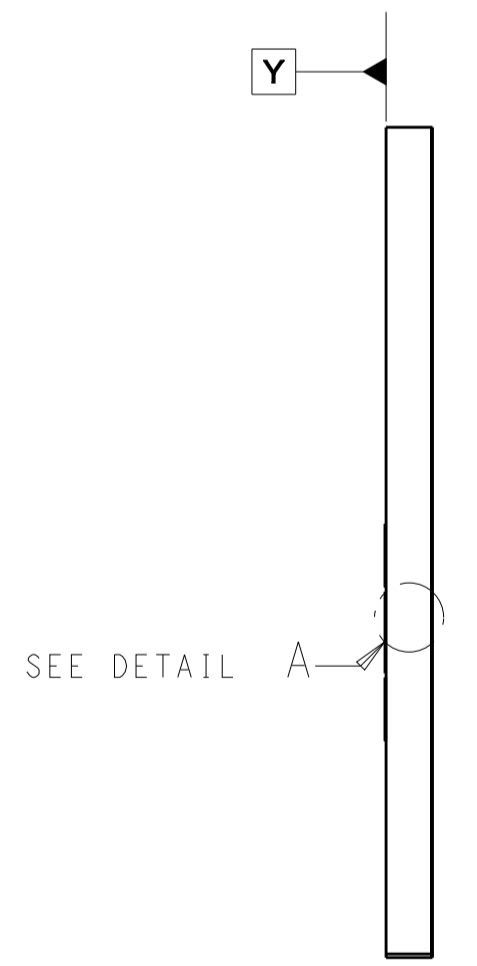
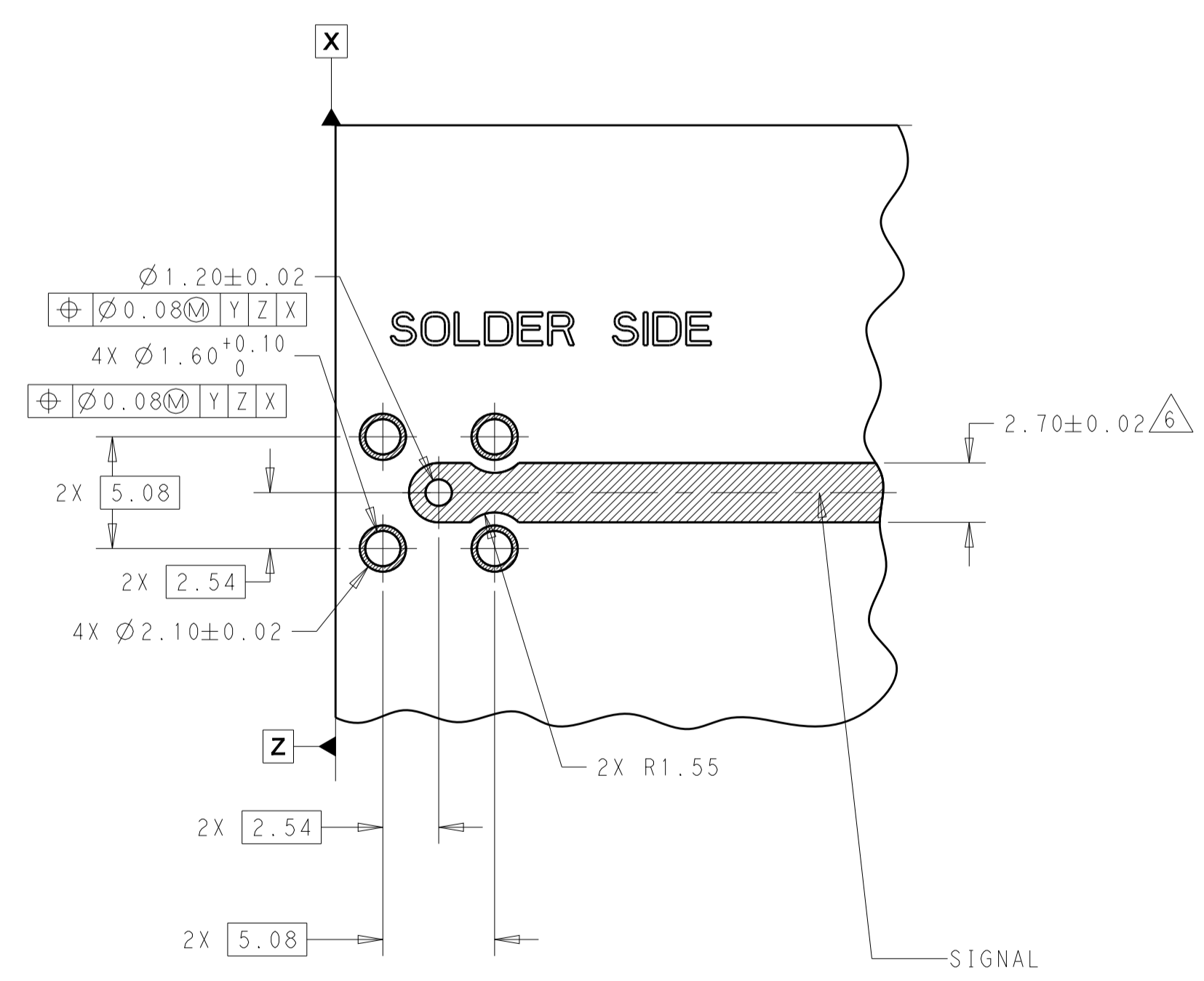
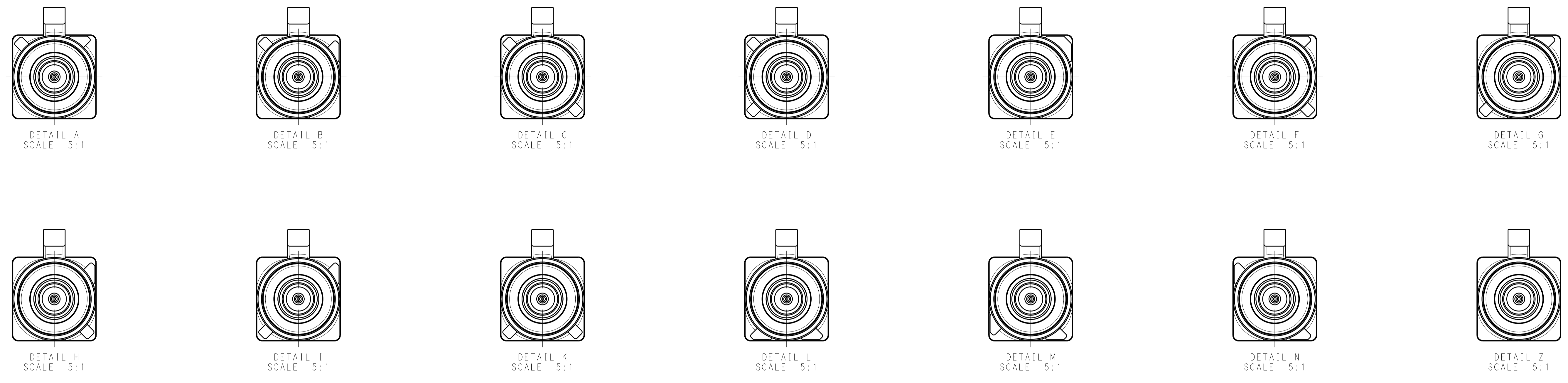
114-32108

100779

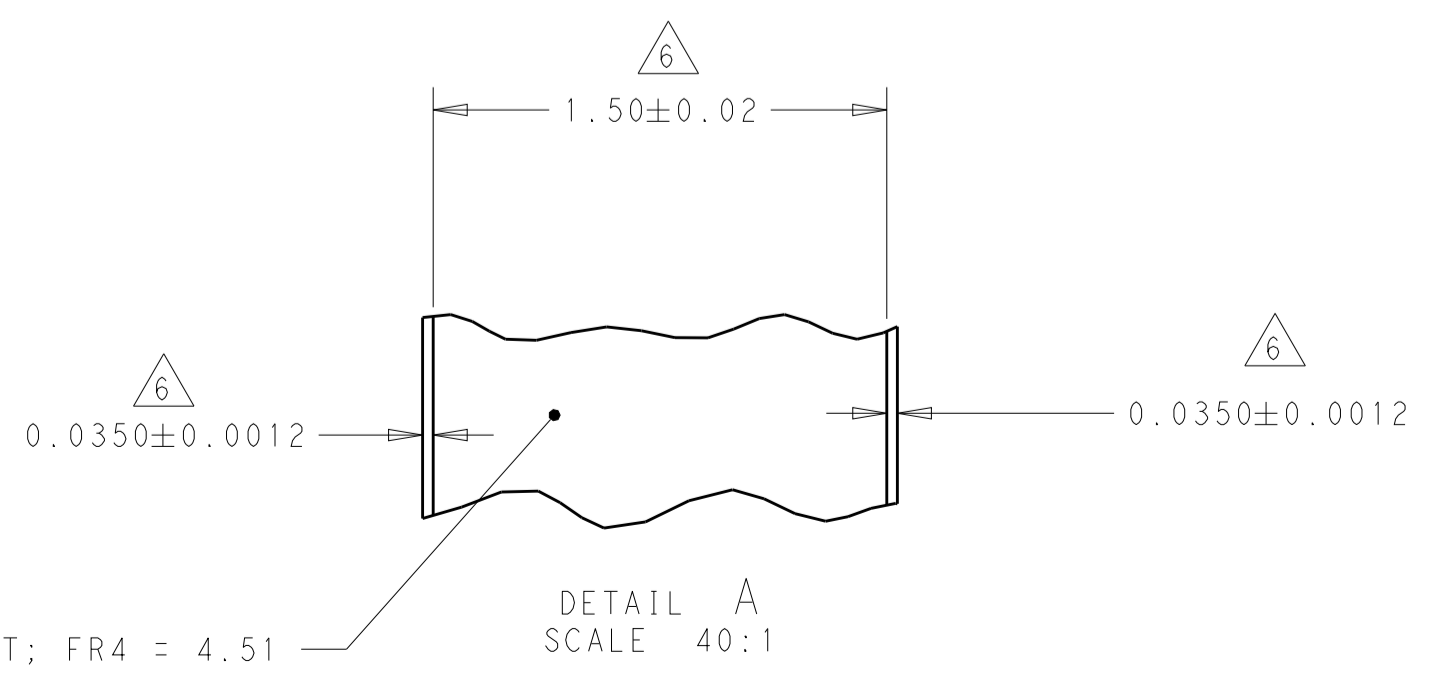
SCALE 8:1 SHEET 1 OF 2 REV C

LOC	DIST	REVISIONS					
		P.	LTM	DESCRIPTION	DATE	DWN	APVD
		rev_sym_1	16E6	8H6E111		rev_deflect_y	dwn_bppr_1
		rev_sym_2	rev_desc_2			rev_deflect_y	dwn_bppr_2
		rev_sym_3	rev_desc_3			rev_deflect_y	dwn_bppr_3
		rev_sym_4	rev_desc_4			rev_deflect_y	dwn_bppr_4

CODINGS



➔ DIRECTION OF UNREELING



△ MATERIAL DIELECTRIC CONSTANT; FR4 = 4.51

THIS DRAWING IS A CONTROLLED DOCUMENT.		DWN: R. FERNANDES 15MAY2013	TE Connectivity
DIMENSIONS: mm		CHK: R. J. DEMARCHIS 15MAY2013	
TOLERANCES UNLESS OTHERWISE SPECIFIED:		APVD: R. J. DEMARCHIS 15MAY2013	NAME: MALE ASSEMBLY, 1 POSITION, VERTICAL, PCB, FAKRA
0 PLC ±	1 PLC ±0.08	PRODUCT SPEC: 108-32058	SIZE: 114-32108
2 PLC ±	3 PLC ±	APPLICATION SPEC: 114-32108	RESTRICTED TO: -
4 PLC ±	ANGLES ±	WEIGHT: 4	SCALE: 8:1
MATERIAL: -		FINISH: -	CUSTOMER DRAWING
SEE TABLE		SIZE: A100779	CAGE CODE: 2203452
		SHEET: 2 OF 2	REV: C