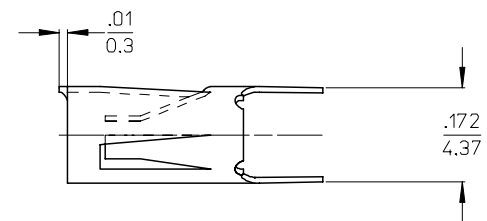
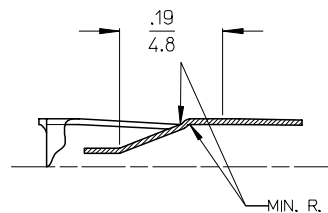
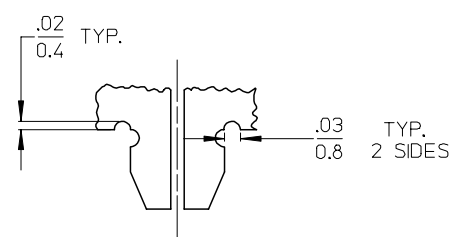
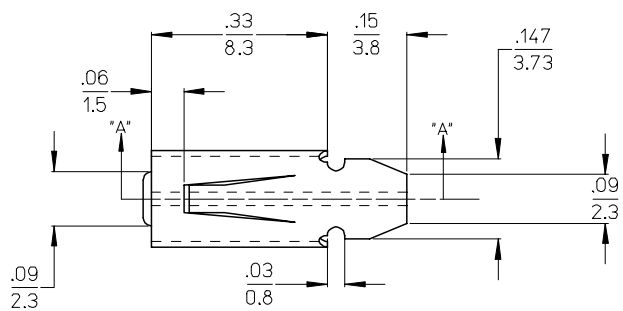
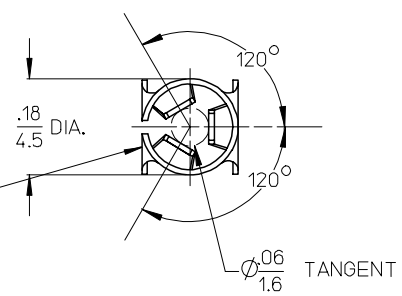
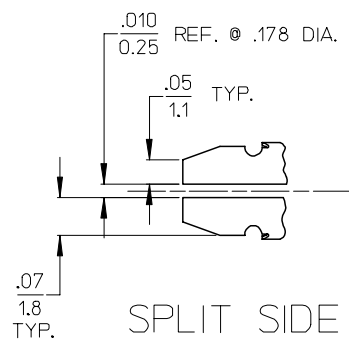


13 12 11 10 9 8 7 6 5 4 3 2 1

PART NO.	ENG. NO.	FORM
02-09-7101	1850A-1	LOOSE



FLAT VIEW

SECTION A-A

NOTES:

1. MATERIAL: CARTRIDGE BRASS, ALLOY C26000, .010/(0.25) THICK.
2. FINISH CODE: 909 HOT TIN DIP .000100/(.002500) MIN.
3. PRODUCT SPECIFICATION: NOT AVAILABLE.
4. PACKAGING INFORMATION: NOT AVAILABLE.

REDRAWN IN CAD EC NO: UCP2006-1894 DRWNS:SSOUSEK 2006/03/30 CHKD: AELHAG 2006/04/11 APPR: FSM TH 2006/04/12 REVISION DESCRIPTION	QUALITY SYMBOLS	GENERAL TOLERANCES (UNLESS SPECIFIED)	DIMENSION STYLE	SCALE	DESIGN UNITS	THIRD ANGLE PROJECTION															
	$\nabla=0$ $\nabla=0$	<table border="1"> <tr> <th></th> <th>mm</th> <th>INCH</th> </tr> <tr> <td>4 PLACES</td> <td>± .010</td> <td>± .0005</td> </tr> <tr> <td>3 PLACES</td> <td>± .013</td> <td>± .0005</td> </tr> <tr> <td>2 PLACES</td> <td>± 0.13</td> <td>± .010</td> </tr> <tr> <td>1 PLACE</td> <td>± 0.25</td> <td>± .010</td> </tr> </table>		mm	INCH	4 PLACES	± .010	± .0005	3 PLACES	± .013	± .0005	2 PLACES	± 0.13	± .010	1 PLACE	± 0.25	± .010	IN/MM	6:1	INCH	
		mm	INCH																		
	4 PLACES	± .010	± .0005																		
3 PLACES	± .013	± .0005																			
2 PLACES	± 0.13	± .010																			
1 PLACE	± 0.25	± .010																			
	<table border="1"> <tr> <th>mm</th> <th>INCH</th> </tr> <tr> <td>4 PLACES</td> <td>± .010</td> </tr> <tr> <td>3 PLACES</td> <td>± .013</td> </tr> <tr> <td>2 PLACES</td> <td>± 0.13</td> </tr> <tr> <td>1 PLACE</td> <td>± 0.25</td> </tr> </table>	mm	INCH	4 PLACES	± .010	3 PLACES	± .013	2 PLACES	± 0.13	1 PLACE	± 0.25	DRAWN BY PRIDDER DATE 3/29/2006 CHECKED BY AELHAG DATE 3/31/2006 APPROVED BY FSMITH DATE 4/3/2006	TITLE								
mm	INCH																				
4 PLACES	± .010																				
3 PLACES	± .013																				
2 PLACES	± 0.13																				
1 PLACE	± 0.25																				
		DRAFT WHERE APPLICABLE MUST REMAIN WITHIN DIMENSIONS	MATERIAL NO. 02-09-7101 SIZE C	DOCUMENT NO. SD-1850-A*-1	SHEET NO. 1 OF 1																

INCONNECT P.C. FEMALE TERMINAL TYPE I

MOLEX INCORPORATED

THIS DRAWING CONTAINS INFORMATION THAT IS PROPRIETARY TO MOLEX INCORPORATED AND SHOULD NOT BE USED WITHOUT WRITTEN PERMISSION

12 11 10 9 8 7 6 5 4 3 2 1