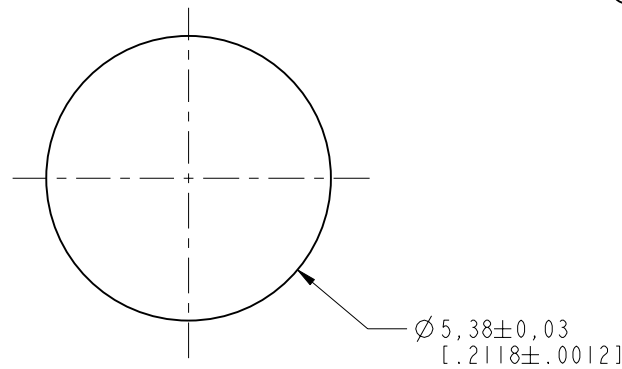
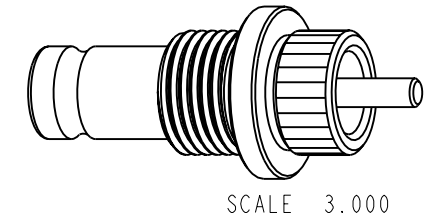
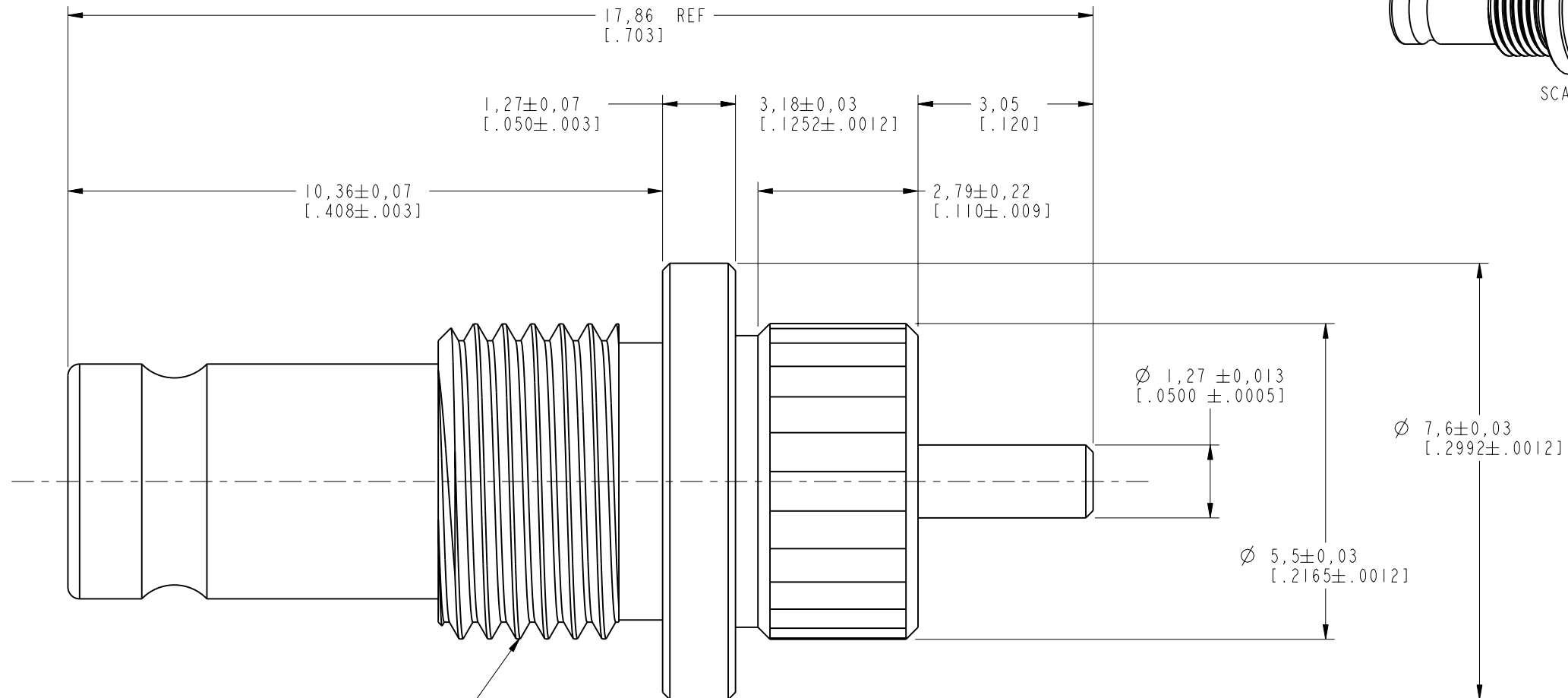


NOTES:

- 1. MATERIAL OF CONSTRUCTION:  
 BODY = STAINLESS STEEL (QQ-S-764, TYPE 303), PASSIVATED (PER QQ-P-35A)  
 CONTACT = BERYLLIUM COPPER (QQ-C-530), GOLD PLATED (.000010 MIN) THICK  
 INSULATOR: PTFE ASTM-D-1710 OR EQUIV.

102-912-20		REVISIONS			
DRAWING NO.	REV	DESCRIPTION	DATE	ECO	APPR
THIRD ANGLE PROJ.	A	RELEASE TO MFG.	2/8/02	43968	CPM



CUSTOMER OUTLINE DRAWING  
ALL OTHER SHEETS ARE FOR INTERNAL USE ONLY

UNLESS OTHERWISE SPECIFIED, DIMENSIONS ARE IN INCHES AND TOLERANCES ARE: 2 PLACE DECIMAL ±.015 (0,381 mm) 3 PLACE DECIMAL ±.005 (0,127 mm) ANGLES ± 1°	MATERIAL	DRAWN C. McGRATH	DATE 2/7/02	TITLE 1.0/2.3 PRESS-IN PANEL JACK	Amphenol Amphenol Corporation Communication and Network Products Division Danbury, CT U.S.A. 06810
	REFERENCE GEN# 102-912-20_ASSY	ENGINEER O. BARTHELMES	DATE 2/7/02		
NOTICE - These drawings, specifications, or other data (1) are, and remain the property of Amphenol Corp. (2) must be returned upon request; and (3) are confidential and not to be disclosed to any person other than those to whom they are given by Amphenol Corp. The furnishing of these drawings, specifications, or other data by Amphenol Corp., or to any other person to anyone for any purpose is not to be regarded by implication or otherwise in any manner licensing, granting rights or permitting such holder or any other person to manufacture, use or sell any product, process or design, patented or otherwise, that may in any way be related to or disclosed by said drawings, specifications, or other data.		APPROVED O. BARTHELMES	DATE 2/8/02	CODE ID 74868	DWG SIZE B
		CAD FILE I:\1023\102-912-20	DRAWING NO. 102-912-20	REV A	SCALE: 10.0:1