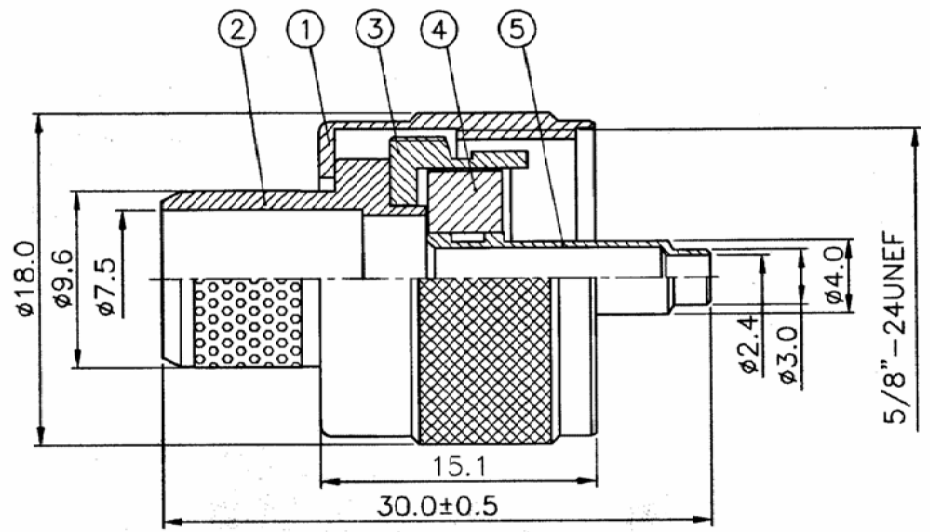
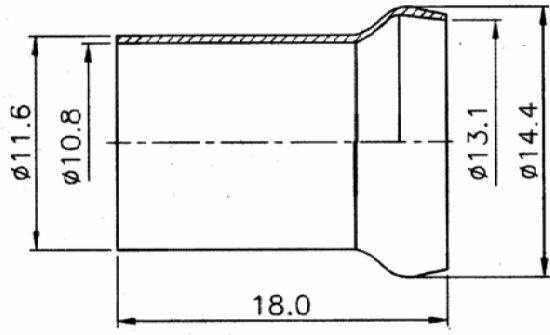


⑥



Item	Name	Material	Finish
1	Shell	Brass	Nickel
2	Body	Brass	Nickel
3	Body	Brass	Nickel
4	Insulator	Delrin	White
5	Pin	Brass	Nickel
6	Ring	Brass	Nickel

RoHS compliant

Rev.	Description	Date	Approved	Drawing	Name	Date
				Approved	Howard	08/10/99
				Checked	Lizzy	08/10/99
				Drawn	Tina	08/10/99
				0.0 ± 0.35	0.00 ± 0.20	Angles ± 3'
				UNIT: mm		

Central Components Manufacturing
 440 Lincoln Blvd., Middlesex, New Jersey 08846
 Phone 732 469-5720 888 288-5152 Fax 732 469-1919

Part No.: **CRF-7501-BNDNE**

Description: Miniature UHF male crimp connector, for 213U cable