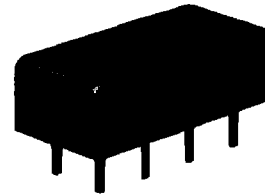


TOROIDAL MIXERS

SERIES MLP



GENERAL SPECIFICATIONS:

Impedance: 50 ohms nominal
DC Offset: 1 mV Typical
Input Power: Low Level 50 MW Max.
(RF + LO): Med Level 200 MW Max.
 High Level 500 MW Max.
Temperature Range: -55 to +100°C (operating & storage)
Peak IF Input Current: 40 MA (Low Level Only)

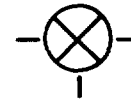
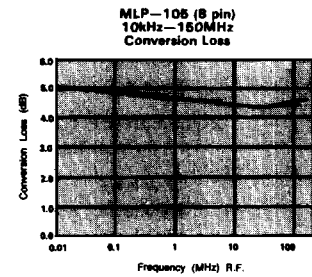
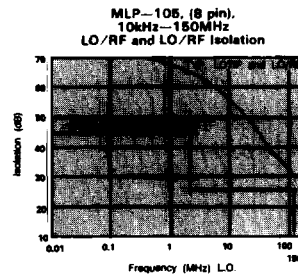
1 dB COMPRESSION POINT (Typical)

Low-level +1 dBm
 Med-level +7 dBm
 High-level +15 dBm

2-TONE INTERMODULATION DISTORTION

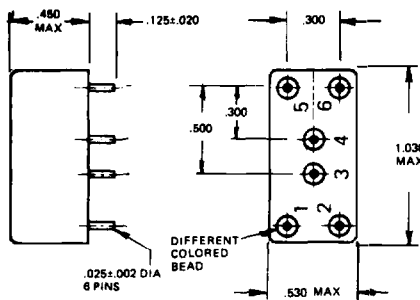
3rd Order Intercept Point (Typical)

Low-level +13 dBm
 Mid-level +23 dBm
 High-level +30 dBm



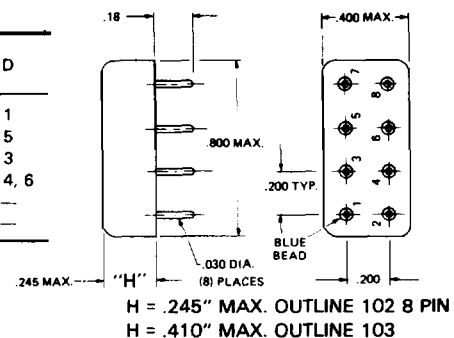
PERFORMANCE SPECIFICATIONS

LO Input Level	Model	Frequency		Conversion Loss (dB Max.)	Isolation (dB Min.)		Outline No.
		LO/RF (MHz)	I.F. (MHz)		LO-RF	LO-IF	
LOW LEVEL +7-10 dBm	MLP-101	0.25-2500	0.25-600	9.0	25	20	102C
	MLP-102	0.5-1250	DC-1000	8.5	20	15	102A
	MLP-105	0.01-150	DC-150	6.0	25	25	103B
	MLP-107	0.1-500	DC-500	7.5	25	20	102B
	MLP-109	1-1000	DC-1000	8.0	25	15	102B
	MLP-112	0.0005-10	DC-10	8.5	35	35	103B
	MLP-707	0.1-500	DC-500	7.5	25	20	117D
	MLP-709	1-1000	DC-1000	8.0	25	15	117D
MED LEVEL +17 dBm	MHP-105	0.01-200	DC-200	7.0	25	25	103B
	MHP-106	1-2500	1-2000	9.0	20	20	102C
HIGH LEVEL +23 dBm	MVP-106	1-2500	1-2000	9.0	20	20	102C
	MVP-107	0.1-500	DC-500	7.5	25	20	103B



OUTLINE 117
6 PIN

PIN CONNECTIONS	A	B	C	D
RF	1	1	1	1
LO	8	8	8	5
IF	3, 4	3, 4	3	3
CASE GRND	2, 5, 6, 7	2	2, 5, 6, 7	2, 4, 6
EXT. GRND	—	5, 6, 7	—	—
NO CONN	—	—	4	—



H = .245" MAX. OUTLINE 102 8 PIN
H = .410" MAX. OUTLINE 103

KDI/triangle ELECTRONICS

31 Farinella Drive • East Hanover, NJ 07936 • Phone: (201) 884-1423
 TWX: (710) 986-8202 • FAX: (201) 884-0445