



SPC
TECHNOLOGY

ALL RIGHTS RESERVED. NO PORTION OF THIS PUBLICATION, WHETHER IN WHOLE OR IN PART CAN BE REPRODUCED WITHOUT THE EXPRESS WRITTEN CONSENT OF SPC TECHNOLOGY.

SPC-F005.DWG

REVISIONS

DCP #	REV	DESCRIPTION	DOC. NO.	SPC-F005	Effective: 7/8/02	DCP No: 1398
			DRAWN	DATE	CHECKD	DATE
			SHS	02-08-10	JAG	12-08-10
					XXX	XXX



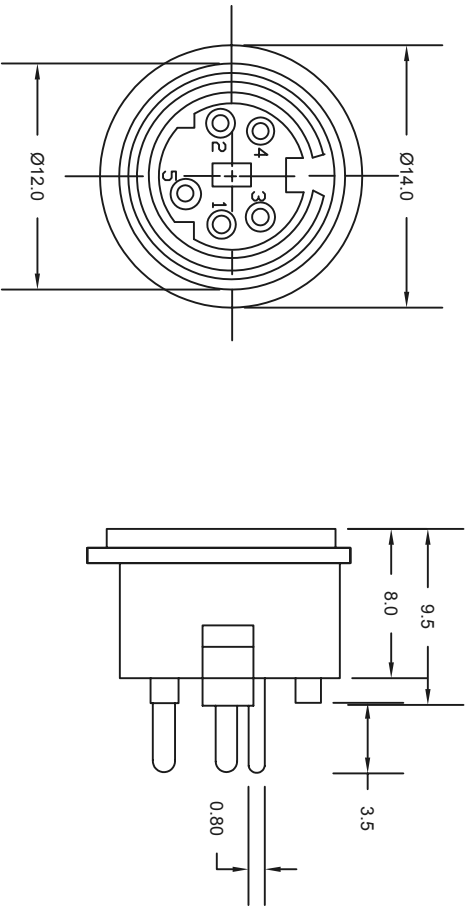
Specifications

Electrical

Contact rating : 1A @ 100VAC, 2A @ 12VDC
 Contact Resistance : 30 milliohms Max
 Insulation Resistance : 50 Megohms Min. at 250VDC
 Dielectric Strength : 250VAC for One Minute

Mechanical

Insertion Force : 1.0 to 4.5 kg
 Withdrawal Force : 0.8 to 3.0 kg
 Operating Life : 5,000 cycles

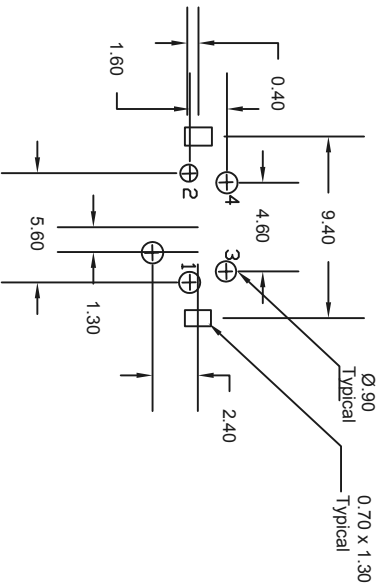


Item	Description	Material/Finish
1	HOUSING	PBT - 30% GLASS, UL94V-0, BLACK
2	GROUND	BRASS, 0.04MM THICK - TIN LEAD PLATED
3	CONTACT	PHOSPHOR BRONZE 0.2MM THICK - SILVER PLATED

Part Number Table

Description	Part Number
5 Pin Din Receptacle	SPC21459

PCB Layout (Button View)



Dimensions : Inches

DISCLAIMER:
ALL STATEMENTS AND TECHNICAL INFORMATION CONTAINED HEREIN ARE BASED UPON INFORMATION AND/OR TESTS WE BELIEVE TO BE ACCURATE AND RELIABLE. SINCE CONDITIONS OF USE ARE BEYOND OUR CONTROL, THE USER SHALL DETERMINE THE SUITABILITY OF THE PRODUCT FOR THE INTENDED USE AND ASSUME ALL RISK AND LIABILITY WHATSOEVER IN CONNECTION THEREWITH.

TOLERANCES:

UNLESS OTHERWISE SPECIFIED, DIMENSIONS ARE FOR REFERENCE PURPOSES ONLY.

DRAWN BY:

SHS

DATE:

02-08-10

DRAWING TITLE:

5 Pin Din Receptacle

CHECKED BY:

JAG

DATE:

12-08-10

APPROVED BY:

XXX

DATE:

17-08-10

SCALE:

NTS

U.O.M.: INCHES [mm]

XXX

ELECTRONIC FILE

84N1181

SHEET: 1 OF 1

REV A