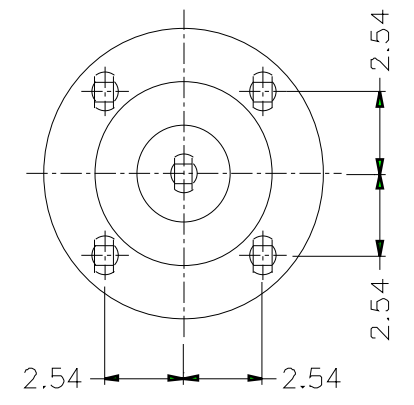
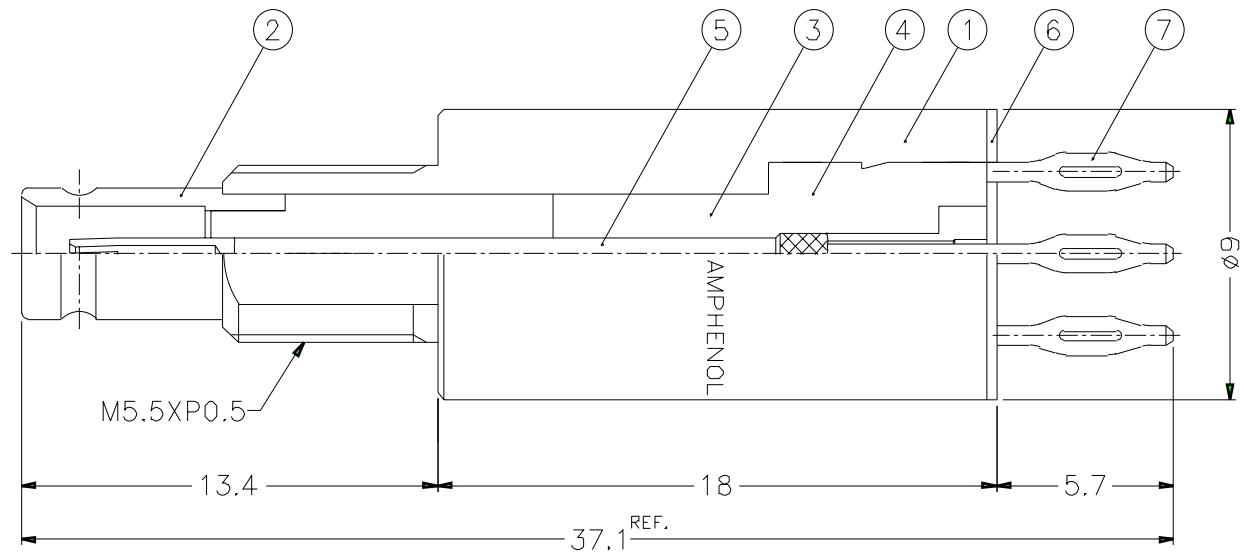
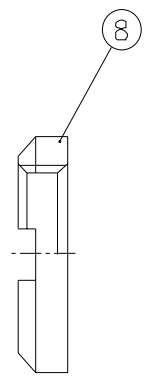
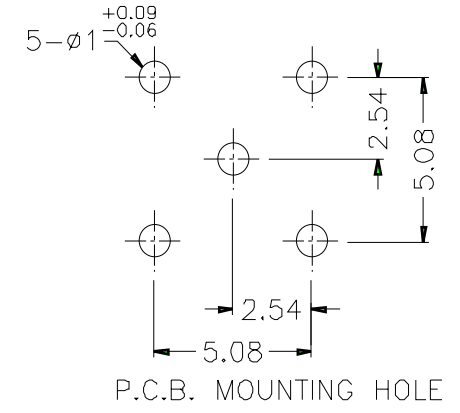
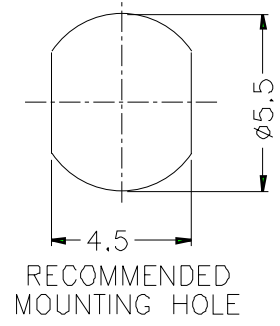


1 2 3 4 5 6 7 8

ISS		ZONE		REVISIONS		
				DESCRIPTION	PER REQUEST	DATE



PANEL THICKNESS: 3^{MAX.}

WITHDRAWAL FORCE ≥ 90 N
 INSERTION FORCE ≤ 540 N

NO	DESCRIPTION	MATERIAL	FINISH	Q'TY	DRAWING NO.
8	NUT	BRASS	NICKEL	1	
7	LEG	BRONZE	TIN-LEAD	5	
6	ISOLATING WATER	MYLAR	WHITE	1	
5	CONTACT PIN	BECU	GOLD	1	
4	INSULATOR	PTFE	NATURAL	1	
3	INSULATOR	PTFE	NATURAL	1	
2	BODY	BRASS	GOLD	1	
1	BODY	BRASS	NICKEL	1	

DIMENSIONS ARE IN MILLIMETERS

PART NO.		1236251PF-ES3	
APPROVED	DATE	12-16-00'	
CHECKED	DATE	12-16-00'	
DRAWN	DATE	12-16-00'	
SCALE		4/1	ISSUE 1

Amphenol RF	
TITLE	
1.0/2.3 PRESS-FIT P.C.B. RECEPT. JACK	
DRAWING NO.	
3D-811-03-A02	
FILE NO.	
F:\DWG\ASF\102\811\03\A02	

1 2 3 4 5 6 7 8