

SMP-J-B-GF-ST-1450



SMP-PF-P-GF-ST-EM3



SMP-PF-P-HG-ST-TH2



**SMP SERIES**

# 50Ω SMP PLUGS & ADAPTER

**SPECIFICATIONS**

For complete specifications and recommended PCB layouts see [www.samtec.com?SMP](http://www.samtec.com?SMP)

- Shell Material:**  
 Au plated Brass (-TH2, -EM3)  
 Au plated BeCu (-J-B)
- Contact Material:**  
 BeCu
- Insulator Material:**  
 PTFE
- Impedance:** 50Ω
- Frequency Range:**  
 DC to 40 GHz
- V.S.W.R.:**  
 1.15: 1 max to 26.5 GHz,  
 1.5: 1 max to 40 GHz
- Working Voltage:**  
 500 Vrms min
- Dielectric Withstanding:**  
 500 Vrms min
- Contact Resistance:**  
 Center Contact: 6mΩ max  
 Outer Contact: 2mΩ max
- Insulator Resistance:**  
 5000 MΩ min
- Engagement Force:**  
 -PF: 15 lbs. max  
 -PL: 10 lbs. max  
 -PS & -PC: 2 lbs. max
- Disengagement Force:**  
 -PF: 2 lbs. min  
 -PL: 2 lbs. min  
 -PS & -PC: 0.5 lbs. min
- Operating Temperature:**  
 -65°C to +165°C
- RoHS Compliant:** Yes
- Processing:**  
 Lead-Free Solderable: Yes

**SMP GENDER TYPE PLATING ORIENTATION TERMINATION**

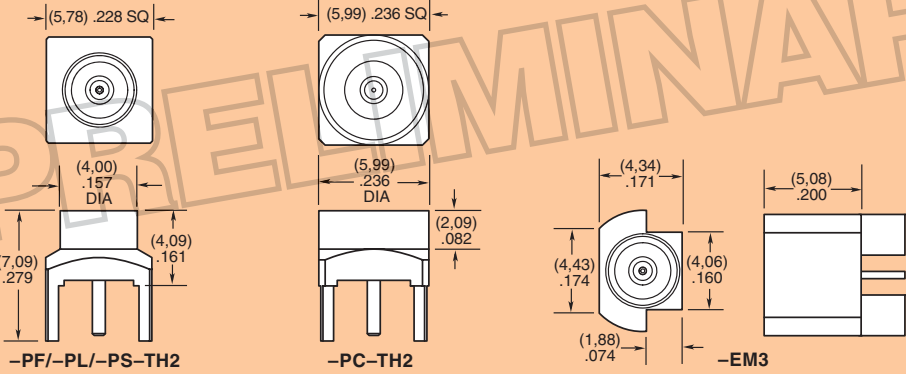
- PF**  
 = Plug, Full Detent
- PL**  
 = Plug, Limited Detent
- PS**  
 = Plug, Smooth Bore
- PC**  
 = Plug, Catcher's Mitt

- P**  
 = PCB Mount

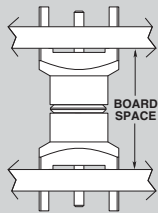
- HG**  
 = 30μ" (0,76μm)  
 Gold center contact, 10μ" (0,25μm) Gold outer contact
- GF**  
 = 10μ" (0,25μm)  
 Gold center contact, Gold Flash outer contact

- ST**  
 = Straight

- TH2**  
 = Through-hole
- EM3**  
 = Drop-in Edge Mount (N/A with -PC)



**APPLICATION**



LENGTH	BOARD SPACE
-0645	(9,05) .356
-1450	(17,10) .673

**SMP GENDER TYPE PLATING ORIENTATION LENGTH**

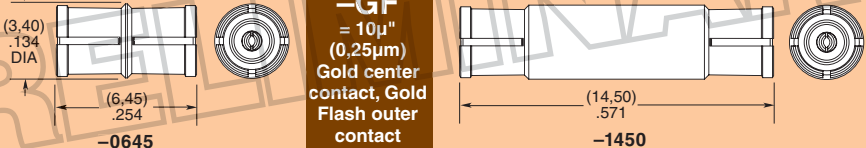
- J**  
 = Jack

- B**  
 = Bullet Adapter

- HG**  
 = 30μ" (0,76μm)  
 Gold center contact, 10μ" (0,25μm) Gold outer contact
- GF**  
 = 10μ" (0,25μm)  
 Gold center contact, Gold Flash outer contact

- ST**  
 = Straight

- 0645**  
 = 6,45mm (.254")
- 1450**  
 = 14,50mm (.571")



**APPLICATION SPECIFIC OPTION**

Other Lengths available. Call Samtec.

Due to technical progress, all designs, specifications and components are subject to change without notice.

[WWW.SAMTEC.COM](http://WWW.SAMTEC.COM)