

TS68483

ADVANCE INFORMATION

ADVANCED GRAPHIC AND ALPHANUMERIC CONTROLLER

The TS68483 is an advanced color graphic processor that drastically reduces the CPU software overhead for all graphic tasks in medium and high range graphic applications such as business and personal computer, industrial monitoring system and CAD systems.

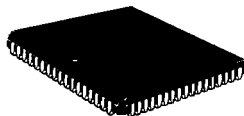
- Fully programmable timing generator.
- Alphanumeric and graphic drawing capability.
- Easy to use and powerful command set:
 - VECTOR, ARC, CIRCLE with dot or pen concept and programmable line style,
 - Flexible area fill command with tiling pattern,
 - Very fast block move operation,
 - Character drawing command, any size and fonts available.
- Large frame buffer addressing space (8 megabyte) up to 16 planes of 2048 x 2048.
- Up to 256 color capabilities.
- Mask bit planes for general clipping purpose.
- Frame buffer can be built with standard 64K or 256K DRAM or Dual-Port-Memories (Video-RAM).
- External Synchronization capability.
- On chip video shift registers for Dot rate less than 15 Megadots/s.
- 8 or 16-bit bus interface compatible with market standard microprocessors.
- HMOS 2 technology.
- 68 - pin PLCC package.

HMOS2

ADVANCED GRAPHIC AND ALPHANUMERIC CONTROLLER

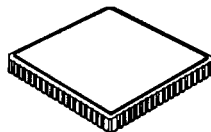
CASES

CB-523

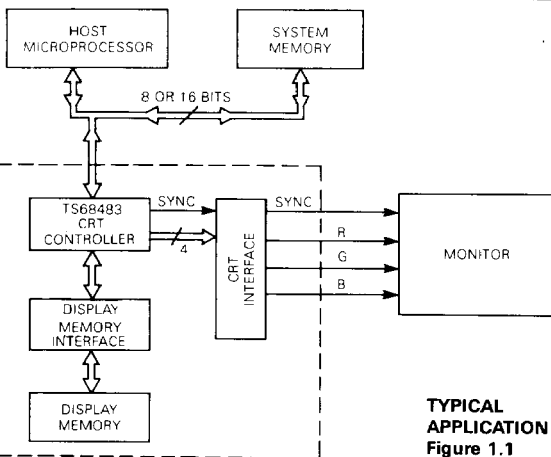


FN SUFFIX
PLCC 68

CB-710



E SUFFIX
LCCC 68



PIN ASSIGNMENT

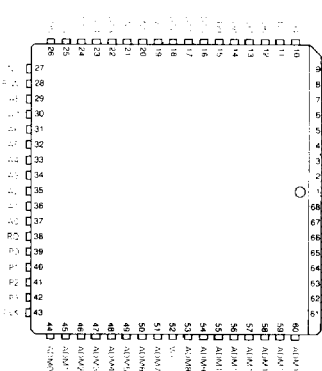


TABLE OF CONTENTS

Paragraph Number	Title	Page Number
Section 1		
General operation		
1.1	Introduction	1.1
1.2	Typical application	1.4
1.3	TS68483 functions	1.4
1.4	Data type definitions	1-5
Section 2		
Commands		
2.1	Introduction	2-1
2.2	Pointers and geometric arguments	2-1
2.2.1	Display memory address	2-2
2.2.2	Destination pointer	2-2
2.2.3	Source pointer	2-2
2.2.4	Notes	2-4
2.3	Destination mask and source mask	2-4
2.3.1	Destination mask use	2-4
2.3.2	Source mask use	2-4
2.4	Drawing, attributes	2-5
2.4.1	Colors	2-5
2.4.2	Drawing mode	2-5
2.4.3	Monochrome mode	2-5
2.4.4	Bichrome mode	2-5
2.4.5	Polychrome mode	2-7
2.4.6	The linear drawing command case	2-7
2.4.7	Scaling factor and cell mapping	2-8
2.5	Command set overview	2-9
2.5.1	Linear drawing	2-9
2.5.2	Area drawing	2-9
2.5.3	Print cell commands	2-9
2.5.4	Access commands	2-9
2.5.5	Command execution	2-10
2.5.6	Status register	2-10
Section 3		
Microprocessor interface		
3.1	Introduction	3-1
3.2	Hardware recommendations	3-2
3.3	Software recommendations	3-2
Section 4		
The video timing generator		
RAM refresh and display process		
4.1	Introduction	4-1
4.2	Scan parameters	4-1
4.2.1	Timing units	4-1
4.2.2	Blanking interval	4-1
4.2.3	Porch and margin color	4-1
4.2.4	Memory time sharing	4-1
4.2.5	Command access ratio	4-3
4.3	Display process	4-3
4.3.1	Y addresses	4-3
4.3.2	X addresses and MODX flags	4-3
4.3.3	The video RAM case	4-3
4.3.4	PAN and TILT	4-4
4.4	Dynamic RAM refresh	4-4
4.5	Configuration and external synchronization	4-4

Paragraph Number	Title	Page Number
Section 5		
Memory organization		
5.1	Introduction	5-1
5.2	Memory cycles	5-1
5.3	Display memory design overview	5-1
5.3.1	Frame buffer	5-2
5.3.2	Masking planes	5-4
5.3.3	Objects and characters	5-4
5.4	Examples	5-4
Section 6		
Timing diagram		
6.1	Microprocessor interface	6-1
6.2	Memory interface	6-4
6.3	Video interface	6-6
Section 7		
Annex		
7.1	Register map	7-1
7.2	Command table	7-2
Section 8		
Mechanical data and ordering information		
8.1	Package dimensions	8-1
8.2	Ordering information	8-2

This Page Intentionally Left Blank

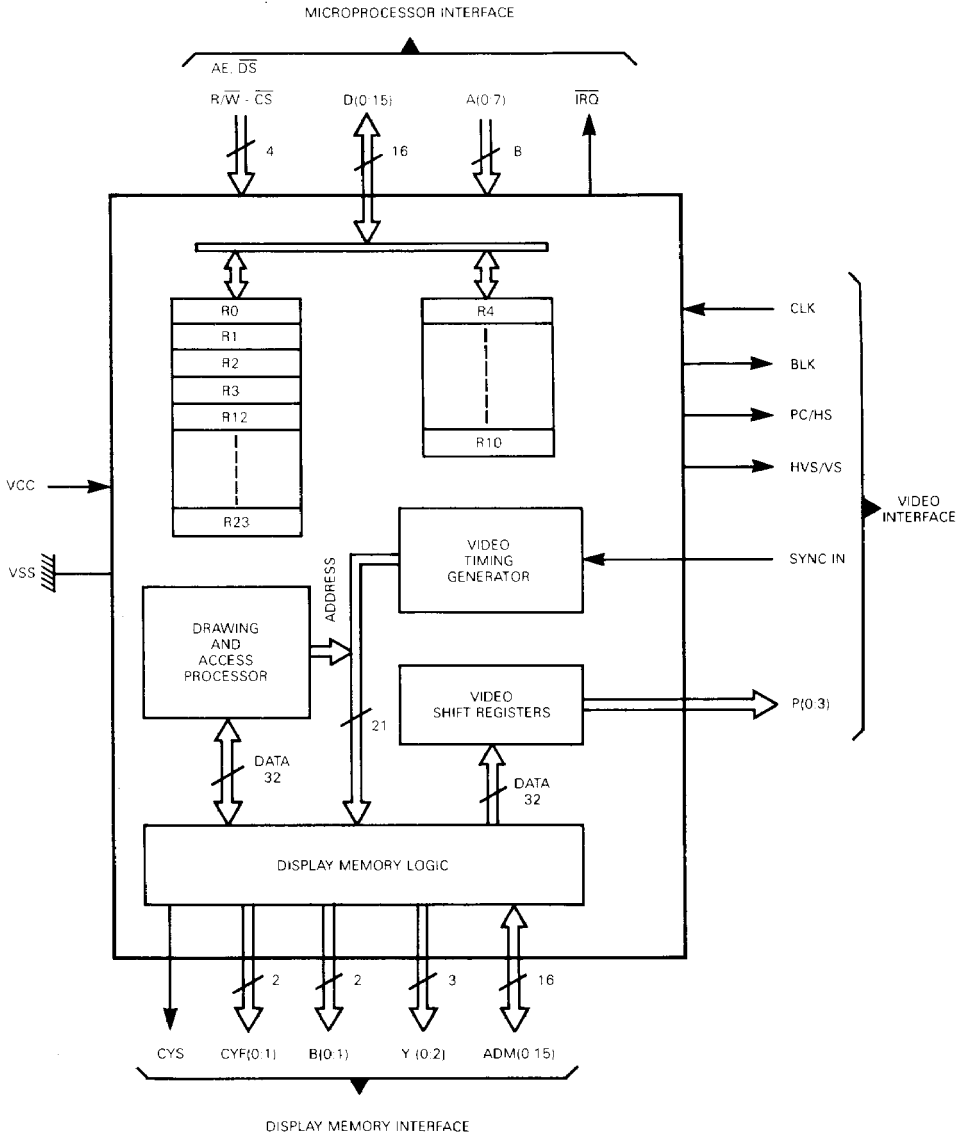
SECTION 1 GENERAL OPERATION

1.1 INTRODUCTION

THOMSON SEMICONDUCTEURS TS68483 is an advanced color graphics controller chip. It is directly compatible with most popular 8 or 16-bit microprocessors.

Its display memory, containing the frame buffer and the character generators, may be assembled from standard dynamic RAM components.

On-chip video shift registers and fully programmable Video Timing Generator allow the TS68483 to be used in a wide range of terminals or computer design.



TS68483 BLOCK DIAGRAM

TS68483 PIN DESCRIPTION

MICROPROCESSOR INTERFACE

Name	PIN Type	N°	Function	Description
D(0-15)	I/O	6-18 22-24	Data bus	These sixteen bidirectional pins provide communication with either an 8 or 16-bit host microprocessor data bus.
A(0-7)	I	37-30	Address bus	These eight pins select the internal register to be accessed. The address can be latched by AE for direct connection to address/data multiplexed microprocessor buses.
AE	I	29	Address Enable	When TS68483 is connected to a non-multiplexed microprocessor bus, this input must be wired to VCC. For direct connection to a multiplexed microprocessor bus, the falling edge of AE latches the address on A(0-7) pins and the CS input. With an Intel type microprocessor, AE is connected to the processor Address Latch Enable (ALE) signal.
DS	I	26	Data strobe	Active low - In non-multiplexed bus mode, \overline{DS} low enables the bidirectional data buffers and latches the A(0-7) lines on its high to low transition. Data to be written are latched on the rising edge of this signal. - In multiplexed bus mode, this signal low enables the output data buffers during a read cycle. With Intel microprocessors, this pin is connected to the RD signal.
R/W	I	28	Read/Write	- In non-multiplexed bus mode, this signal controls the direction of data flow through the bidirectional data buffers. - In multiplexed bus mode, this signal low enables the input data buffers. The entering data are latched on its rising edge. With Intel microprocessors, this pin is connected to the WR signal.
CS	I	25	Chip select	This input selects the TS68483 registers for the current bus cycle. A low level corresponds to an asserted chip select. In multiplexed mode, this input is strobed by AE.
IRQ	O	38	Interrupt Request	This active-low open drain output acts to interrupt the microprocessor.

MEMORY INTERFACE

Name	PIN Type	N°	Function	Description
ADM(0-15)	I/O	44-51 53-60	Address/Data Memory	These multiplexed pins act as address and data bus for display memory interface.
CYS	O	65	Memory Cycle Start	The falling edge of this output indicates the beginning of a memory cycle.
Y(0-2)	O	62-64	Memory Address	These outputs provide the least significant bits of the Y logical address.
B(0-1)	O	66-67	Bank number	These outputs provide the number of the memory bank to be accessed during the current memory cycle.
CYF(0-1)	O	68,1	Memory Cycle Status	These outputs indicate the nature of the current memory cycle (Read, Write, Refresh, Display).

VIDEO INTERFACE

Name	PIN Type	N°	Function	Description
P(0-3)	O	39-42	Video Shift Register Outputs	These four pins correspond to the outputs of the internal video shift registers.
PC/HS	O	5	Phase comparator/ Horizontal sync.	This output can be programmed to provide either the phase comparator output or the horizontal sync. signal.
HVS/VS	O	4	Composite or Vertical sync.	This output can be programmed to provide either the composite sync. signal or the vertical sync. signal.
SYNC IN	I	3	External Sync Input	This input receives an external composite sync. signal to synchronize TS68483. This input must be grounded if not used.
BLK	O	2	Blanking	This output provides the blanking interval information.

OTHER PINS

Name	PIN Type	N°	Function	Description
VCC	S	52	Power supply	+ 5 V supply
VSS	S	19	Ground	Ground
CLK	I	43	Clock	Clock input

1.2 TYPICAL APPLICATION BUILDING BLOCKS (See figure 1.1.)

In a typical application using TS68483, a host processor drives a display unit which drives in turn a color CRT monitor.

The display unit consists of four hardware building blocks:

- an TS68483 advanced graphics controller,
- a display memory (dynamic RAM),
- a display memory interface, comprising a few TTL parts,
- a CRT interface or CRT drivers.

For enhanced graphics, the CRT interface may include a color look-up table circuit such as EF9369. For high pixel rate (over 15 Mpixels/s), the CRT interface must include high speed video shift registers.

The display memory interface and organization are discussed in full details in the User's Manual.

1.3 TS68483 FUNCTIONS

All the TS68483 functions are under the control of the host microprocessor via 24 directly accessible 16-bit registers. These registers are referred to by their decimal index (R0 - R23). See figure 1.2.

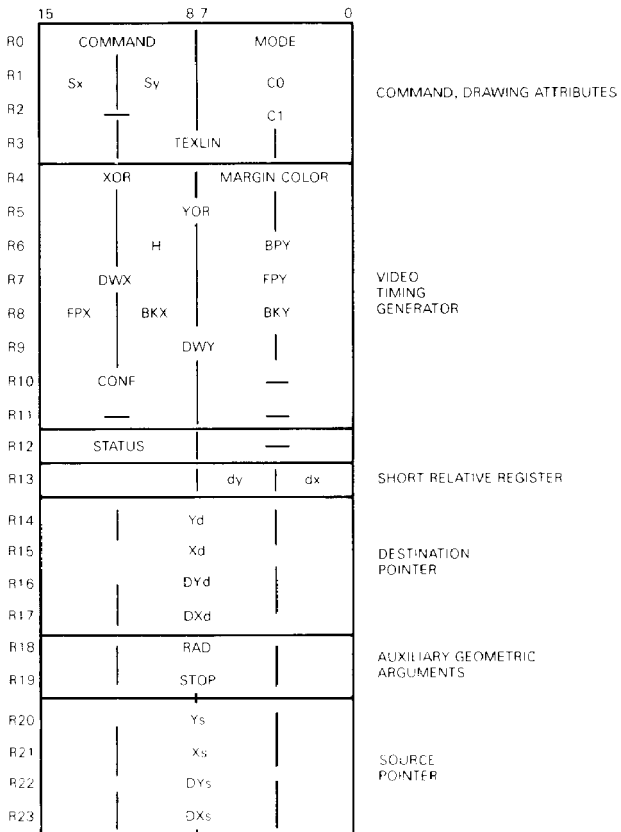


FIGURE 1.2. - REGISTER MAP

1. Video timing and display processor (R4 to R10)

The video timing generator is fully programmable: any popular horizontal scanning period from 20 μ s to 64 μ s may be freely combined with any number of lines per field (up to 1024). The address of the display viewport (this part of the display memory to be actually displayed on the screen) is fully programmable. The display processor provides the display dynamic RAM refresh (see video timing generator section for details).

2. Drawing and access commands (R0 to R3, R12 to R23)

The 16 remaining registers are used to specify a comprehensive set of commands. The highly orthogonal drawing command set allows the user to "draw" in the display memory such basic patterns as lines, arcs, polylines, polyarcs, rectangles and characters. Efficient procedures are available for either area filling and tiling or line drawing and texturing. Lines may be drawn with a PEN in order to get thick strokes. Any drawing is specified in a $2^{13} \times 2^{13}$ drawing coordinate system.

To access the display memory, the host microprocessor has an indirect, sequential access to any "window". Access commands can be used to load the character generators as well as to load or save arbitrary windows stored in the frame buffer.

1.4 DATA TYPE DEFINITIONS

PIXEL: this is the smallest color spot displayable on the CRT.

PEL: a Picture Element is the coding of a PIXEL in the display memory. The TS68483 can handle 4 different PEL formats:

- 4 color bits - short
- 4 color bits + 1 mask bit - short masked
- 8 color bits - long
- 8 color bits + 1 mask bit - long masked

DRAWING COORDINATES: (See figure 1.3.)

The drawing commands are specified and computed in a $2^{13} \times 2^{13}$ cyclical coordinate system. The drawing coordinates are clipped and mapped into the $2^{11} \times 2^{11}$ display memory addressing space. Further clipping to the actual frame buffer size may be performed by the user designed memory interface.

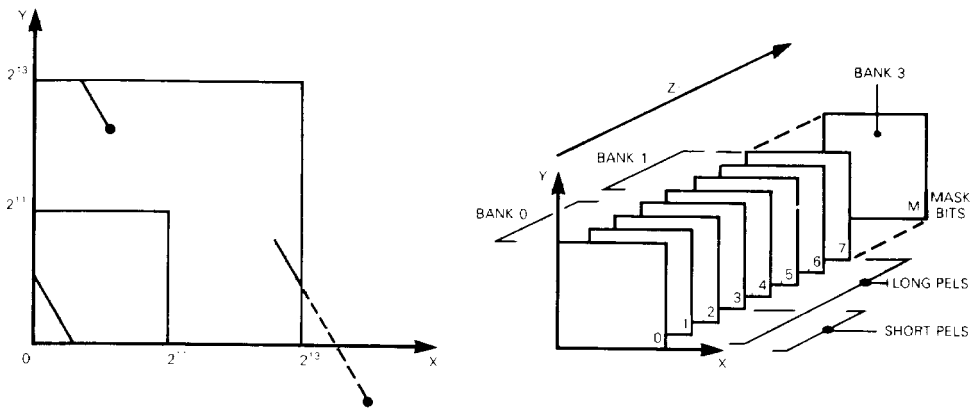


FIGURE 1.3. - CYCLICAL DRAWING COORDINATES TO DISPLAY MEMORY MAPPING

DISPLAY MEMORY:

This is the private memory dedicated to the display unit. This memory is addressed as four banks of 4-bit plane each

BIT PLANE:

Each bit plane has a maximum capacity of $2^{11} \times 2^{11}$ bits. A byte wide organization of each bit plane is required.

MEMORY ADDRESS: (See figure 1.4.)

In order to address one bit in the display memory, the user must specify:

- A bank number (2 bits) B = 0 to 3
- A bit plane number (2 bits) Z = 0 to 3
- A Y address (11 bits) Y = 0 to 2047
- An X address (11 bits) X = 0 to 2047

MEMORY WORD: (See figure 1.4.)

A 32-bit memory word can be either read or written during each memory cycle (8 CLK periods), one byte at a time in each bit plane in the addressed bank. The memory bandwidth is in the 6 to 8 Mbytes/s range.

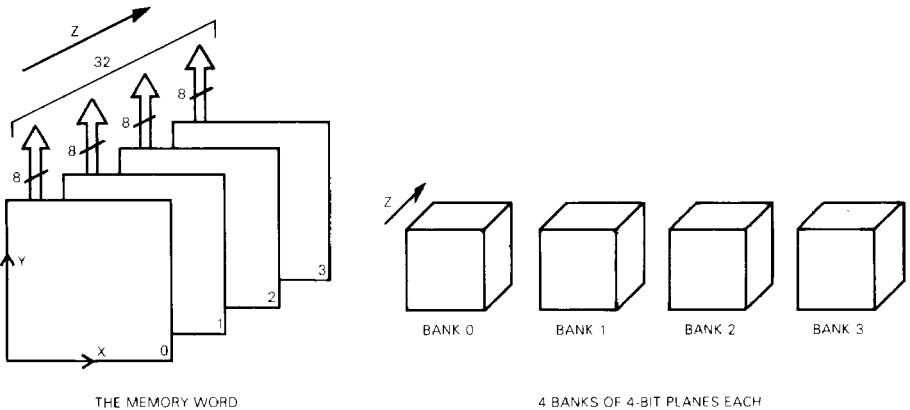


FIGURE 1.4. - THE DISPLAY MEMORY ADDRESSING SPACE

VIEWPORT:

This is any rectangular array of pels located in the display memory.

FRAME BUFFER:

This is the biggest viewport which can be held in the display memory. The frame buffer maps a window at the origin of the drawing coordinates. A short pel frame buffer may be located in any bank. A long pel frame buffer must be located in the "bank 0, bank 1" pair.

DISPLAY VIEWPORT:

This is the viewport which is displayed on screen.

MASK BIT PLANE:

When masked pels are used, a mask bit plane must be associated to a frame buffer. Mask bit planes may be located in any plane of bank 3.

CELL:

A CELL is any pattern stored in the display memory as a rectangular array of bit mapped elements. The drawing of any CELL may be specified with a scaling factor.

CHARACTER:

This is a one bit per element CELL. It may be stored in any bit plane, then colored and drawn in a frame buffer by use of PRINT CHARACTER command.

OBJECT:

This is a one short pel per element CELL. It may be drawn or loaded in a frame buffer. A source mask bit may be associated to each element. An OBJECT may then be printed in another location by use of a PRINT OBJECT command.

PEN:

This is the pattern which is repeatedly drawn along the coordinates defined by either a LINE or an ARC command. The PEN may be a DOT (single pel), a CHARACTER or an OBJECT.

SECTION 2 COMMANDS

2.1. INTRODUCTION

The command set is strongly organized in five subset or command types.

DRAWING COMMANDS:

- LINEAR (line, arc)
- AREA (rectangle, trapezium, polygon, polyarc)
- PRINT CELL (print character, print object)

ACCESS COMMANDS

CONTROL COMMANDS (move cursor, abort)

The commands are parametered; this means that any command can be executed with options freely selected out of a given option set. This option set is common for any command of a given type. For example, any drawing command may be parametered for destination mask bit use.

COMMAND SET STRUCTURE

Command	Drawing mode	Type	Group
Line Arc	Up to the pen	Linear	Drawing
Rectangle Trapezium Polygon Polyarc	Monochrome	Area	
Print char Print object	Bichrome Polychrome	Cell	
Load viewport Save viewport Modify viewport	-	Access	
Move cursor Abort	-	Control	

FIGURE 2.1. - COMMAND SET STRUCTURE

The command code also defines the command type and its parameters. A command is completely defined when a value has been set for each of its arguments.

These arguments are:

- the geometric arguments given in the drawing coordinate system for every drawing command. They are automatically mapped into the destination frame buffer;
- the parametric values are the values required by the selected parameters;
- the attribute values are the other values required by a drawing command, colors or scaling factors for example;
- the display memory addresses.

The command code is specified in register R0. Before initiating a command execution, each argument must be specified in its dedicated register: - an Xd, Yd drawing coordinate pair for example, is always located in registers R14, R15.

The monitoring of a command execution is done by reading the status register R12 or using the \overline{IRQ} signal.

2.2. POINTERS AND GEOMETRIC ARGUMENTS

Pointers are used to specify main geometric arguments and display memory addresses

2.2.1. Display memory address

A bit in the display memory is addressed by:

- a bank number $B = 0$ to 3
- a plane number $Z = 0$ to 3
- an X address $X = 0$ to 2047
- a Y address $Y = 0$ to 2047

2.2.2. Destination pointer: registers R14 to R17

This pointer gives the coordinate (X_d, Y_d) and dimension (DX_d, DY_d) of either a line or a window in the drawing coordinate system. These drawing coordinates are easily mapped into a PEL DISPLAY MEMORY address. (X, Y) coordinates are clipped to 11 bits in order to get the X_d, Y_d destination pel addresses.

A bank number B_d must be explicitly provided to address a destination frame buffer. When long pels are used, B_d must be even.

When masked pels are used, the destination mask plane number Z_d (implicitly in bank 3) must also be provided.

2.2.3. Source pointer: registers R20 to R23

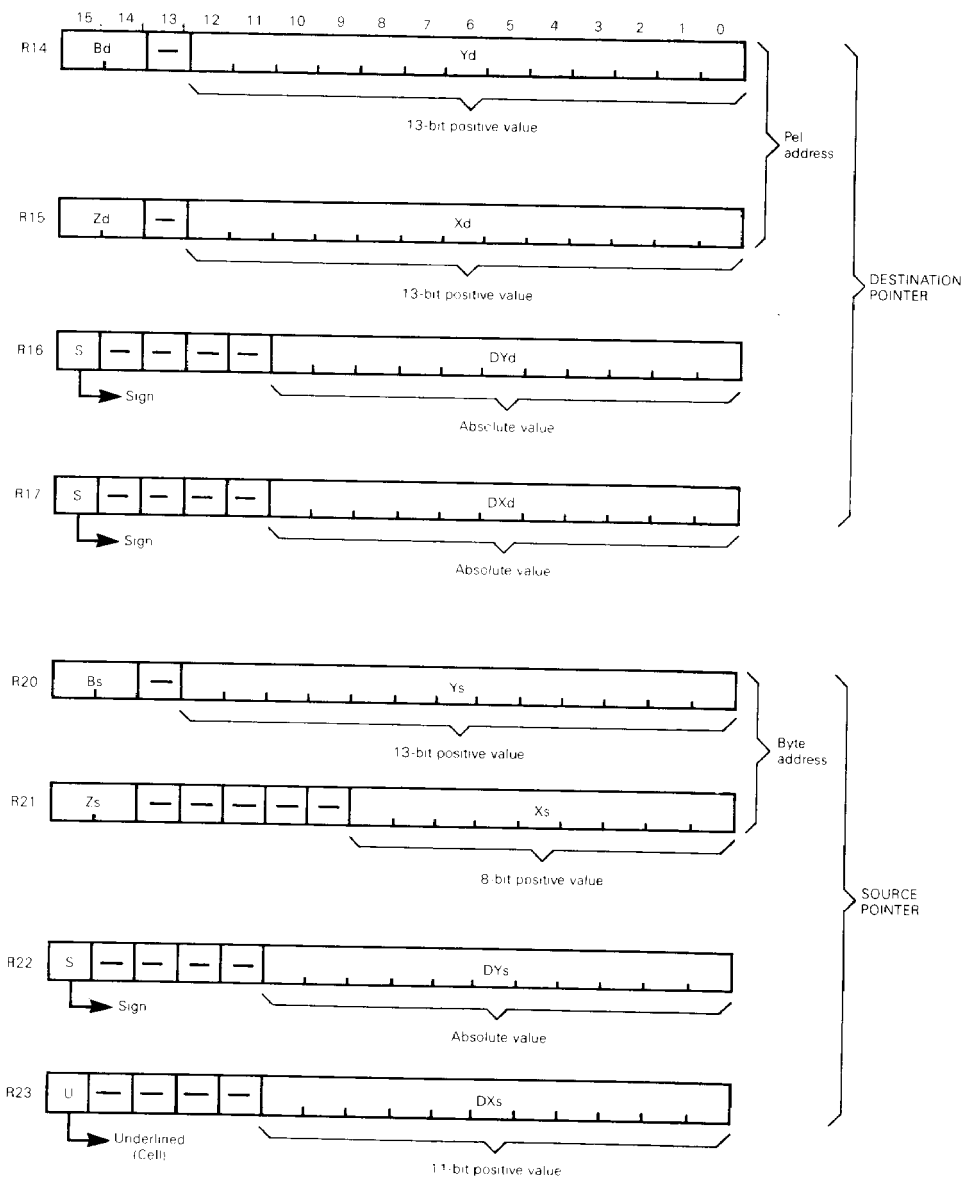
A source cell such as a character, a pen or an object, is addressed by the source pointer in the display memory.

A source pointer specifies:

- a bank number $B_s = 0$ to 3
- a Y_s address $Y_s = 0$ to 2047
- an X_s address; this address is a byte address so that the 3 LSBs are not specified $X_s = 0$ to 255
- a cell dimension DX_s, DY_s
- a bit plane address Z_s .

When a character is addressed, Z_s gives the plane number into the bank B_s . When an object is addressed Z_s gives the source mask plane number in the bank B_s .

FIGURE 2.2. - POINTERS



NOTE Sign value ● S = 0 positive
 ● S = 1 negative + absolute value

2.2.4. Notes

1. The TRAPEZIUM command makes a special use of R21. In this case, R21 holds an X1 drawing coordinate which has the same format as Xd.
2. The ARC and POLYARC commands require two extra geometric parameters (RAD and STOP). They are specified in the drawing coordinates system and stored in registers R18, R19.
3. Any drawing command may be parametered to use short incremental dimensions, DXY in register R13 instead of the standard DXd, DYd in the "R16, R17" register pair. (See figure 2.3).
4. The access commands use the destination pointer location as a data buffer. The memory addresses and dimension of the access viewport are then specified in the source pointer, independently of the data transfer.
5. DXd, DYd and DYs may specify a negative value. In this case, they must be coded by a sign (0 = positive, 1 = negative) and an 11-bit absolute value.

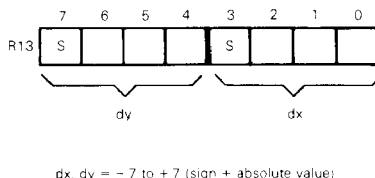


FIGURE 2.3. - SHORT DIMENSION REGISTER R13

2.3. DESTINATION MASK AND SOURCE MASK

A mask bit may be associated to any pel stored in the display memory.

2.3.1. Destination mask use (DMU)

Any drawing command may be parametered for destination mask use. In this case, any destination pel cannot be modified when its mask bit is reset.

In other words:

When the destination mask use (DMU) parameter is set:

- a pel may be modified when its mask bit is set
- a pel cannot be modified when its mask bit is reset.

When the destination mask use (DMU) parameter is cleared:

- a pel may be modified, independently of its mask bit value.

This provides a very flexible clipping mechanism not restricted to rectangular windows. (See destination pointer section for destination mask bit addressing).

2.3.2. Source mask use (SMU)

A PRINT OBJECT command may be parametered for source mask use. In this case, the source mask bit associated with any source pel is read first. When its mask bit is cleared, a source pel is considered as transparent. (See source pointer section for source mask bit addressing).

In other words:

When the SMU parameter is set, the color of a destination pel, mapped by a given source pel, may take this source color value only when this source bit mask is set. The destination pel keeps its own color value when the source bit mask is cleared.

When the SMU parameter is cleared, a source pel color may be mapped into destination pel color independently of the source bit mask value.

The source bit mask acts as a TRANSPARENCY/OPACITY flag which is enabled by SMU. A PRINT OBJECT command may be independently parametered by both SMU and DMU. This provides a very powerful tiling, print object or move mechanism.

2.4. DRAWING ATTRIBUTES

The general drawing attributes are the colors, the drawing mode, and the scaling factor.

2.4.1. Colors: registers R1 and R2 (See figure 2.4.)

Two 8-bit color values, C0 and C1, may be specified in registers R1 and R2. The low order 4-bit nibble of a color value is drawn in an even bank. The high order color nibble is drawn in an odd bank. When long pels are used, banks 0 and 1 are generally addressed as the frame buffer. When short pels are used, any bank may hold a frame buffer. In this case, the bank parity selects the color nibble used. (See destination pointer section for bank addressing).

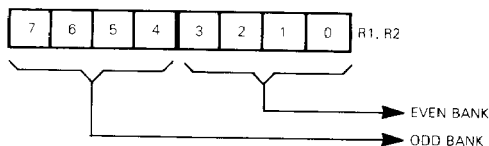


FIGURE 2.4. - COLOR REGISTER

2.4.2. Drawing mode: register R0

The drawing mode defines the transforms to be applied to the pels designated by the drawing commands. There are three drawing modes.

2.4.3. Monochrome mode

Any AREA drawing command, RECTANGLE for instance, defines through its geometric arguments an active set of destination pels, that is to say a set of pels to be modified.

When DMU = 1, this active set is further reduced by the masking mechanism to only these destination pels with a bit mask set.

The active destination pels are then modified according to two elementary transforms coded in R0.

COLOR TRANSFORM:

The color value C of each active pel is modified according to one color transform selected out of four:

- 00 - printed in C0: $C \leftarrow C0$
- 01 - printed in C1: $C \leftarrow C1$
- 10 - printed in "transparent": $C \leftarrow C$
- 11 - complemented: $C \leftarrow \bar{C}$.

This yields to a reversible marker mode.

MASK BIT TRANSFORM:

The destination mask bit of each active pel is modified according to one mask transform selected out of four:

- 00 - reset bit mask: $M \leftarrow 0$
- 01 - set bit mask: $M \leftarrow 1$
- 10 - no modification: $M \leftarrow M$
- 11 - complement bit mask: $M \leftarrow \bar{M}$.

This scheme allows the color bits and the mask bit of any pel belonging to the active set to be modified independently. The color transform is performed first.

2.4.4. Bichrome mode

A PRINT CHARACTER command is more complex because it involves two different active sets: FOREGROUND and BACKGROUND.

The FOREGROUND is that set of destination pels printed from set elements in the character cell. The BACKGROUND is made of all the remaining pels belonging to the destination window.

When DMU = 1, the FOREGROUND and BACKGROUND are further reduced by the destination masking mechanism. (See figure 2.6).

A bichrome drawing mode is defined by 4 elementary and independent transforms. (see figure 2.5)

- a color transform } For the FOREGROUND PELS
 - a mask transform }

- a color transform } For the BACKGROUND PELS
 - a mask transform }

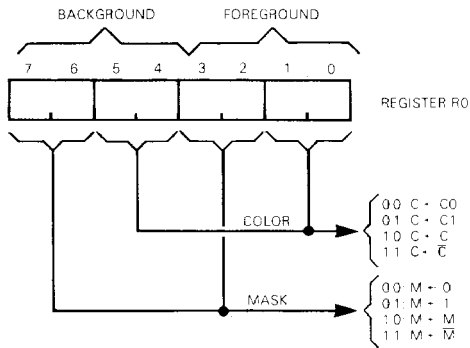


FIGURE 2.5. - DRAWING MODE REGISTER R0

BACKGROUND				FOREGROUND				
7	6	5	4	3	2	1	0	
								Monochrome
X	X	X	X	X	X	X	X	Bichrome
1	0	-	-	1	0	-	-	Polychrome

SUMMARY

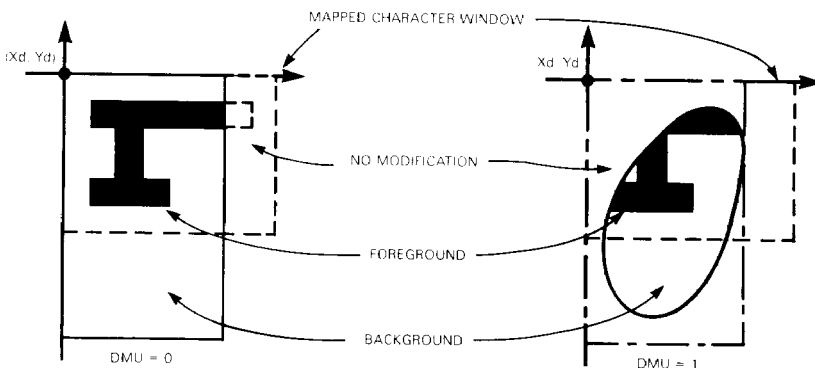
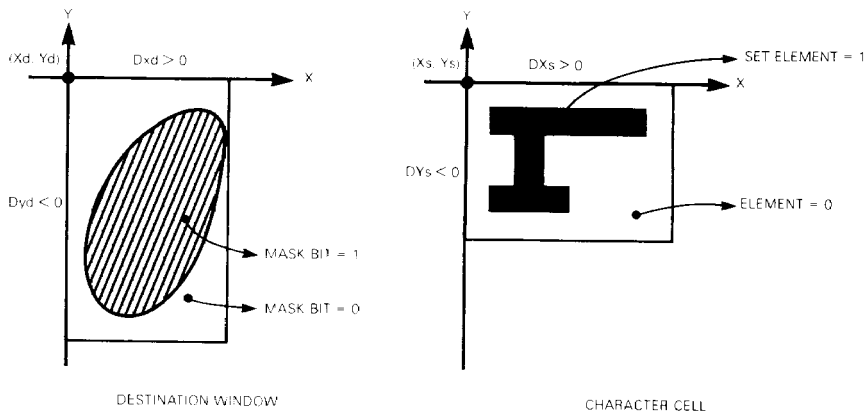


FIGURE 2.6. - PRINT CHARACTER COMMAND

2.4.5. Polychrome mode

A print object command defines a source window through the source pointer:

When $SMU = 0$, any pel of this window is active, mapped and clipped to the destination window dimension.

When $SMU = 1$, only pels which have a source mask bit set are active, mapped and clipped to the destination window dimension.

In both cases, when $DMU = 1$, the active source pels are further reduced by the destination masking mechanism.

Both mask transforms must be programmed at "NO MODIFICATION" for correct operations. (See figure 2.5).

2.4.6. The linear drawing command case

A LINE or ARC drawing command may be executed in any drawing mode depending on the PEN.

When the pen is a DOT, this pel is printed at each active coordinate according to monochrome mode.

When the pen is a CELL, this cell is printed at each active coordinate. In the bichrome mode when the cell is a character, and in the polychrome mode when the cell is an object.

For each active coordinates, the active destination set is defined by the cell dimensions (DXs, DYs).

NOTE: when the cell is an object, SMU is not programmable and is implicitly set. A calculated coordinate is active when the rotated LSB linear texture bit in (R3) is set.

2.4.7. Scaling factor and cell mapping: (See figure 2.7 et 2.8).

Any cell may be printed with a scaling factor.

This scaling factor is an integer pair $S_x, S_y = 1$ to 16.

This scaling factor is interpreted with the PRINT CHARACTER, PRINT OBJECT and LINEAR commands when the pen is a cell. The AREA or ACCESS or LINEAR (DOT) commands are never scaled.

The LINEAR (PEN) command should be used with a scaling factor of 1 because the pen is clipped at DXs, DYs.

The scaling factor is first applied to the source cell before mapping and drawing. The drawing and mapping is processed with sign bit of DYd and DYs values. (See figure 2.8).

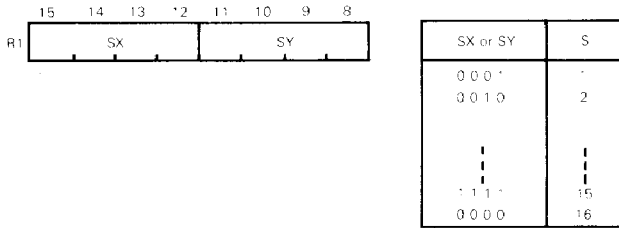


FIGURE 2.7. - SCALING FACTOR

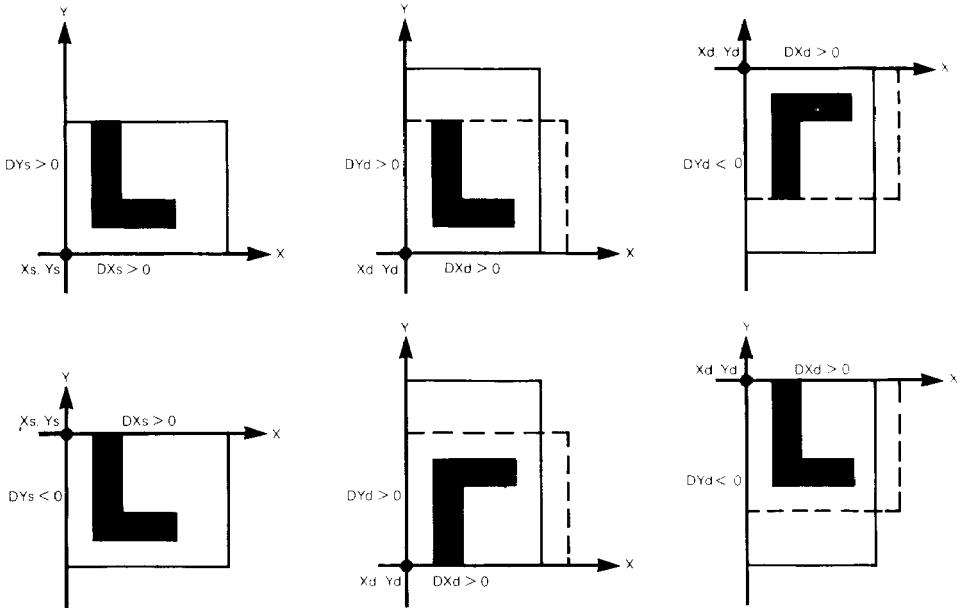
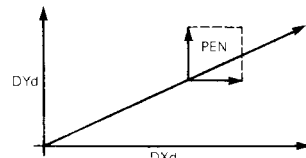


FIGURE 2.8 - CELL MAPPING VERSUS DYd, DYs SIGN

Note:

- DXs is always positive
- The DYs sign mirrors the cell
- DXd must be positive with a PRINT CELL command
- DXd and DYd may get any sign with a LINEAR DRAWING command. If a pen is used, these signs are then irrelevant to the pen drawing. The pen is mapped with positive increment values.



2.5. COMMAND SET OVERVIEW

2.5.1. Linear drawing

LINE (Xd, Yd, DXd, DYd), ARC (Xd, Yd, DXd, DYd, RAD, STOP).

The curve may be drawn with any pen and with any linear texture (register R3). For each set of computed coordinates, R3 is right rotated and the pen is printed when the shifted bit is set.

2.5.2. Area drawing

RECT (Xd, Yd, DXd, DYd)

TRAPEZIUM (Xd, Yd, DXd, DYd, X1)

POLYGON (Xd, Yd, DXd, DYd)

POLYARC (Xd, Yd, DXd, DYd, RAD, STOP)

Either RECT or TRAPEZIUM allows to draw directly all the pels inside the boundary.

Any other closed boundaries may be filled by a 3-step process:

1. The mask bits inside a boundary box must be reset by a RECT command.
2. A sequence of mixed POLYGON and POLYARC commands describing the closed boundary sets the mask bits of the pels inside this boundary.
3. This area may then be painted by a RECTANGLE command defined for a bounding box, with destination masking. It may also be tiled by use of a PRINT CELL command.

Note: the mask bit of any pel lying on the boundary itself is not guaranteed to be set by step 2.

2.5.3. Print cell commands

PRINT CELL (Xd, Yd, DXd, DYd; Xs, Ys, DXs, DYs)

The cell addressed by Xs, Ys, DXs, DYs is scaled then printed at location Xd, Yd and clipped at the dXd, dYd dimensions.

When dXd, dYd is much larger than DXs, DYs the command may be parametered for repeat drawing.

These commands may also be parametered for destination mask use.

Further more the PRINT OBJECT command may be parametered for source mask use.

These commands have a wide range of applications: text drawing, area tiling, print or move objects, scale and move viewports.

Note: an underlined cell is drawn when the MSB of R23 is set.

2.5.4. Access commands

- LOAD VIEWPORT (Xs, Ys, DXs, DYs)
- SAVE VIEWPORT (Xs, Ys, DXs, DYs)
- MODIFY VIEWPORT (Xs, Ys, DXs, DYs).

These commands provide sequential access to a viewport in a frame buffer from the microprocessor data base.

Data are transferred to/from the display memory, word sequentially.

The R14 to R17 registers are used as a two memory word FIFO (memory word is 8 short pels, i.e. 4 bytes).

The source pointer (R20 - R23) is used to address the viewport for all access commands.

When long pels are used, the command must be executed once more when the bank number in R20 has been updated.

2.5.5. Command execution

Each on-chip 16-bit register has four addresses. One address is used for plain read or write. The other addresses are used to initiate command execution automatically on completion of the register access.

This scheme allows the command code and its arguments to be loaded or modified in any order. An incremental line drawing command, for example, may be executed again and again with successive incremental dimensions and without need to reload the command code itself.

As soon as a command execution is started, the FREE bit is cleared in the STATUS register. This bit is automatically set when the execution is completed.

The commands are generally executed only during retrace intervals. However full time execution is possible when either the display is disabled or video RAM components are used.

2.5.6. Status register (See figure 2.9).

This register holds four read-only status bits:

- FREE: this status bit is set when no execution is pending
- VS: vertical synchronisation state
- SEM: this status bit is set when the FIFO memory word is inaccessible to the microprocessor during a viewport transfer
- NSEM: this status bit is set when the FIFO memory word is accessible to the microprocessor during a viewport transfer.

Each of these status bits is maskable. The masked status bits are NORred to the \overline{IRQ} output pin.

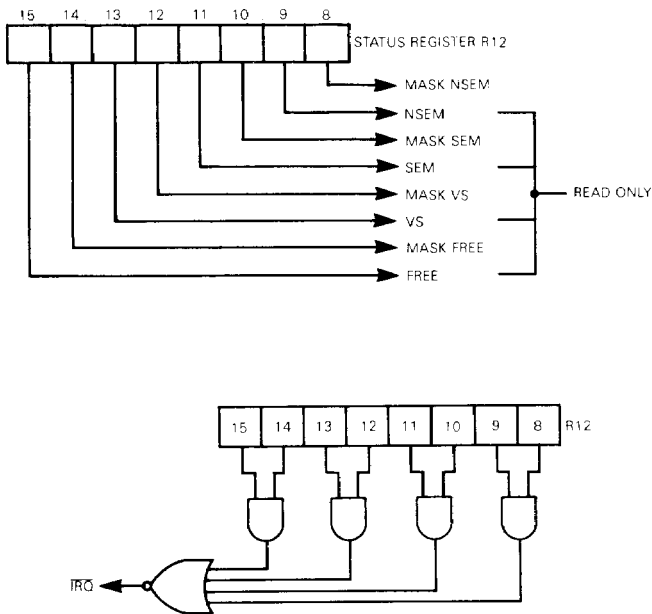


FIGURE 2.9. - STATUS REGISTER

SECTION 3 MICROPROCESSOR INTERFACE

3.1. INTRODUCTION

The TS68483 is directly compatible with any popular 8 or 16-bit host microprocessor; either Motorola type (6809, 68008, 68000) or Intel type (8088, 8086).

The host microprocessor has direct access to any of the twenty four 16-bit on-chip registers through the microprocessor interface pins:

- D(0:15): 16 bidirectional data pins.
- A(0:7): 8 address inputs.
- \overline{AE} , \overline{DS} , R/\overline{W} , \overline{CS} : 4 control inputs.

The twenty four registers are mapped in the host addressing space as 256 byte addresses. (See figure 3.2)

- A(1:5) select one out of 24 registers.
- A0 selects the low order byte (A0 = 1) or the high order byte (A0 = 0) of the selected register.
- A(6:7) provide the command execution condition.

The host microprocessor bus may be either 8 or 16-bits wide and may be address/data multiplexed or not.

The two flags MB and BW in the CONFIGURATION register R10 allow the data bus size and multiplexed/non-multiplexed organization to be specified. (See figure 3.1).

TYPE OF MPU BUS		CONF. REG.		TS68483 PINS					
		BW	MB	AE	\overline{DS}	R/ \overline{W}	AO	A(1:7)	D(8:15)
NON MUX	16-bit (68000)	0	0	1	\overline{DS} or \overline{CS}	R/ \overline{W}	0	A(1:7)	D(8:15)
	8-bit (68008)	1	0	1	\overline{DS}	R/ \overline{W}	AO	A(1:7)	D(0:7)
MUX	16-bit (8086)	0	1	ALE	\overline{RD}	\overline{WR}	0	AD(1:7)	AD(8:15)
	8-bit (8088)	1	1	ALE	\overline{RD}	\overline{WR}	\overline{ADO}	AD(1:7)	AD(0:7)

FIGURE 3.1. - MPU SELECTION

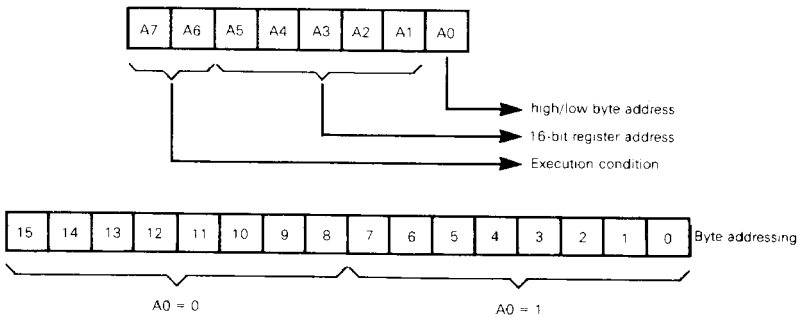


FIGURE 3.2. - ON-CHIP ADDRESS AND BYTE PACKING

3.2. HARDWARE RECOMMENDATIONS (See timing diagrams 1 and 2).

A0-PIN:

- When using a 16-bit data bus, the A0 input pin must be grounded. No single byte access can be performed.
- In order to conform with the high byte/low byte on-chip packing, the A0 input pin must be inverted when using an 8-bit bus Intel type microprocessor (8088 for example).

A(1:7), D(0:7), D(8:15) pins:

- With any 8-bit data bus, the D (0:7) and D (8:15) pins must be paired in order to demultiplex the low order data bytes and the high order data bytes.
- When using address/data multiplexed bus, the D (0:7) pins are paired with A (0:7) in order to demultiplex data from address.

 \overline{AE} , \overline{DS} , R/W, \overline{CS} :

See pin description.

3.3. SOFTWARE RECOMMENDATIONS

- The CONFIGURATION register R10 must be first initialized.

The BW 15 flag is interpreted by the bus interface to recognize an 8-bit/16-bit data bus.

The MB and BW 15 flags are used to decide when to initiate a command execution.

- Each register byte has 4 addresses in the microprocessor memory map. These 4 addresses differ only by A(6:7). This scheme allows a 68008 programmer to read or write any data type (byte, word, long word) and automatically initiate or not a command execution at the end of this transfer. The transfer lasts one, two or four bus cycles.

A 68000 programmer is restricted to only word and long word data types. (See figure 3.3)

ADDRESS		EXECUTION CONDITION	DATA TYPE TRANSFER	
A7	A6		8-bit data bus	16-bit data bus
0	0	No Exec	Any type	Any type
0	1	Exec after a bus cycle	1 byte	1 word
1	0	Exec after 2 bus cycles	1 word	1 long word
1	1	Exec after 4 bus cycles	1 long word*	ILLEGAL

NOTE: Word transfer must respect word boundary.
 Long word transfer must respect long word boundary.
 *Not available with 8088 MPU type.

FIGURE 3.3 - COMMAND EXECUTION CONDITION

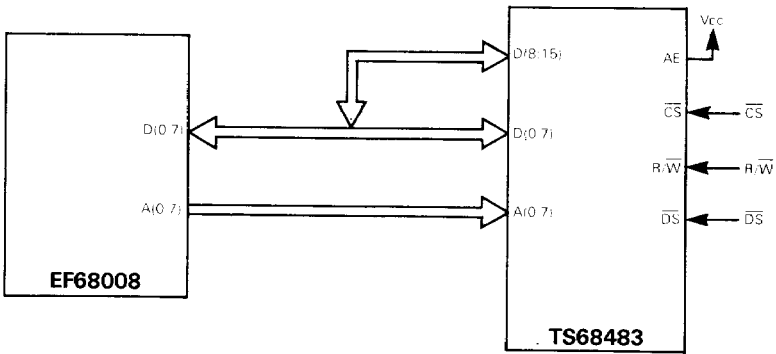
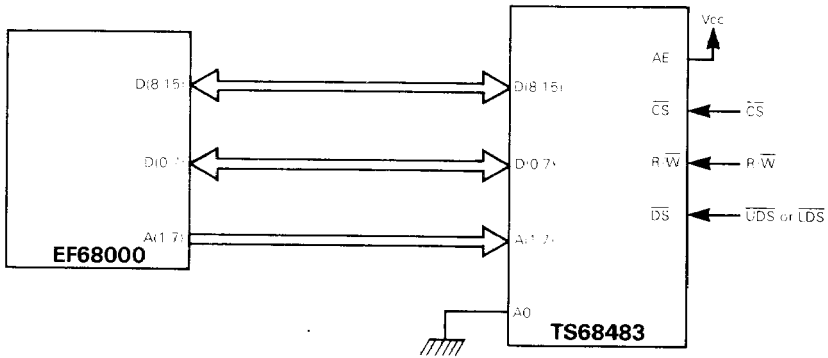


FIGURE 3.4 - INTERFACE WITH EF68000/68008 MPU

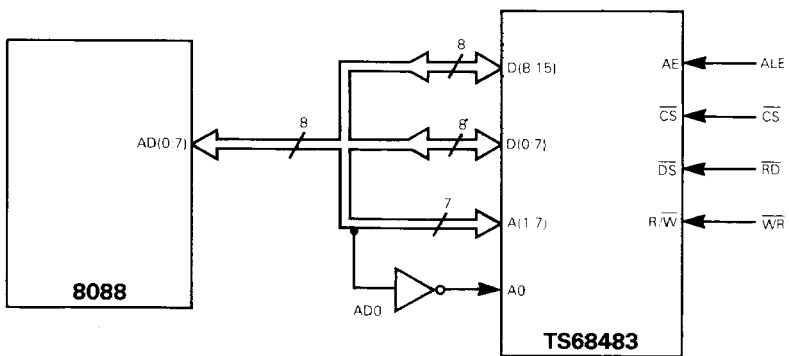
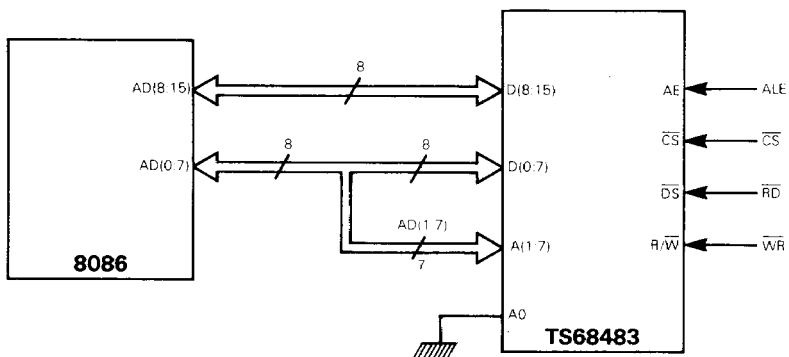


FIGURE 3.5. - INTERFACE WITH 8086/8088 MPU

SECTION 4

THE VIDEO TIMING GENERATOR

RAM REFRESH AND DISPLAY PROCESS

4.1. INTRODUCTION

The Video Timing Generator is completely synchronous with the CLK input, which provides a pixel shift frequency (12 to 15 MHz). The Video Timing Generator:

- delivers the blanking signal (BLK), the horizontal (HS) and vertical (VS) synchronization signals on respective output pins.
- schedules the memory time allocated to the display process, dynamic RAM refresh and command execution.
- is fully programmable
- can be synchronized with an external composite video sync signal connected to the SYNC IN input

4.2. SCAN PARAMETERS (See table 1 and timing diagram 5)

4.2.1. Timing units

The time unit of any vertical parameter is the scan line.

The time unit of any horizontal parameter is the memory cycle, which is 8 periods of the CLK input signal.

These two parameters are internally programmed:

- Horizontal sync pulse duration = 7 cycles
- Vertical sync pulse duration = 2.5 lines

4.2.2. Blanking interval

The blanking interval starts:

- at the leading edge of the vertical sync pulse. Vertical blanking interval actual duration is 2.5 lines more than the programmed value.
- two cycles before the leading edge of the horizontal sync pulse. The actual horizontal blanking interval duration is 3 cycles more than the programmed value.

NOTE: During the programmed blanking interval, the video output pins P{0:3} are forced low.

4.2.3. Porch and margin color

During the porch interval, the programmable margin color is displayed on the P{0:3} outputs.

The display process may be disabled by setting DPD flag. This will be interpreted as a porch extension.

4.2.4. Memory time sharing (See figure 4.1)

The Video Timing Generator allocates memory cycles to either the display process, RAM refresh or command execution. In this respect, the scan lines per field are split between:

- the DWY displayable lines.

When VRE = 0, Video RAMs are not used

The DWY x DWX cycles in the display interval are allocated to the display process when it is enabled (DPD = 0). When the display process is disabled, these cycles are allocated as for non displayable lines.

When VRE = 1, one cycle per display line is allocated to the display process. Other cycles are allocated as for non displayable lines. The last period of the BLKX signal may be used to load the internal video RAM shift register.

- the non displayable lines. In one out of nine non displayable lines, DWX cycles are allocated to the refresh process when it is enabled (RFD = 0).

- In Float cycle, an external X address must be provided. The Y address is still provided on ADM{0:7} and Y{0:2}, while ADM{8:15} are in high impedance state.

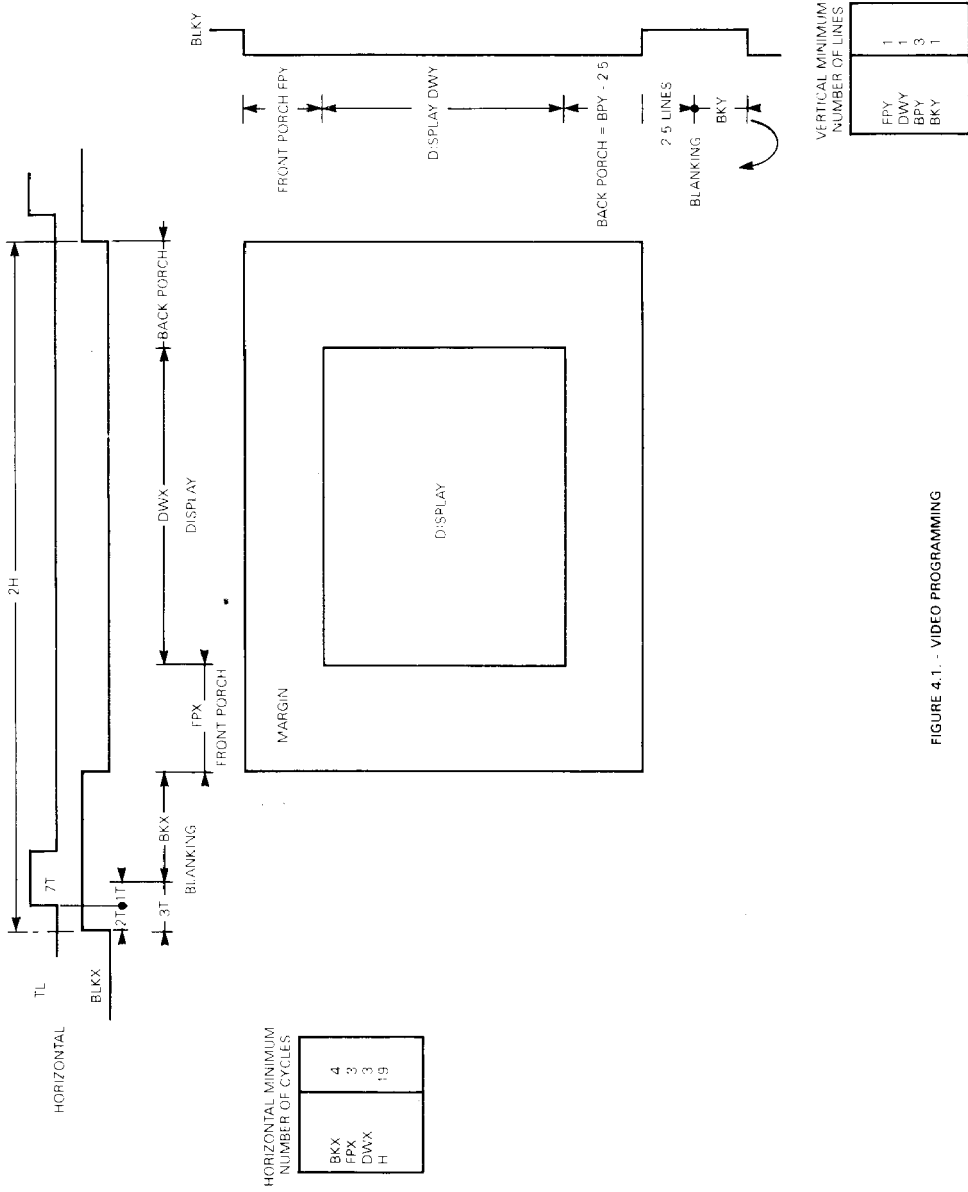


FIGURE 4.1. - VIDEO PROGRAMMING

4.2.5. Command access ratio

This allocation scheme leaves about 50% of the memory bandwidth for command access when programming a standard TV scan. This ratio drops to the 30% range when a better monitor is in use (32 μ s out of 43 μ s displayable per line, 360 lines out of 390 for a 60 Hz field rate). The higher resolution means more memory accesses in order to edit a given percentage of the screen area. In this case Video RAMs are very helpful to keep 90% of the memory bandwidth available for command access.

4.3. DISPLAY PROCESS

The Video Timing Generator allocates memory cycles to the Display Processor in order to read the Display Viewport from memory. The Display Viewport upper left corner address is programmable through DIB, YOR and XOR. The display viewport dimensions are related to the display interval of DWY lines by DWX cycles per field.

4.3.1. Y addresses

When INE = 0, the fields are not interlaced. The Y Display Viewport address is initialized with YOR at the first displayable line then decremented by 1 at each scan line. The Display Viewport is thus DWY pel high.

When INE = 1, the fields are interlaced. The Y Display Viewport address is initialized as shown in the table below. It is then decremented by two at each scan line. The viewport is thus 2 x DWY pel high

	EVEN FIELD	ODD FIELD
YOR EVEN	YOR	YOR + 1
YOR ODD	YOR - 1	YOR

Y Display Viewport address initialization when INE = 1.

4.3.2. X addresses and MODX flags

The X Display Viewport address is initialized with XOR at the first displayable cycle of each displayable line. It is then incremented at each subsequent cycle according to MODX flags.

MODX1	MODX0	X INCR	VIDEO SHIFT REGISTER	MEMORY CYCLE TYPE
0	0	+1	INTERNAL	READ
0	1	+1	EXTERNAL	DUMMY READ
1	0	+2	EXTERNAL	DUMMY READ
1	1	-	EXTERNAL	FLOAT

- In internal mode, the Display Viewport is 8. DWX pel wide. The on-chip video shift register are used
- In Dummy read, the memory is read but the on-chip video shift registers are not loaded, instead they retain their margin color. External video shift registers are presumed to be loaded by either 8 pels or 16 pels per cycle according to the programmed increment value.
- In Float cycle, an external X address must be provided. The Y address is still provided on ADM(0:7) and Y(0:2), while ADM(8:15) are in high impedance state.

NOTE: See Memory Organization and Memory Timing for further details on the memory cycles.

4.3.3. The Video RAM case (VRE = 1)

In this case, the last cycle of the horizontal blanking interval is systematically allocated to the display process for DWY scan lines per field.

This cycle bears the scan line address, the bank number and the X address which is always XOR.

MODX must be programmed to use external shift register (Dummy read).

4.3.4 PAN and TILT

The host can tilt or pan the Display Viewport through the frame buffer by modifying YOR or XOR arguments. Panning is performed on 8 pel boundaries.

4.4. DYNAMIC RAM REFRESH

No memory cycles are explicitly allocated to the RAM refresh when $RFD = 1$.

When $VRE = 0$ and $DPD = 0$, the Display Process is supposed to be able to over-refresh dynamic components. This can be done by careful logical to component address mapping. During the remaining non displayable lines, the Display Viewport address continues to be incremented. Y address on each line according to INE. X address initialized by XOR then incremented according to MODX. This Display viewport address is allowed to address the memory for DWX cycles in only one line out of nine for refresh purposes.

When $VRE = 1$ or $DPD = 1$, any line is processed as a non displayable line with respect to the refresh process.

4.5. CONFIGURATION AND EXTERNAL SYNCHRONIZATION

The R10 register holds eight configuration flags. Six of these flags are dedicated to the Video Timing Generator.

- SSP: this flag selects the synchronization output pin configuration:
- NPC, NHVS, NBLK: these three flags invert the PC/HS, HVS/VS and BLK outputs respectively. (Ex.: When $NBLK = 1$ blanking is active high).

The SYNC IN input pin provides an external composite synchronization signal input from which a Vertical Sync In (VSI) signal is extracted. The SYNC IN signal is sampled on-chip at CLK frequency. Its rising sampled edge is compared to the leading edge of HS. A PC comparison signal is externally available (see SSP and NPC flags).

VSIE: this flag enables VSI to reset the internal line count.

HSIE: this flag enables the rising edge of SYNC IN to act directly on the Video Timing Generator. When the leading edge of HS does not match at 1 clock period a rising edge of SYNC IN, one extended cycle is performed (nine clock periods instead of eight).

FLAG	OUTPUT PINS	
	PC/HS	HVS/VS
SSP = 1	HS	VS
SSP = 0	PC	HVS

NAME	NUMBER OF BITS	MINIMUM VALUES	REGISTER	DESCRIPTION	FUNCTION
DWY	10	1	R9	Number of display lines per field	Vertical scan
INE	1	-	R8	Interlace Enable when INE = 1	
BKY	5	1	R8	Number of lines in vertical blanking - 2.5	
FPY	5	1	R7	Number of lines in vertical front porch	
BPY	8	3	R6	Number of lines in vertical back porch + 2.5	
H	6	19	R6	Number of double cycles per line	Horizontal scan
FPX	4	3	R8	Number of cycles in horizontal front porch	
BKX	4	4	R8	Number of cycles in horizontal blanking - 3	
DWX	7	3	R7	Number of cycles of the display window	
XOR	8	-	R4	X, Y and bank logical address in the display memory of the display viewport upper left corner.	Display process
YOR	11	-	R5		
DIB	2	-	R4		
MODX	2	-	R9	Selection of the X addressing mode	
MC	4	-	R4	Margin color	
RFD	1	-	R7	RAM refresh disable when RFD = 1	Memory time sharing
DPD	1	-	R7	Display process disable when DPD = 1	
VRE	1	-	R8	Video RAM enable when VRE = 1	

NOTE: One cycle = 8 periods of CLK clock.

TABLE 1.

SECTION 5

MEMORY ORGANIZATION

5.1. INTRODUCTION

The display memory is logically organized as four banks of 4-bit planes. Thus a bit address in the display memory is given by the quadruplet:

- B = bank number, from 0 to 3
- Z = plane number, from 0 to 3
- X = bit address into the plane, from 0 to 2047
- Y = bit address into the plane, from 0 to 2047.

In one memory cycle (8 CLK periods), the controller can access a memory word. This 32-bit memory word holds one byte from each plane in a given bank. In order to address this memory word, the controller supplies:

- B(0:1): binary value of the bank number
- X(3:10): binary value of the word address
- Y(0:10): binary value of the word address

Z and X(0:2) are not supplied. They give only a bit address in a memory word.

5.2. MEMORY CYCLES

24 pins are dedicated to the memory interface.

- ADM(0:15): these 16 bidirectional pins are multiplexed three times during a memory cycle (see Timing Diagram 3):
 - TA: address period. Output of the X(3:11) and Y(3:11) address
 - T0: even data period. The even Z bytes are either input or output
 - T1: odd data period. The odd Z bytes are either input or output
- Y(0:2): three LSB Y address output pins (non-multiplexed)
- B(0:1): two bank address output pins (non-multiplexed)
- CYS: Cycle start strobe output (non-multiplexed).

CYS is at CLK/8 frequency. A CYS pulse is delivered only when a command, display or refresh cycle is performed

- CYF(0:1): Two cycle status outputs (non-multiplexed). Four cycle types are defined:
 - Command read
 - Command write
 - RAM refresh
 - Display access.

Because several options may be selected for RAM refresh and display access by the MODX and VRE flags (see Video Timing Section), there are more than four memory cycle types (see Timing Diagram 3 and Table 2).

5.3. DISPLAY MEMORY DESIGN OVERVIEW

The display memory implementation is application dependant. The basic parameters are:

- the number of pixels to be displayed $N_x N_y$
- the number of bits per pel
- the vertical scanning frequency, which must be picked in the 40 Hz to 80 Hz range (non interlaced) or in the 60 Hz to 80 Hz range (interlaced).

This yields a rough estimate of the pixel frequency. When the pixel frequency is in the 12 to 15 MHz range and 4 bits per pixel or least are required, the on-chip video registers and standard dynamic RAM components may be used. When higher pixel rates or up to 8 bits per pixel are required, the designer must provide external shift registers. Video RAM components may also be considered.

In either case, the user must design:

- A memory block. This is the hardware memory building block. It includes the video shift registers if on-chip VSR cannot be used. It implies a RAM component choice.

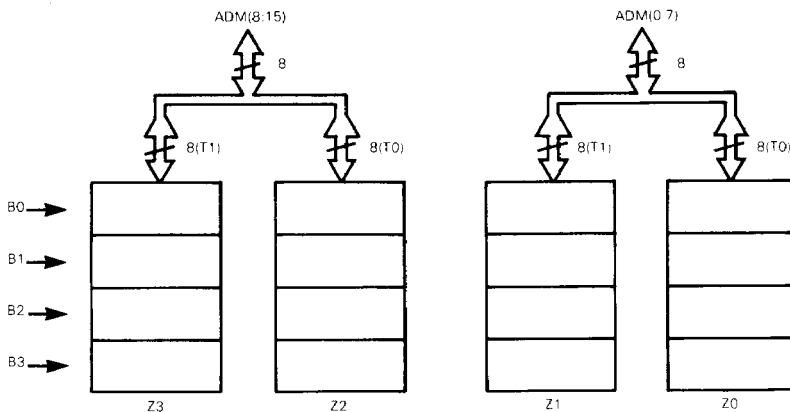
- An Address Mapper, which maps the logical address into hardware address: block selection, Row Address (RAD), Column Address (CAD).
- A memory cycle controller. This controller monitors the CYF and CYS output pins from TS68483 and block address from the Mapper; it provides:
 - The CLK signal to the TS68483 and a shift clock SCLK when external video shift registers are used
 - RAS, CAS, OE, R/W signals to the memory blocks
 - RAD and CAD Enable signals to the Mapper.

5.3.1. Frame buffer (See figure 5.1.)

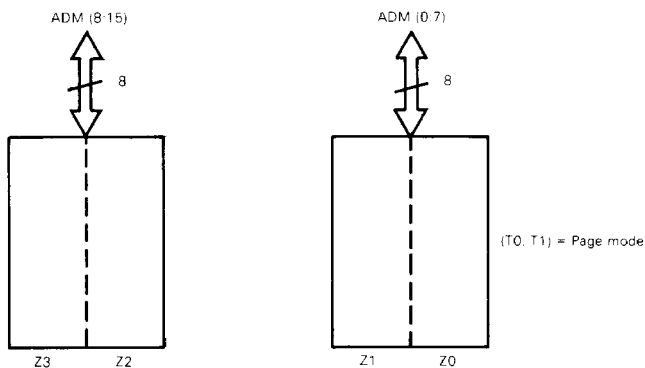
A byte wide organization of each bit plane is required. Obviously a bit plane must contain the Display Viewport size. A straight organization implements only one bit plane per block.

It may be cost effective to implement several bit planes per block. Two basic schemes may be used:

- One block, one Z: several bit planes, belonging to different banks, but addressed by the same Z, share a given block. There is little time constraint if any.
- One block, two Z: two bit planes, belonging to the same bank share a given block. In this case, this block must be accessed twice during a memory cycle. This can be solved by two successive page mode accesses.



ONE BLOCK-ONE Z



ONE BLOCK-TWO Z

TYPICAL BLOCK SIZE	16K x 8	32K x 8	64K x 8	256K x 8
ONE BLOCK-ONE BIT PLANE	512 x 256	512 x 512	1024 x 512	2048 x 1024
ONE BLOCK-TWO BIT PLANES	256 x 256	512 x 256	512 x 512	—

COMPONENTS
 64K BITS: 16K x 4 or 64K x 1
 256K BITS: 32K x 8, 64K x 4, 256K x 1
 VIDEO RAM: 64K x 1, 64K x 4

FIGURE 5.1. - FRAME BUFFER ORGANIZATION

OUTPUT PINS		FUNCTION	MODX FLAGS 1 0	MULTIPLEXED ADM			CYCLE TYPE
CYF1	CYF0			TA	T0	T1	
1	0	COMMAND READ	—	Y, X	Z0, Z2	Z1, Z3	READ
1	1	COMMAND WRITE	—	Y, X	Z0, Z2	Z1, Z3	WRITE
0	1	DISPLAY	0 0 0 1	Y, X Y, X	Z0, Z2 —	Z1, Z3 —	READ DUMMY READ + 1
0	0	REFRESH	1 0 1 1	Y, X Y, Hi-Z	—	—	DUMMY READ + 2 FLOAT X

Refresh: dummy read cycle is performed.

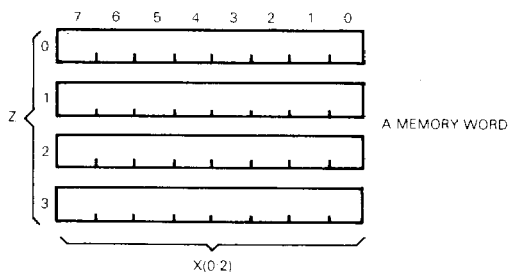


TABLE 2. - MEMORY CYCLE TYPES

ADMS MULTIPLEXED PINS	15	14	13	12	11	10	9	8	7	6	5	4	3	2	1	0		
TA: ADDRESS PERIOD	10			X			3			10			Y			3		
T0: EVEN Z BYTE PERIOD	7			Z = 2			0			7			Z = 0			0		
T1: ODD Z BYTE PERIOD	7			Z = 3			0			7			Z = 1			0		
	HIGHER BYTES								LOWER BYTES									

FIGURE 5.2. - THE MULTIPLEXING SCHEME

5.3.2. Masking planes

Masking planes are very useful for general purpose area filling or clipping. It may be practical to use one or two planes smaller than the color bit plane if they cyclically cover a frame buffer.

The masking planes must be in bank 3.

5.3.3. Objects and characters

Objects may be located in unused parts of the frame buffer.

Character generators can be implemented in any plane of any bank. They can also be implemented in ROM. In this case, plane $Z = 1$ or 3 offer relaxed access time requirements.

5.4. EXAMPLES

Figure 5.3. gives the schematic for a 512×384 non interlaced application. A CLK signal in the 13 to 15 MHz range should produce a 50 to 60 Hz refresh rate. The on-chip video shift registers may be used if no more than four bits per pixel are required. One $64K \times 8$ memory block may be implemented using either eight $64K \times 1$ or two $64K \times 4$ components. One memory block holds two 512×384 color bit planes.

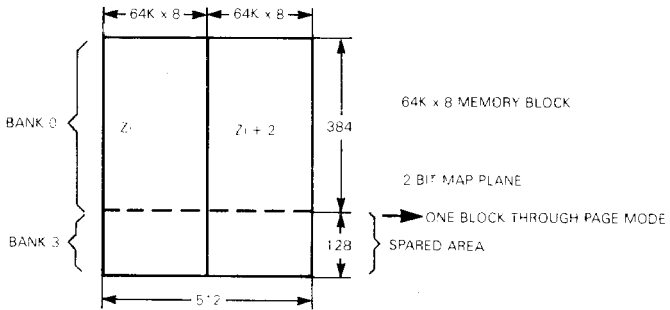
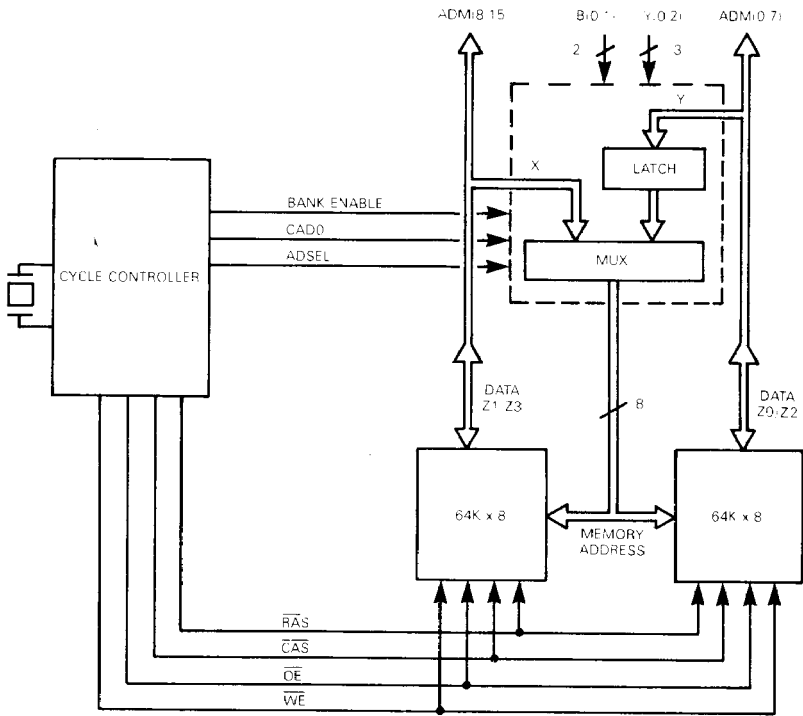


FIGURE 5.3. - MEMORY ORGANIZATION FOR 512 x 384 APPLICATION

SECTION 6

TIMING DIAGRAM

6.1. MICROPROCESSOR INTERFACE

TS68483 has an eight bit address bus and a sixteen bit data bus. Little external logic is needed to adapt bus control signals from most of the common multiplexed or non-multiplexed bus microprocessors.

Microprocessor interface timing: A(0:7), D(0:15), AE, \overline{DS} , \overline{CS} , R/ \overline{W}

$V_{CC} = 5.0 \text{ V} \pm 5\%$, $T_A = T_L$ to T_H , $C_L = 100 \text{ pF}$ on D(0:15)

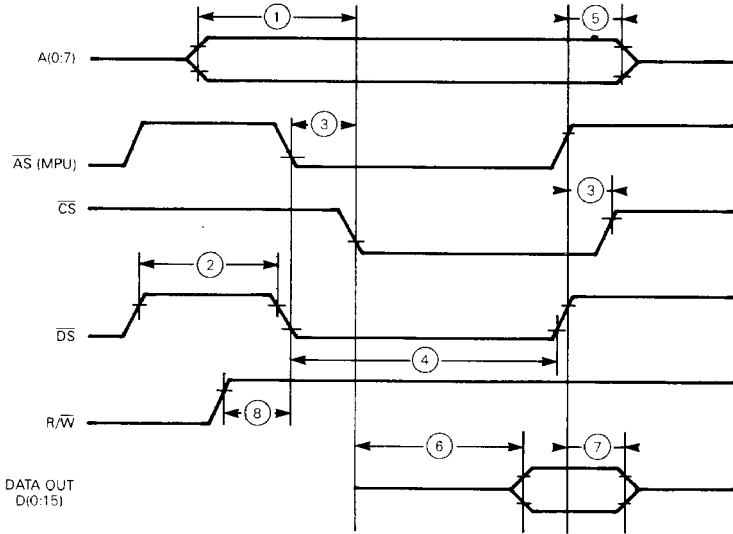
Reference levels: $V_{IL} = 0.8 \text{ V}$ and $V_{IH} = 2 \text{ V}$ on all inputs

$V_{OL} = 0.4 \text{ V}$ and $V_{OH} = 2.4 \text{ V}$ on all outputs

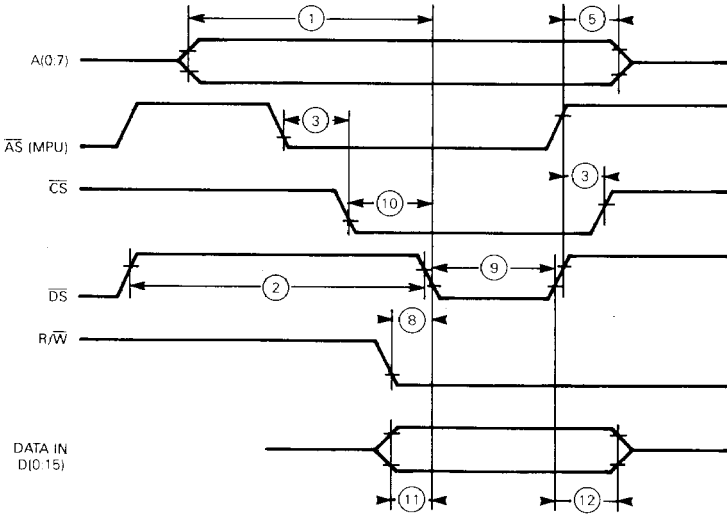
UNMUX MODE

Id. numb.	Characteristic	Min.	Max.	Unit
1	Address set up time from \overline{CS}	30	-	ns
2	Data strobe width (High)	150	-	ns
3	\overline{AS} set up time from \overline{CS}	0	-	ns
4	Data strobe width-low (Read cycle)	240	-	ns
5	Address hold time from \overline{DS}	0	-	ns
6	Data access time from \overline{CS} (Read cycle)	-	210	ns
7	\overline{DS} inactive to high impedance state (Read cycle)	10	100	ns
8	R/ \overline{W} set up time from \overline{DS}	20	-	ns
9	\overline{DS} width-low (Write cycle)	110	-	ns
10	\overline{CS} set up time from \overline{DS} active (Write cycle)	0	-	ns
11	Data in set up time from \overline{DS} active (Write cycle)	10	-	ns
12	Data in hold time from \overline{DS} inactive (Write cycle)	30	-	ns

UNMUX MODE



READ CYCLE



WRITE CYCLE

Microprocessor interface timing: A(0.7), D(0.15), AE, DS, \overline{CS} , R/ \overline{W}

$V_{CC} = 5.0 \text{ V} \pm 5\%$, $T_A = T_L$ to T_H , $C_L = 100 \text{ pF}$ on D(0.15)

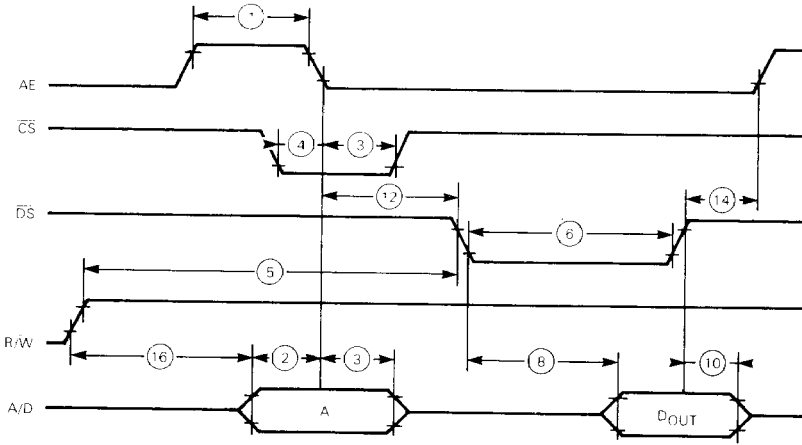
Reference levels: $V_{IL} = 0.8 \text{ V}$ and $V_{IH} = 2 \text{ V}$ on all inputs

$V_{OL} = 0.4 \text{ V}$ and $V_{OH} = 2.4 \text{ V}$ on all outputs

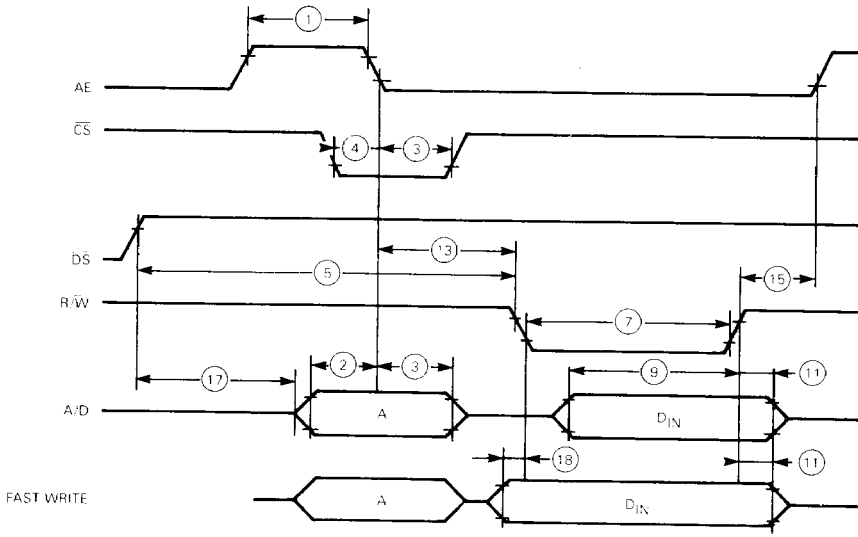
MUX MODE

Id. numb.	Characteristic	Min.	Max.	Unit
1.	AE width high	90	-	ns
2.	Address set up time to AE inactive	55	-	ns
3.	Address and \overline{CS} hold time to AE inactive	55	-	ns
4.	\overline{CS} set up time to AE inactive	40	-	ns
5.	DS and R/ \overline{W} high	150	-	ns
6.	\overline{DS} width low (Read)	240	-	ns
7.	R/ \overline{W} width-low (Write)	110	-	ns
8.	Data access time from \overline{DS} (Read)	-	210	ns
9.	Data in set up time from R/ \overline{W} inactive (Write)	150	-	ns
10.	DS inactive to high impedance state (Read)	10	100	ns
11.	Data in hold time from R/ \overline{W} inactive (Write)	30	-	ns
12.	AE inactive to DS active	20	-	ns
13.	AE inactive to R/ \overline{W} active	20	-	ns
14.	DS inactive to AE active	10	-	ns
15.	R/ \overline{W} inactive to AE active	10	-	ns
16.	R/ \overline{W} inactive to next address valid	100	-	ns
17.	\overline{DS} inactive to next address active	100	-	ns
18.	Data in set up time from R/ \overline{W} active (Fast write cycle)	10	-	ns

MUX MODE



READ CYCLE



WRITE CYCLE

6.2. MEMORY INTERFACE

ADM(0:15), B(0:1), CYF(0:1), Y(0:2), CYS

 $V_{CC} = 5.0\text{ V} \pm 5\%$, $T_A = T_L$ to T_H

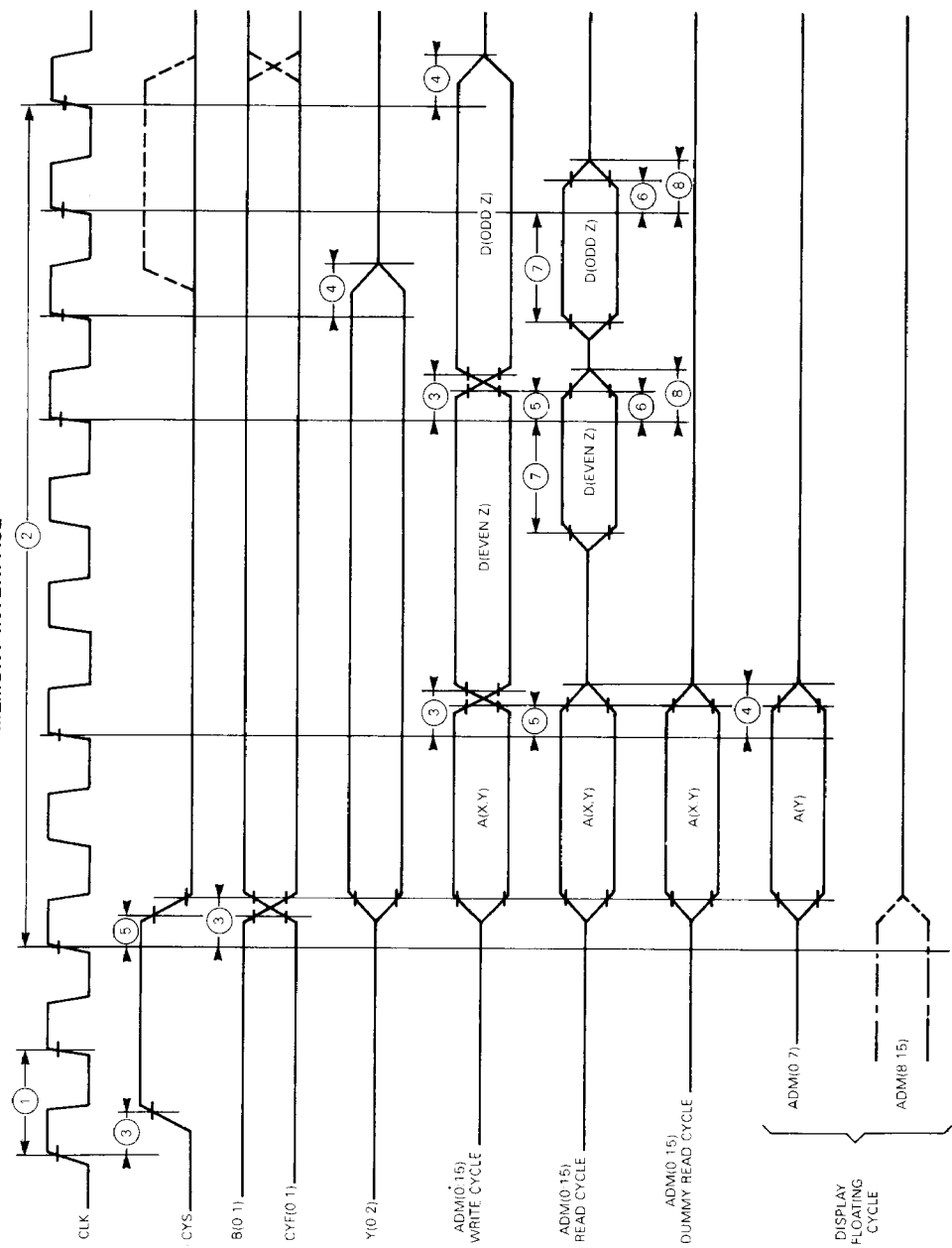
CLK duty cycle = 50%, period T

Reference levels: $V_{IL} = 0.8\text{ V}$ and $V_{IH} = 2\text{ V}$, $V_{OL} = 0.4\text{ V}$ and $V_{OH} = 2.4\text{ V}$

IDENT NUMBER	CHARACTERISTIC	MIN	MAX	UNIT
1	TCLK clock period	66	166	ns
2	Memory cycle time ($T = 8 \times TCLK$)	-	-	ns
3	Output delay time from CLK	-	40	ns
4	Output data HI-Z time from CLK	-	40	ns
5	Output hold time from CLK	10	-	ns
6	Input data hold time from CLK (read cycle)	20	-	ns
7	Input data set up time from CLK (read cycle)	30	-	ns
8	Input data HI-Z time from CLK	-	TCLK	ns

NOTE: All timing is referenced to the rising edge of CLK. [See timing diagram 3]

MEMORY INTERFACE



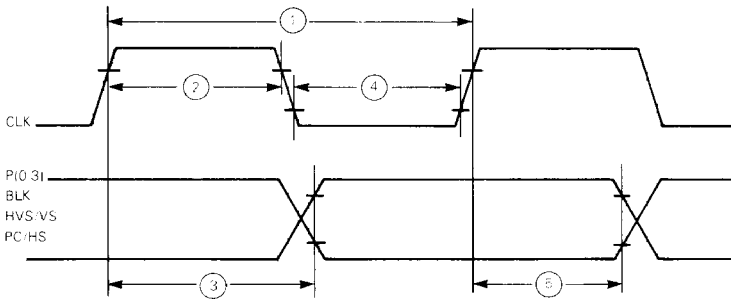
6.3. VIDEO INTERFACE

P0, P1, P2, P3, BLK, HVS/VS, PC/HS

$V_{CC} = 5.0 \text{ V} \pm 5\%$, $T_A = T_L$ to T_H , CLK duty cycle = 50%

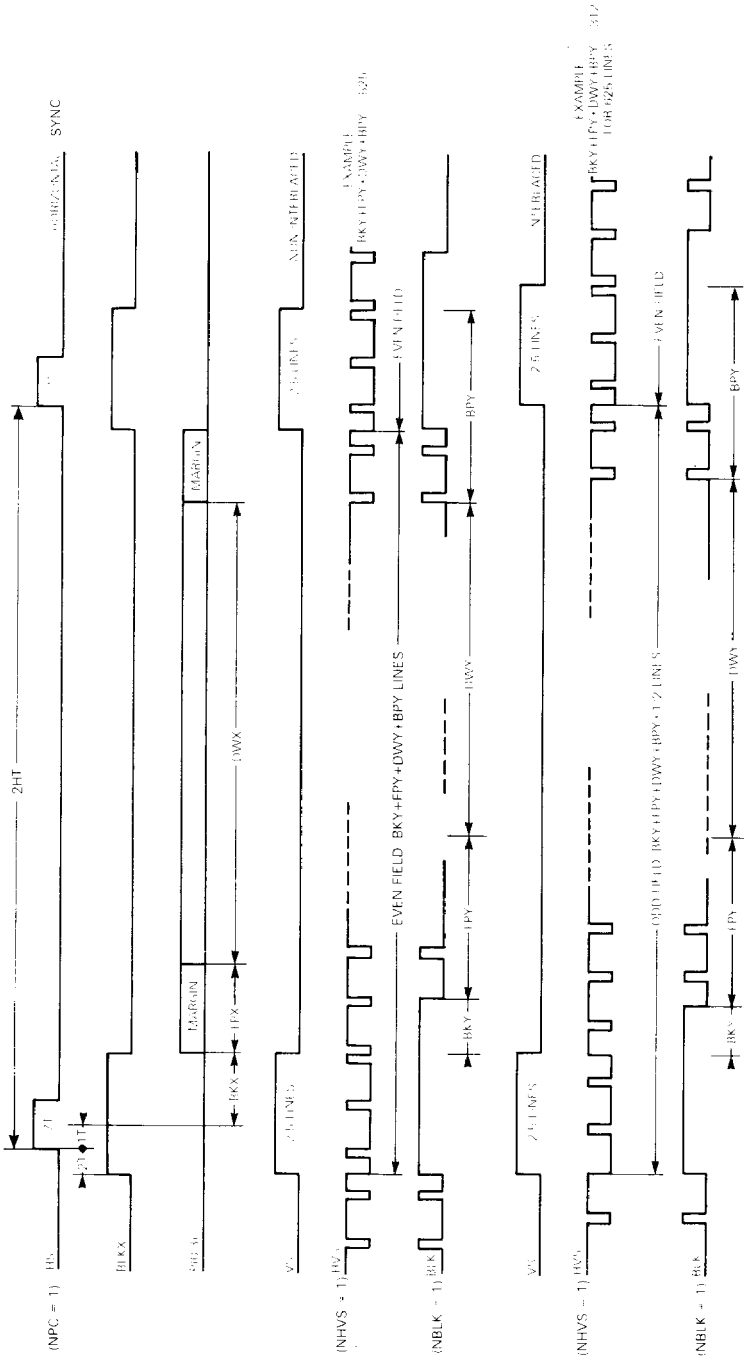
Reference levels: $V_{IL} = 0.8 \text{ V}$ and $V_{IH} = 2 \text{ V}$, $V_{OL} = 0.4 \text{ V}$ and $V_{OH} = 2.4 \text{ V}$, $C_L = 50 \text{ pF}$

TIMING DIAGRAM 4.



IDENT NUMBER	CHARACTERISTIC	MIN	TYP	MAX	UNIT
1	TCLK : CLK period	66	83	166	ns
2	CLK high pulse width	28	-	-	ns
3	Output delay from CLK rising edge	-	-	40	ns
4	CLK low pulse width	28	-	-	ns
5	Output hold time	10	-	-	ns

SYNCHRONIZATION SIGNAL OUTPUTS



6-8

MAXIMUM RATINGS

Stresses above those hereby listed may cause permanent damage to the device. The ratings are stress ones only and functional operation of the device at these or any conditions beyond those indicated in the operational sections of this specification is not implied. Exposure to maximum rating conditions for extended periods may affect device reliability. Standard MOS circuits handling procedure should be used to avoid possible damage to the device.

RATING	SYMBOL	VALUE	UNIT
Supply voltage	V_{CC}^*	-0.3 to 7.0	V
Input voltage	V_{in}^*	-0.3 to 7.0	V
Operating temperature range TS68483C TS68483V TS68483M	T_A	T_L to T_H 0 to 20 - 40 to + 85 - 55 to + 125	°C
Storage temperature range	T_{stg}	-55 to + 150	°C
Max power dissipation	P_{Dm}	1.5	W

* With respect to V_{SS}

ELECTRICAL CHARACTERISTICS

($V_{CC} = 5.0\text{ V} \pm 5\%$, $V_{SS} = 0$, $T_A = T_L$ to T_H) (unless otherwise specified)

CHARACTERISTIC	SYMBOL	MIN	TYP	MAX	UNIT
Supply voltage	V_{CC}	4.75	5	5.25	V
Input low voltage	V_{IL}	-0.3	-	0.8	V
Input high voltage	V_{IH}	2	-	V_{CC}	V
Input leakage current	I_{in}	-	-	10	μA
Output high voltage ($I_{load} = -500\ \mu\text{A}$)	V_{OH}	2.4	-	-	V
Output low voltage $I_{load} = 4\ \text{mA}$; ADM(0.15) $I_{load} = 1\ \text{mA}$; other outputs	V_{OL}	-	-	0.4	V
Power dissipation	P_D	-	800	-	mW
Input capacitance	C_{in}	-	-	15	pF
Three state (off state) input current	I_{Tst}	-	-	10	μA

SECTION 7
7.1. REGISTER MAP

	15	14	13	12	11	10	9	8	7	6	5	4	3	2	1	0		
R0	COMMAND								MODE									
R1	SX				SY				Odd bank		C0	Even bank						
R2									Odd bank		C1	Even bank						
R3	TEXLIN																	
R4	XOR							0		DIB1	DIB0	MARGIN COLOR						
R5							YOR											
R6				H					BPY									
R7			DWX					DPD	RFD		FPY							
R8	FPX				BKX				VRE	INE		BKY						
R9	0			MODX1				DWY										
R10	BW	MB	VSIE	HSIE	NBLK	NHVS	NPC	SYNC										
R11																		
R12	STATUS																	
R13									S	DY				S	DX			
R14	Bd		-										Yd					
R15	Zd		-										Xd					
R16	S	-		-		-		-								DYd		
R17	S	-		-		-		-								DXd		
R18	ACW														RAD			
R19	XY	QF1	QF0											STOP				
R20	Bs				.		.								Ys			
R21	Zs		.		-		-		-		-		-		Xs			
R22	S													DYs				
R23	U													DXs				

DEST. POINTER

SOURCE POINTER

* Don't care
- : Used or not, according to the command

7.2. COMMAND TABLE

TYPE	PARAMETERS							ARGUMENTS							POINTERS							END COMMAND		EXECUTION TIME				
	MNEM	7	6	5	4	3	2	1	0	R0	R1	R2	R3	R13	R18	R19	R14	R15	R16	R17	R20	R21	R22	R23	CURSOR POSITION	INIT	LOOP	Per
I	DOT LINE	DLI	0	0	0	0	DMU	SP	SRU	X	X	X	X	X	X	X	X	X	X	X	X	X	X	X	X	X	4T	DOT
N	PEN LINE	PLI	0	0	0	PEN	DMU	SP	SRU	X	X	X	X	X	X	X	X	X	X	X	X	X	X	X	X	5T	DOT	
C	DOT ARC	DAR	0	0	1	0	DMU	SP	SRU	X	X	X	X	X	X	X	X	X	X	X	X	X	X	X	X	5T	CELL	
A	PEN ARC	PAR	0	0	1	PEN	DMU	SP	SRU	X	X	X	X	X	X	X	X	X	X	X	X	X	X	X	X	15T	DOT	
R	RECTANGLE	REC	1	1	1	0	DMU	SP	SRU	X	X	X	X	X	X	X	X	X	X	X	X	X	X	X	X	15T	CELL	
A	TRAPEZIUM	TRA	0	1	0	1	DMU	SP	SRU	X	X	X	X	X	X	X	X	X	X	X	X	X	X	X	X	4T	AREA	
E	POLYGON	FLI	0	1	0	BEG	DMU	SP	SRU	X	X	X	X	X	X	X	X	X	X	X	X	X	X	X	X	4T	MEMORY WORD	
L	POLYARC	FLA	0	1	0	BEG	DMU	SP	SRU	X	X	X	X	X	X	X	X	X	X	X	X	X	X	X	X	15T	MEMORY WORD	
C	PRINT CHARACTER	PCA	1	0	1	1	REP	DMU	SP	SRU	X	X	X	X	X	X	X	X	X	X	X	X	X	X	X	4T	MEMORY WORD	
E	PRINT OBJECT	PVS	1	0	0	SMU	REP	DMU	1	SRU	X	X	X	X	X	X	X	X	X	X	X	X	X	X	X	4T	MEMORY WORD	
L	LOAD VIEWPORT	PVI	1	0	1	0	REP	DMU	1	SRU	X	X	X	X	X	X	X	X	X	X	X	X	X	X	X	5T	MEMORY WORD	
I	SAVE VIEWPORT	LDV	1	1	1	0	XFT	0	0	INC																5T	MEMORY WORD	
ACCESS	MODIFY VIEWPORT	SAV	1	1	1	0	XFT	0	1	INC																5T	MEMORY WORD	
C	UP DOWN MOVE	FMV	1	1	1	0	XFT	1	0	INC																2T	MEMORY WORD	
C	LEFT RIGHT MOVE	UDM	1	1	0	0	0	0	1	DWN	SRU															3T	MEMORY WORD	
C	DIAGONAL MOVE	LRM	1	1	0	1	LEF	0	0	SRU																3T	MEMORY WORD	
C	NO OPERATION	CDM	1	1	0	1	LEF	1	DWN	SRU																4T	MEMORY WORD	
C	ABORT	NOP	1	1	0	0	0	0	0	0																1T	MEMORY WORD	
C	ABORT	BRT	1	1	1	1	1	1	1	1																1T	MEMORY WORD	

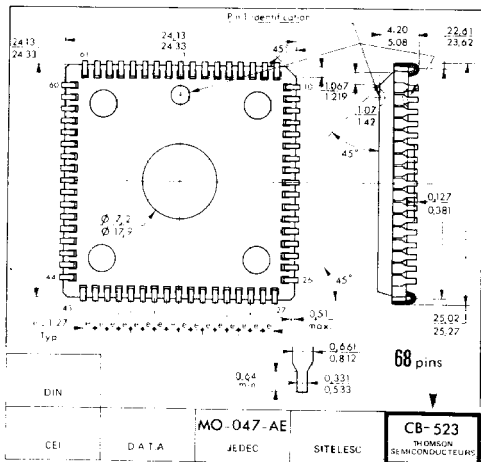
DMU = 1 Destination mask use
 SP = 1 Short pen/long pol when SP=0
 SRU = 1 Short relative register use (R13)
 PEN = 0 The pen is a single pol
 POL = 0 the pen is the character cell addressed by the source pointer
 POL = 1 the pen is the object associated with a source mask addressed by the source pointer
 Initiate a polygon or polyarc filling to the first one (if x: first polygon, then polyarc)
 The source pointer is not auto incremented
 XFT = 1 The source pointer is auto-incremented, X direction first
 XFT = 0 The source pointer is auto-incremented or auto-decremented, Y direction first
 REP = 1 When REP=0, only one cell is printed
 The source mask is used
 The cursor is moved down/up (if DWN = 0)
 The cursor is moved left/right (if LEF = 0)

NOTE: With PVF command, any pen with color different from 0 has its source mask implicitly set and used. In other words, pens with color value 0 are transparent.
 - DXd, DYd, and DYs are signed values
 - DXs is always positive
 - T = memory cycle = 8 CLK clock periods
 - For execution time, add to the short pen loop in the table
 - 1T if DMU = 1
 - 1T if SMU = 1
 - 2T if long pen are used
 - 2T if mask printing is required
 Command execution is performed only out of the display periods
 NOTE 1: for FLL and FLA commands, add 4T and 8T respectively per pol belonging to the boundary.

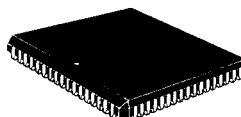
SECTION 8

MECHANICAL DATA AND ORDERING INFORMATION

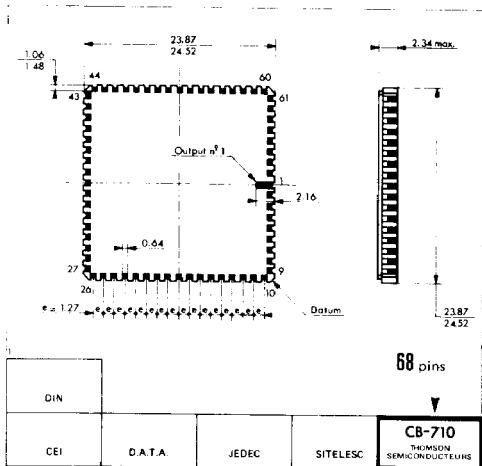
8.1. MECHANICAL DATA



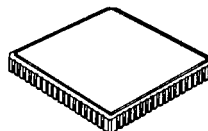
CB-523



**FN SUFFIX
PLCC68**



CB-710



**E SUFFIX
LCCC68**

8.2. ORDERING INFORMATION

PACKAGE TYPE	TEMPERATURE RANGE	PART NUMBER
PLCC FN Suffix	0° C to + 70° C	TS68483CFN
LCCC E Suffix	- 40° C to + 85° C - 55° C to + 125° C	TS684483VE TS 6B4483ME

This is advance information and specifications are subject to change without notice
Please inquire with our sales offices about the availability of the different packages.