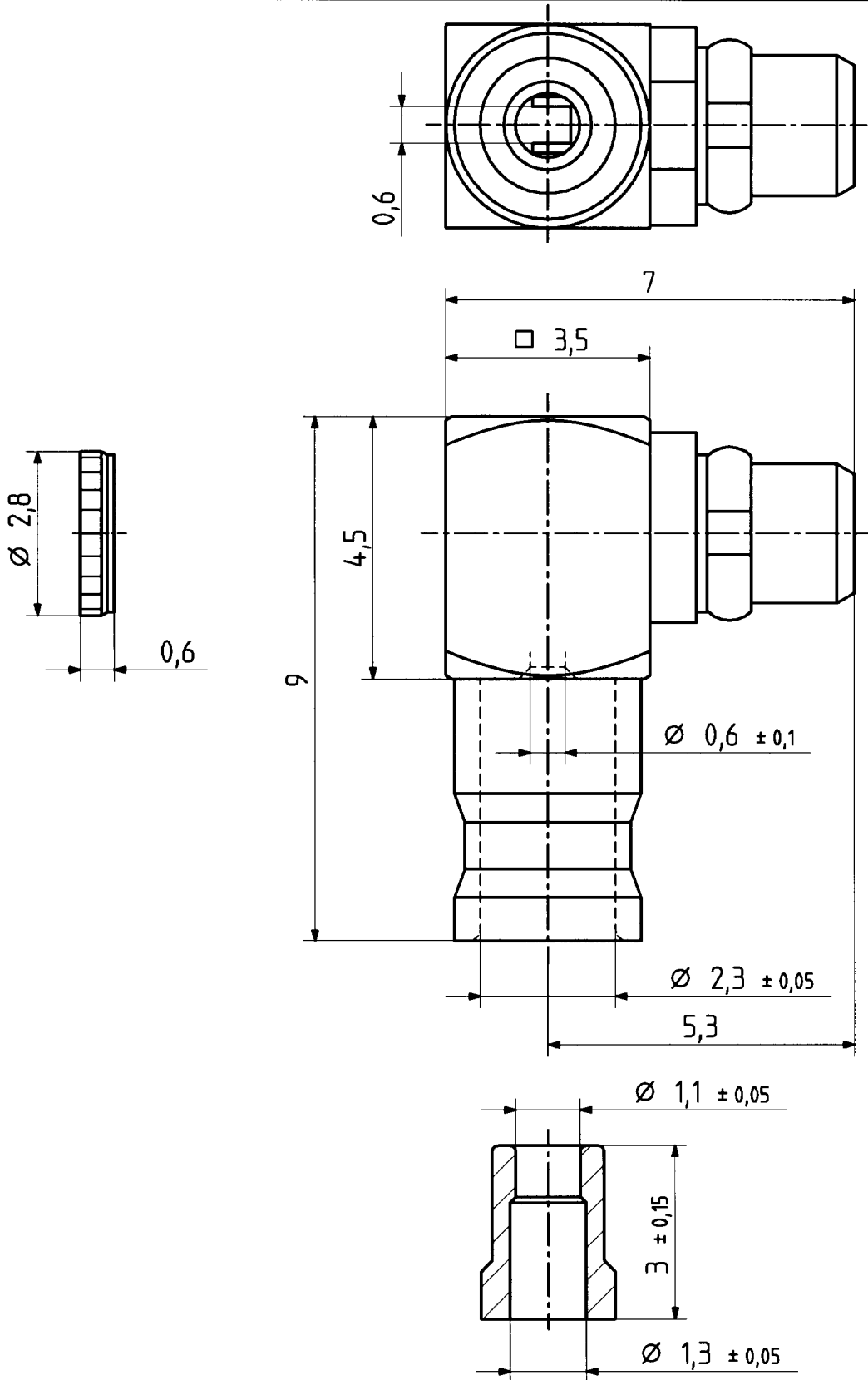


This drawing is copyright. Information contained thereon is supplied in confidence and must not be used for any other purpose than which it was supplied, or be reproduced without written permission of the owners.

Diese Zeichnung ist unser geistiges Eigentum und darf ohne unsere ausdrückliche Einwilligung weder kopiert, vervielfältigt, noch Dritten oder Konkurrenzfirmen zugänglich gemacht werden. (Art. 12 B.G.)

# 16 MMCX - 50 - 1 - 10

	Datum	Kurzz./Visum
Erstellt	04.07.00	4101/MUK
Geprüft	05.07.00	4662/H61
Freigabe	05.07.00	4662/H61



10 : 1



HUBER + SUHNER AG  
9100 Herisau

4.13.31199

a

**Order number:****Type:**

SUHNER Type:	16 MMCX-50-1-9 / 111 OE	<a href="#">Picture</a>
Order Number:	22658286	
Series:	MMCX	
Cable Type:	<a href="#">RG 178 B/U</a> , <a href="#">RG 196 A/U</a>	
Cable entry:		
□ outer contact:	crimped	
□ center contact:	soldered	
Electrical Data:		
Impedance:	50 □	
Frequency Range:	DC ... 6.00 GHz	
□ Material Data:	Material	Surface Plating
Centre contact:	Copper-Beryllium	Gold / nickel underplated
Outer contact:	Brass	Gold / not nickel underplated
Body:	Brass	Gold / not nickel underplated
Insulator:	PTFE/PFA	
Crimp Ferrule:	Brass	Gold / not nickel underplated
General Information:		
Interface according to:	SUHNER MMCX	
Weight:	n/a g/n/a oz	
Packaging:	Single	
Attachment:		
Outline drawing:	<a href="#">S31197</a>	
Assembly Instruction:	<a href="#">M27310</a>	