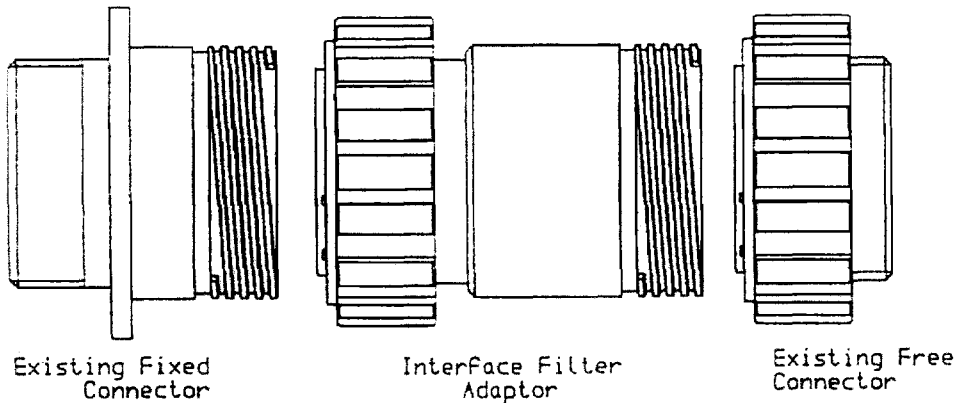


Pattern 608

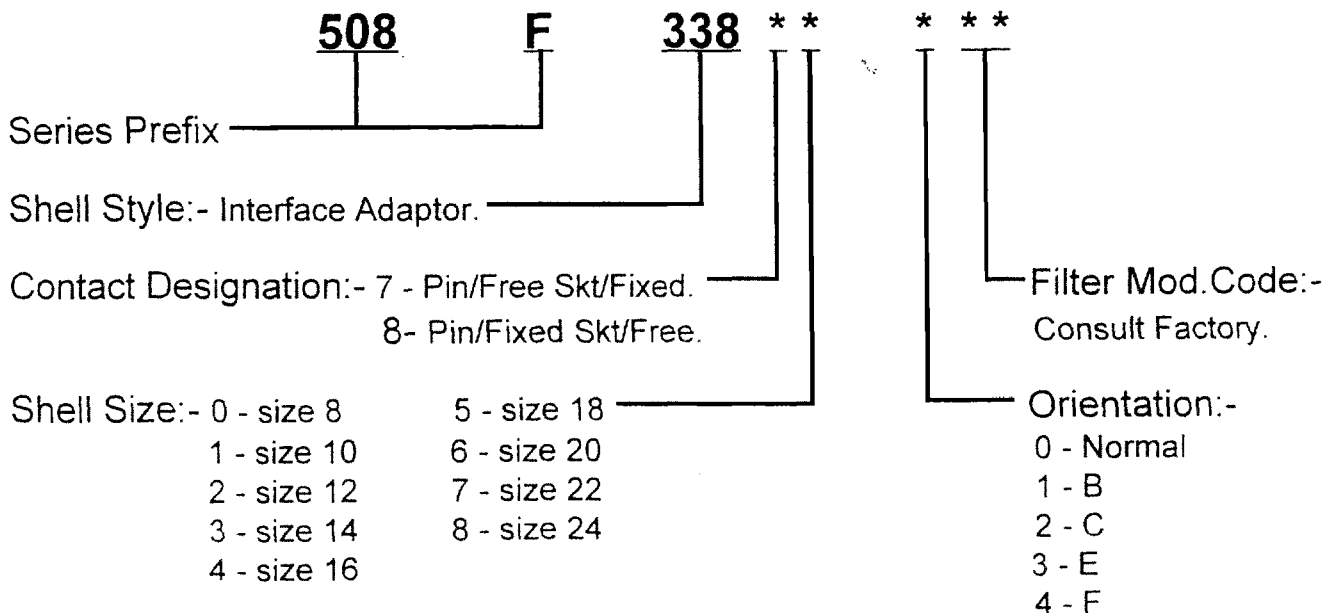
Mk18 Interface Filter Adaptor

Interface Filter Adaptors are designed to be an in-line engagement between existing fixed and free connectors, providing the filtering solution without modification to the equipment itself.

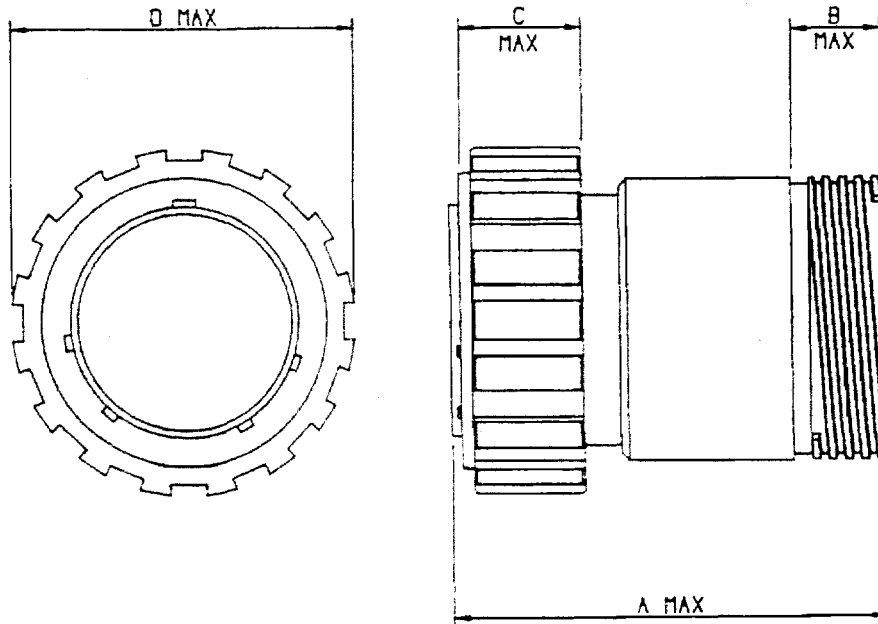
Filter Adaptors prove advantageous when equipments cannot be returned for modification. The adaptor is simply despatched to the location of the equipment and then installed by non-technical personnel.



Ordering Information



Interface Filter Adaptor.



Shell size	A max	B max	C max	D max
08	53.70	12.10	14.73	21.03
10	53.70	12.10	14.73	23.80
12	53.70	12.10	14.73	28.17
14	53.70	12.10	14.73	31.34
16	53.70	12.10	14.73	36.50
18	53.70	12.10	14.73	39.27
20	59.40	13.10	16.26	42.42
22	59.40	13.10	16.26	45.21
24	59.40	13.10	16.26	48.39

All dimensions in mm